

10EMC6 ✓ ACTIVE

Corcom | Corcom EMC

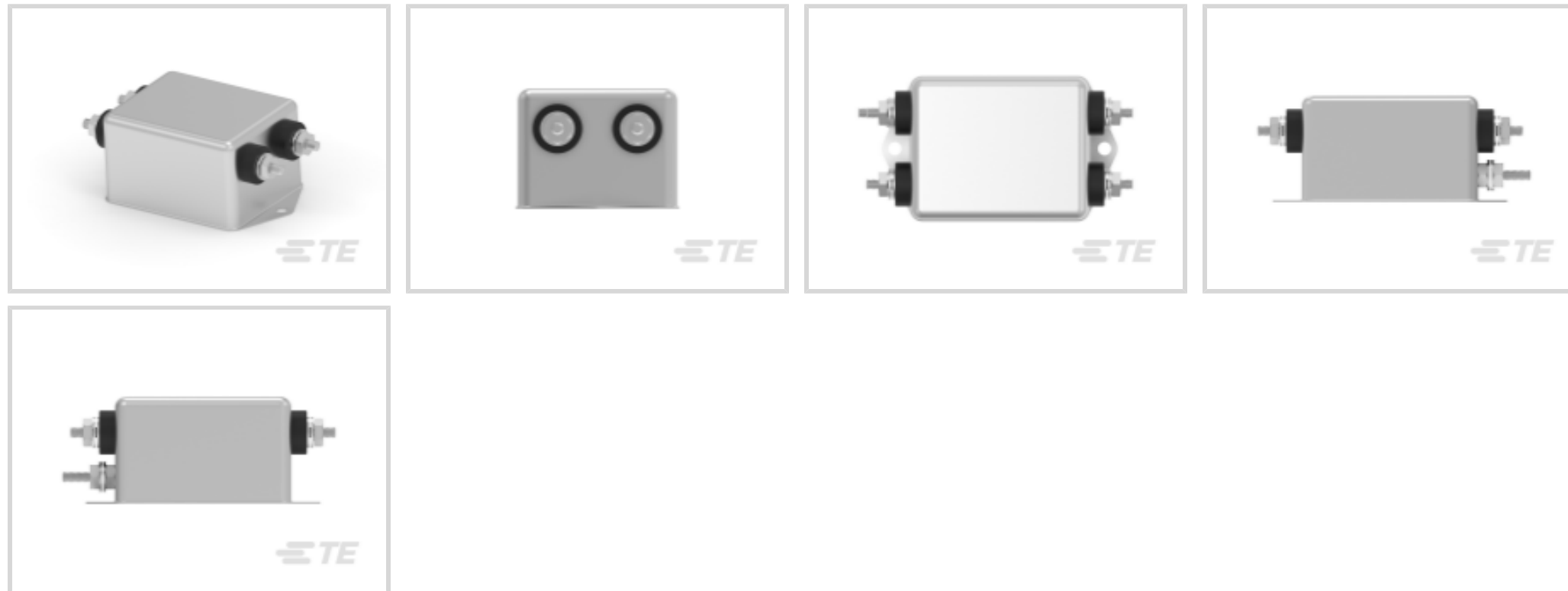
TE Internal #: 2-6609037-1

Single Phase Filters, 10A Current Rating, 8-32 Stud Input, 8-32 Stud Output, Corcom EMC

[View on TE.com >](#)



EMI & EMC Solutions > EMI Filters > Power Line Filters > Single Phase Filters > Single Phase Filters, Corcom EMC Series



Current Rating: 10 A

Input Termination Type: 8-32 Stud

Output Termination Type: 8-32 Stud

Leakage Current (Max) (120VAC, 60Hz): .21 mA

Leakage Current (Max) (250VAC, 50Hz): .36 mA

[All Single Phase Filters, Corcom EMC Series \(13\)](#)

Features

Product Type Features

Ground Choke Option	No
Filtering Requirements	Filtered
Input Termination Type	8-32 Stud
Output Termination Type	8-32 Stud

Electrical Characteristics

Operating Voltage	250 VAC
Current Rating	10 A
Leakage Current (Max) (120VAC, 60Hz)	.21 mA
Leakage Current (Max) (250VAC, 50Hz)	.36 mA

Mechanical Attachment

Panel Mount Feature Type	Flanged
--------------------------	---------

Usage Conditions

Operating Temperature Range	-10 – 40 °C
-----------------------------	-------------

Product Compliance

[For compliance documentation, visit the product page on TE.com>](#)

EU RoHS Directive 2011/65/EU	Compliant
EU ELV Directive 2000/53/EC	Compliant
China RoHS 2 Directive MIIT Order No 32, 2016	No Restricted Materials Above Threshold
EU REACH Regulation (EC) No. 1907/2006	Current ECHA Candidate List: JUNE 2023 (235) Candidate List Declared Against: JUNE 2023 (235) Does not contain REACH SVHC
Halogen Content	Not Low Halogen - contains Br or Cl > 900 ppm.
Solder Process Capability	Not applicable for solder process capability

Product Compliance Disclaimer

This information is provided based on reasonable inquiry of our suppliers and represents our current actual knowledge based on the information they provided. This information is subject to change. The part numbers that TE has identified as EU RoHS compliant have a maximum concentration of 0.1% by weight in homogenous materials for lead, hexavalent chromium, mercury, PBB, PBDE, DBP, BBP, DEHP, DIBP, and 0.01% for cadmium, or qualify for an exemption to these limits as defined in the Annexes of Directive 2011/65/EU (RoHS2). Finished electrical and electronic equipment products will be CE marked as required by Directive 2011/65/EU. Components may not be CE marked. Additionally, the part numbers that TE has identified as EU ELV compliant have a maximum concentration of 0.1% by weight in homogenous materials for lead, hexavalent chromium, and mercury, and 0.01% for cadmium, or qualify for an exemption to these limits as defined in the Annexes of Directive 2000/53/EC (ELV). Regarding the REACH Regulation, the information TE provides on SVHC in articles for this part number is based on the latest European Chemicals Agency (ECHA) 'Guidance on requirements for substances in articles' posted at this URL: <https://echa.europa.eu/guidance-documents/guidance-on-reach>

Compatible Parts



Also in the Series | [Corcom EMC](#)

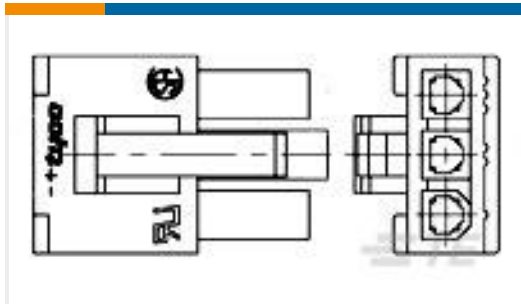


Single Phase Filters(13)

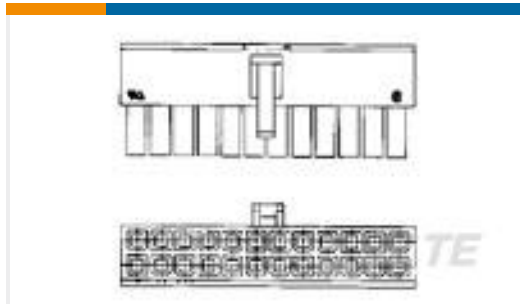
Customers Also Bought



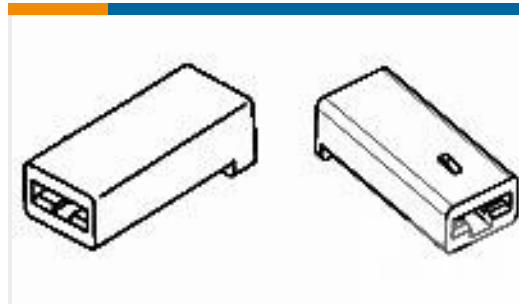
TE Part #211398-4
CPC RECPT. SIZE 13-7, THRD INST



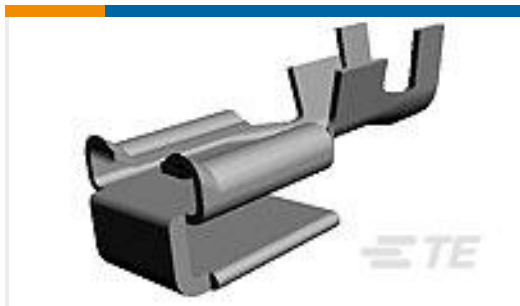
TE Part #1586106-3
3P RCPT VAL-U-LOK SR V0



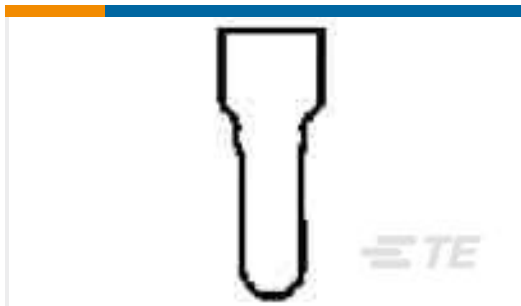
TE Part #1-1586019-0
10P RCPT VAL-U-LOK V0



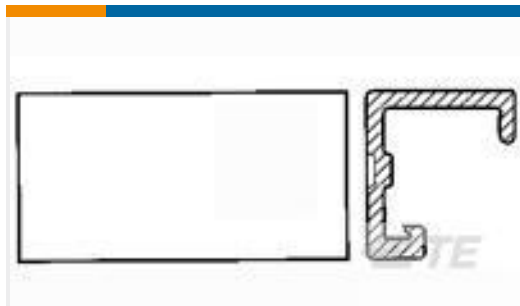
TE Part #480054-3
FF 250 REC HSG 1P NYLON NAT



TE Part #62109-1
250 FASTON REC 18-14 AWG BR



TE Part #53915-1
SPLICE, N CE 22-10



TE Part #640550-5
05P MTA100 COVER



TE Part #1650402-1
902-83-02113=SCREW, SHLDR, 8-32



TE Part #350981-2
RING 18-14 AWG PTPBR



TE Part #E45478-000
1330-0607-T200

Documents

Product Drawings

10EMC6=F8149

English

CAD Files

Customer View Model

ENG_CVM_CVM_2-6609037-1_C.3d_igs.zip

English

Customer View Model



[ENG_CVM_CVM_2-6609037-1_C.3d_stp.zip](#)

English

Customer View Model

[ENG_CVM_CVM_2-6609037-1_C.2d_dxf.zip](#)

English

3D PDF

3D

Customer View Model

[ENG_CVM_2-6609037-1_B.3d_igs.zip](#)

English

Customer View Model

[ENG_CVM_2-6609037-1_B.3d_stp.zip](#)

English

Customer View Model

[ENG_CVM_2-6609037-1_B.2d_dxf.zip](#)

English

3D PDF

English

By downloading the CAD file I accept and agree to the [Terms and Conditions](#) of use.

Datasheets & Catalog Pages

[1654001_CORCOM_PRODUCT_GUIDE](#)

English

[1654001_CORCOM_PRODUCT_GUIDE EMC SERIES](#)

English

[Corcom Combined Selector Charts](#)

English

[1-1654250-1_CORCOM_EMI_RFI_QRG](#)

English