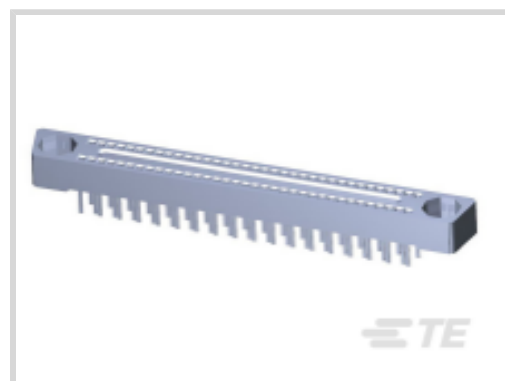




AMP

TE Internal #: 2-530745-2

PCB Mount Receptacle, Vertical, Board-to-Board, 128 Position, 1.27 mm [.05 in] Centerline, Gold, Through Hole - Solder, Sealable, Power & Signal, Gray

[View on TE.com >](#)
[Connectors > PCB Connectors > PCB Headers & Receptacles](#)
PCB Connector Assembly Type: **PCB Mount Receptacle**PCB Mount Orientation: **Vertical**Connector System: **Board-to-Board**Number of Positions: **128**Number of Rows: **2**

Features

Product Type Features

PCB Connector Assembly Type	PCB Mount Receptacle
Connector System	Board-to-Board
Sealable	Yes
Connector & Contact Terminates To	Printed Circuit Board

Configuration Features

Stackable	No
PCB Mount Orientation	Vertical
Number of Positions	128
Number of Rows	2

Electrical Characteristics

Dielectric Withstanding Voltage (Max)	600 VAC
---------------------------------------	---------

Body Features

Primary Product Color	Gray
-----------------------	------

Contact Features

Mating Square Post Dimension	.46 mm[.018 in]
Contact Layout	Staggered
PCB Contact Termination Area Plating Material	Tin-Lead



Contact Base Material	Beryllium Copper
Contact Mating Area Plating Material	Gold
Contact Mating Area Plating Material Thickness	1.27 μ m[50 μ in]
Contact Type	Socket
Contact Current Rating (Max)	1.5 A

Termination Features

Rectangular Termination Post & Tail Thickness	.2 mm[.008 in]
Rectangular Termination Post & Tail Width	.46 mm[.018 in]
Termination Post & Tail Length	3.56 mm, 4.83 mm[.14 in][.19 in]
Termination Method to Printed Circuit Board	Through Hole - Solder

Mechanical Attachment

Mating Alignment	With
Mating Alignment Type	Keyed
PCB Mount Retention	Without
PCB Mount Alignment	With
Connector Mounting Type	Board Mount

Housing Features

Centerline (Pitch)	1.27 mm[.05 in]
Housing Material	LCP (Liquid Crystal Polymer)

Dimensions

Connector Height	5.46 mm[.215 in]
Row-to-Row Spacing	3.81 mm[.15 in]
Stack Height	15.24 mm[.6 in]
PCB Thickness (Recommended)	.05 – .07 mm[.054 – .07 in]

Usage Conditions

Operating Temperature Range	-65 – 125 °C[-85 – 257 °F]
-----------------------------	----------------------------

Operation/Application

Assembly Process Feature	None
Circuit Application	Power & Signal

Industry Standards

UL Flammability Rating	UL 94V-0
------------------------	----------

Packaging Features



Packaging Quantity	2
Packaging Type	Package

Product Compliance

[For compliance documentation, visit the product page on TE.com>](#)

EU RoHS Directive 2011/65/EU	Not Compliant
EU ELV Directive 2000/53/EC	Not Yet Reviewed
China RoHS 2 Directive MIIT Order No 32, 2016	Restricted Materials Above Threshold
EU REACH Regulation (EC) No. 1907/2006	Current ECHA Candidate List: JAN 2023 (233) Candidate List Declared Against: JUNE 2022 (224) SVHC > Threshold: Pb (4% in plating) Article Safe Usage Statements: Do not eat, drink or smoke when using this product. Wash thoroughly after handling. Recycle if possible and dispose of the article by following all applicable governmental regulations relevant to your geographic location.
Halogen Content	Low Halogen - Br, Cl, F, I < 900 ppm per homogenous material. Also BFR/CFR/PVC Free
Solder Process Capability	Wave solder capable to 265°C

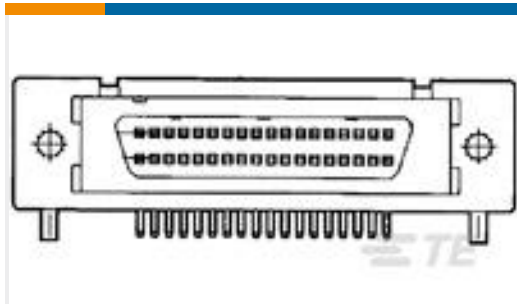
Product Compliance Disclaimer

This information is provided based on reasonable inquiry of our suppliers and represents our current actual knowledge based on the information they provided. This information is subject to change. The part numbers that TE has identified as EU RoHS compliant have a maximum concentration of 0.1% by weight in homogenous materials for lead, hexavalent chromium, mercury, PBB, PBDE, DBP, BBP, DEHP, DIBP, and 0.01% for cadmium, or qualify for an exemption to these limits as defined in the Annexes of Directive 2011/65/EU (RoHS2). Finished electrical and electronic equipment products will be CE marked as required by Directive 2011/65/EU. Components may not be CE marked. Additionally, the part numbers that TE has identified as EU ELV compliant have a maximum concentration of 0.1% by weight in homogenous materials for lead, hexavalent chromium, and mercury, and 0.01% for cadmium, or qualify for an exemption to these limits as defined in the Annexes of Directive 2000/53/EC (ELV). Regarding the REACH Regulation, the information TE provides on SVHC in articles for this part number is based on the latest European Chemicals Agency (ECHA) 'Guidance on requirements for substances in articles' posted at this URL: <https://echa.europa.eu/guidance-documents/guidance-on-reach>

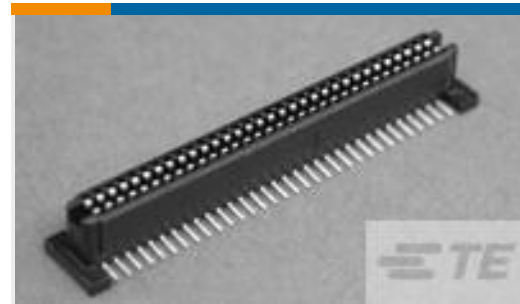
Compatible Parts



Customers Also Bought



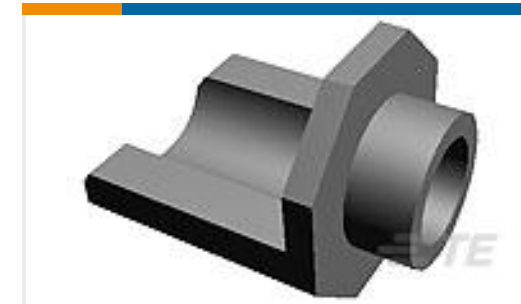
TE Part #2-5174225-5
AMPLIMITE 050-2B HOR 68P M2.5



TE Part #120521-1
1FHR,64,30A/P,S,N,S08,09,10



TE Part #1410187-3
MULTIGIG RT T2 7RW DC DF CT



TE Part #530721-1
MINI BOX EXTERNAL KEY PASSIV



TE Part #1622866-1
CRG0603 1% 1K0



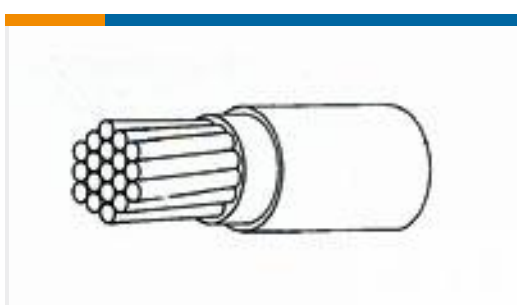
TE Part #643414-1
03P UMNL HDR ASSY POL 94VO



TE Part #31895
PIDG R 22-16COMM 22-18MIL 5/16



TE Part #2-592404-1
5000-027-0020



TE Part #218247-001
22759/34-10-9

Documents

Product Drawings

[MINI BX RECPT ASSY 128P SEALED](#)

English

CAD Files

[3D PDF](#)

3D

Customer View Model

[ENG_CVM_CVM_2-530745-2_AC.2d_dxf.zip](#)

English

Customer View Model

[ENG_CVM_CVM_2-530745-2_AC.3d_igs.zip](#)

English

Customer View Model

[ENG_CVM_CVM_2-530745-2_AC.3d_stp.zip](#)

English

By downloading the CAD file I accept and agree to the [Terms and Conditions](#) of use.

2-530745-2

PCB Mount Receptacle, Vertical, Board-to-Board, 128 Position, 1.27 mm [.05 in]
Centerline, Gold, Through Hole - Solder, Sealable, Power & Signal, Gray



[Datasheets & Catalog Pages](#)

[Products for Aerospace and Defense](#)

English