



CHAMP | CHAMP Docking Connectors

TE Internal #: 2-5229913-1

IDC D-Sub Connectors, Receptacle, 26 – 24 AWG Solid Wire Size, .

13 – .32 mm² Solid Wire Size, .33 mm² Stranded Wire, CHAMP

Docking Connectors

[View on TE.com >](#)

Connectors > D-Shaped Connectors > D-Sub Connectors > IDC D-Sub Connectors > IDC D-Sub: Receptacle Kit, Signal, 50, 2.16 mm



Connector & Housing Type: **Receptacle**

Solid Wire Size: **.13 – .32 mm²**

Stranded Wire Size: **.33 mm²**

[All IDC D-Sub: Receptacle Kit, Signal, 50, 2.16 mm \(10\)](#)

Features

Product Type Features

Connector Kit Type	Connector Kit
Connector & Housing Type	Receptacle
Connector System	Cable-to-Board, Cable-to-Cable
Connector Product Type	Connector Kit
Connector & Contact Terminates To	Wire & Cable

Configuration Features

Number of Positions	50
Number of Rows	2
Compatible With Wire & Cable Type	Discrete Wire, Round Jacketed Cable

Body Features

Connector Profile	Standard
-------------------	----------

Contact Features

Contact Mating Area Plating Material Thickness	.76 μm[30 μin]
Contact Mating Area Plating Material	Gold or Gold Flash over Palladium Nickel
Contact Underplating Material	Palladium Nickel
Contact Base Material	Copper Alloy
Contact Current Rating (Max)	.5 A, 1 A

Mechanical Attachment



Mating Retention	With
Mating Retention Type	Screwlocks
Thread Size	4-40
Connector Mounting Type	Cable Mount (Free-Hanging)

Housing Features

Housing Material	Polyphenylene Oxide
Centerline (Pitch)	2.16 mm[.085 in]

Dimensions

Accepts Cable Diameter (Max)	12.7 mm[.5 in]
Accepts Cable Insulation Diameter Range	10.8 – 12.7 mm[.425 – .5 in]
Compatible Insulation Diameter (Max)	1.14 mm[.045 in]
Solid Wire Size	.13 – .32 mm ²
Stranded Wire Size	.33 mm ²
Wire Size	26 – 24 AWG

Usage Conditions

Operating Temperature Range	-40 – 75 °C[-40 – 167 °F]
-----------------------------	---------------------------

Operation/Application

Shielded	Yes
Circuit Application	Signal

Packaging Features

Packaging Quantity	1
Packaging Method	Bag

Product Compliance

[For compliance documentation, visit the product page on TE.com>](#)

EU RoHS Directive 2011/65/EU	Compliant
EU ELV Directive 2000/53/EC	Compliant
China RoHS 2 Directive MIIT Order No 32, 2016	No Restricted Materials Above Threshold
EU REACH Regulation (EC) No. 1907/2006	Current ECHA Candidate List: JUNE 2023 (235) Candidate List Declared Against: JAN 2022 (223) Does not contain REACH SVHC
Halogen Content	Not Low Halogen - contains Br or Cl > 900

	ppm.
Solder Process Capability	Not applicable for solder process capability

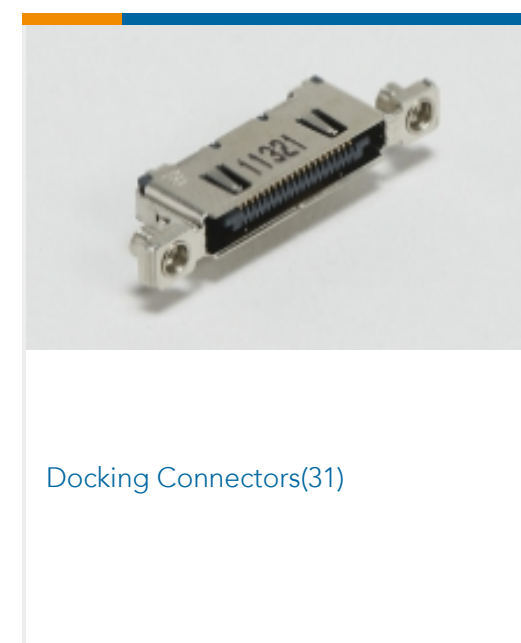
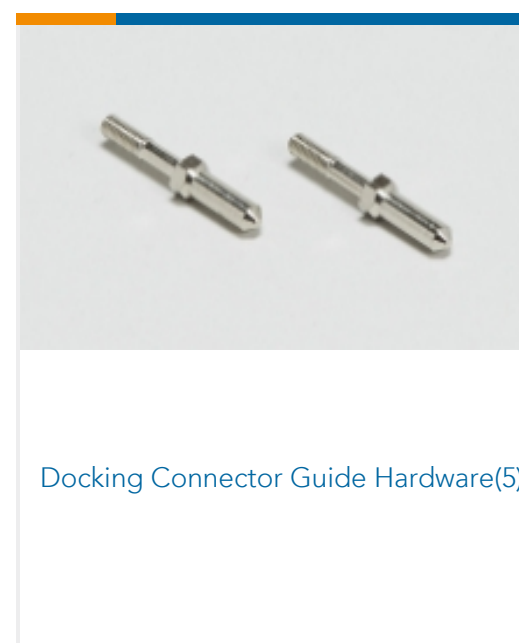
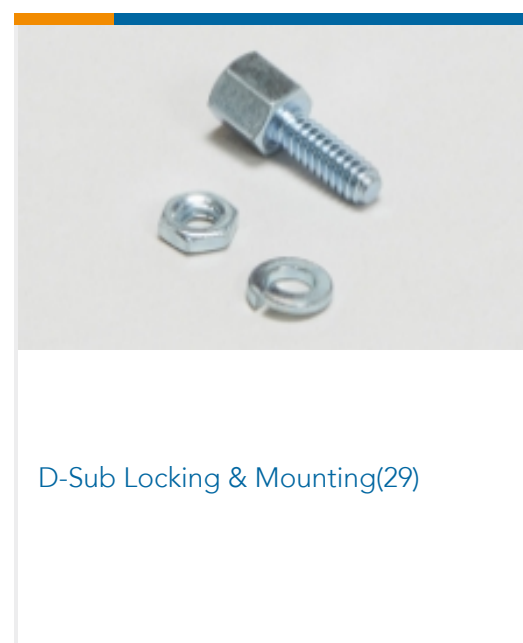
Product Compliance Disclaimer

This information is provided based on reasonable inquiry of our suppliers and represents our current actual knowledge based on the information they provided. This information is subject to change. The part numbers that TE has identified as EU RoHS compliant have a maximum concentration of 0.1% by weight in homogenous materials for lead, hexavalent chromium, mercury, PBB, PBDE, DBP, BBP, DEHP, DIBP, and 0.01% for cadmium, or qualify for an exemption to these limits as defined in the Annexes of Directive 2011/65/EU (RoHS2). Finished electrical and electronic equipment products will be CE marked as required by Directive 2011/65/EU. Components may not be CE marked. Additionally, the part numbers that TE has identified as EU ELV compliant have a maximum concentration of 0.1% by weight in homogenous materials for lead, hexavalent chromium, and mercury, and 0.01% for cadmium, or qualify for an exemption to these limits as defined in the Annexes of Directive 2000/53/EC (ELV). Regarding the REACH Regulation, the information TE provides on SVHC in articles for this part number is based on the latest European Chemicals Agency (ECHA) 'Guidance on requirements for substances in articles' posted at this URL: <https://echa.europa.eu/guidance-documents/guidance-on-reach>

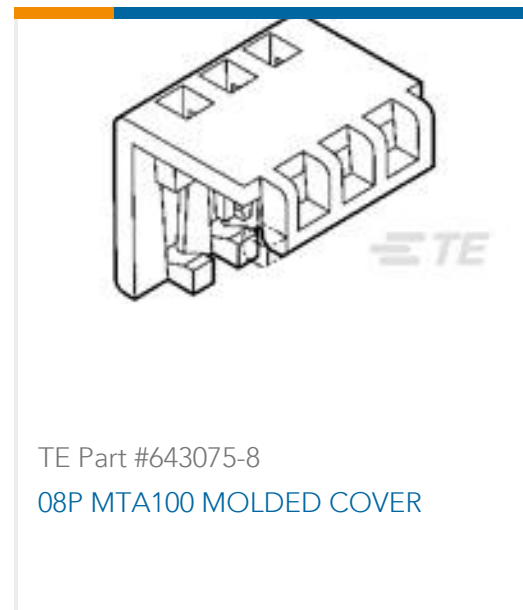
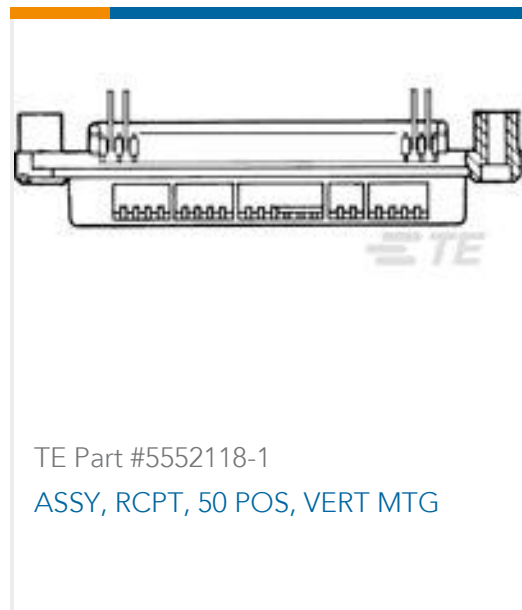
Compatible Parts



Also in the Series | CHAMP Docking Connectors



Customers Also Bought



Documents

Product Drawings

KIT, RCPT, 50 POS, B SLOT

English

CAD Files

Customer View Model

[ENG_CVM_CVM_2-5229913-1_O.2d_dxf.zip](#)

English

3D PDF

3D

Customer View Model

[ENG_CVM_CVM_2-5229913-1_O.3d_igs.zip](#)

English

Customer View Model

[ENG_CVM_CVM_2-5229913-1_O.3d_stp.zip](#)

English

By downloading the CAD file I accept and agree to the [Terms and Conditions](#) of use.