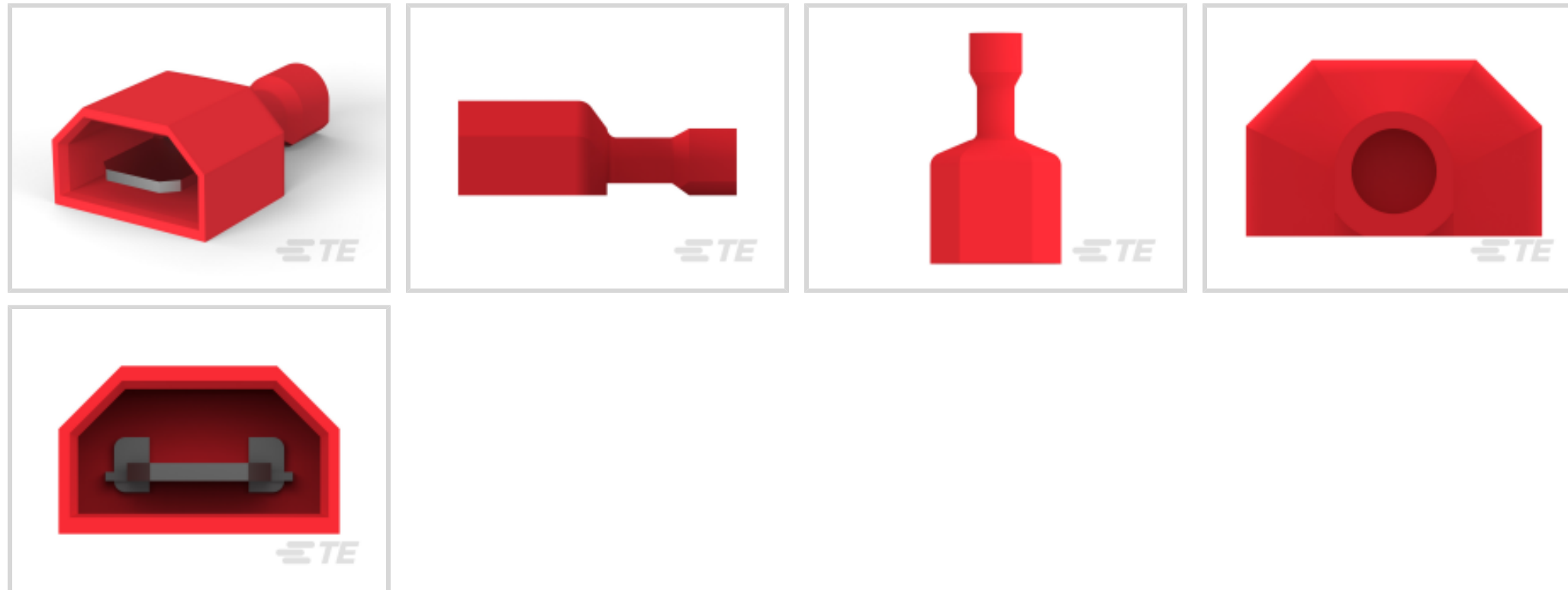




Terminals & Splices > Quick Disconnects



Quick Disconnect Terminal Type: **Tab**

Wire Size: **.32 – .82 mm²**

Mating Tab Width: **6.35 mm [.25 in]**

Mating Tab Thickness: **.81 mm [.032 in]**

Features

Product Type Features

Insertion Force	Normal
-----------------	--------

Configuration Features

Connection Capacity	Single
Compatible With Wire & Cable Type	Discrete Wire

Electrical Characteristics

Voltage Rating	600 V
----------------	-------

Body Features

Insulation Material	Nylon
---------------------	-------

Contact Features

Quick Disconnect Terminal Type	Tab
Mating Tab Width	6.35 mm [.25 in]
Mating Tab Thickness	.81 mm [.032 in]
Terminal Orientation	Straight
Contact Base Material	Brass



Terminal Plating Material	Tin
---------------------------	-----

Crimp Type	F-Crimp
------------	---------

Barrel Type	Closed
-------------	--------

Termination Features

Product Terminates To	Wire & Cable
-----------------------	--------------

Mechanical Attachment

Wire Insulation Support	With
-------------------------	------

Mating Retention Type	Dimple
-----------------------	--------

Dimensions

Terminal Material Thickness	.41 mm[.016 in]
-----------------------------	-----------------

Product Length	21.75 mm[.855 in]
----------------	-------------------

Compatible Insulation Diameter Range	3.43 mm[.135 in]
--------------------------------------	------------------

Wire Size	.32 – .82 mm ²
-----------	---------------------------

Usage Conditions

Insulation Option	Fully Insulated
-------------------	-----------------

Operating Temperature Range	-40 – 110 °C[-40 – 230 °F]
-----------------------------	----------------------------

Industry Standards

Agency/Standard	UL
-----------------	----

UL Flammability Rating	UL 94V-2
------------------------	----------

Packaging Features

Packaging Quantity	1000
--------------------	------

Packaging Method	Loose Piece/Carton
------------------	--------------------

Other

Barrel Color	Red
--------------	-----

Product Compliance

[For compliance documentation, visit the product page on TE.com>](#)

EU RoHS Directive 2011/65/EU	Compliant
------------------------------	-----------

EU ELV Directive 2000/53/EC	Compliant
-----------------------------	-----------

China RoHS 2 Directive MIIT Order No 32, 2016	No Restricted Materials Above Threshold
---	---

EU REACH Regulation (EC) No. 1907/2006	Current ECHA Candidate List: JUNE 2023 (235)
--	---



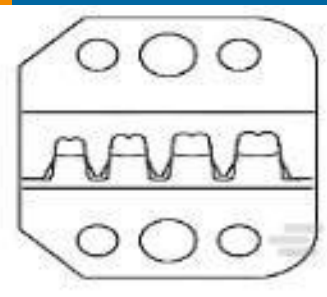
Candidate List Declared Against: JUNE 2023 (235)
Does not contain REACH SVHC

Halogen Content	Low Halogen - Br, Cl, F, I < 900 ppm per homogenous material. Also BFR/CFR/PVC Free
Solder Process Capability	Not applicable for solder process capability

Product Compliance Disclaimer

This information is provided based on reasonable inquiry of our suppliers and represents our current actual knowledge based on the information they provided. This information is subject to change. The part numbers that TE has identified as EU RoHS compliant have a maximum concentration of 0.1% by weight in homogenous materials for lead, hexavalent chromium, mercury, PBB, PBDE, DBP, BBP, DEHP, DIBP, and 0.01% for cadmium, or qualify for an exemption to these limits as defined in the Annexes of Directive 2011/65/EU (RoHS2). Finished electrical and electronic equipment products will be CE marked as required by Directive 2011/65/EU. Components may not be CE marked. Additionally, the part numbers that TE has identified as EU ELV compliant have a maximum concentration of 0.1% by weight in homogenous materials for lead, hexavalent chromium, and mercury, and 0.01% for cadmium, or qualify for an exemption to these limits as defined in the Annexes of Directive 2000/53/EC (ELV). Regarding the REACH Regulation, the information TE provides on SVHC in articles for this part number is based on the latest European Chemicals Agency (ECHA) 'Guidance on requirements for substances in articles' posted at this URL: <https://echa.europa.eu/guidance-documents/guidance-on-reach>

Compatible Parts



TE Part # 58628-2
PROCIMP DIESET 26-14 ULTRAFAST



TE Part # 90390-3
DIES ULTRA-FAST FASTON 22-18 DIE SET



TE Part # 58628-1
PROCIMP T&D 26-14 ULTRAFAST

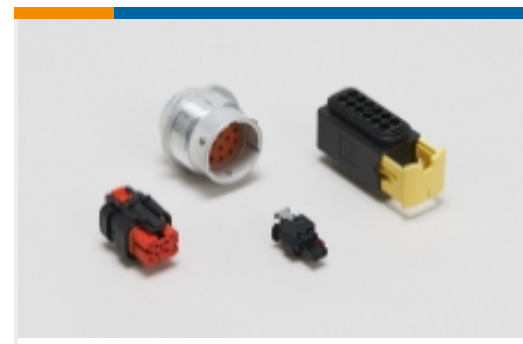


TE Part # 2217481-1
KIT, BTLI, SDE CLOSED HEAD



TE Part # 2217481-2
KIT, BTLI, SDE CLOSED HEAD

Also in the Series | **Ultra-Fast 250**

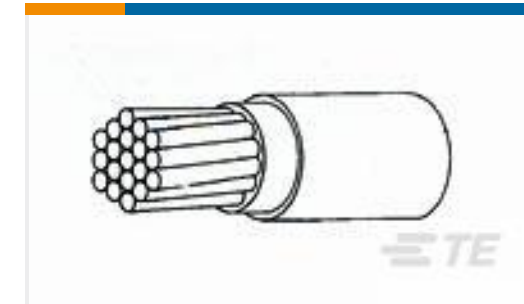
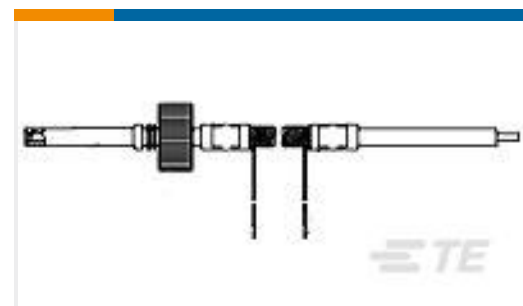
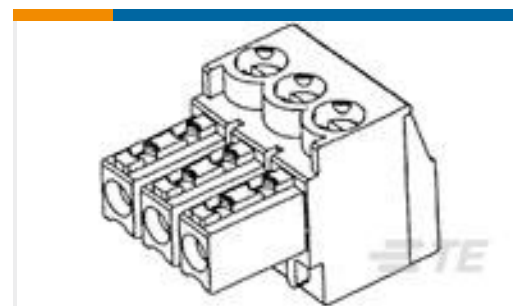
Automotive Connector Caps & Covers
(1)

Automotive Housings(6)



Quick Disconnects(49)

Customers Also Bought

TE Part #6609047-2
10VT3=F7330 S0TE Part #E62131-000
RNF-100-MINI-SPL-1-BKTE Part #YDTS26Z19-11PNV001
PLUG ASSYTE Part #2810113006
44/7031-24-0TE Part #640007-3
RING TERMINAL 16-14 AWG TPBRTE Part #2-848076-5
LEAD ASY,LGH3,SHLD W/GLAS BRAITE Part #284506-7
7 POS TERMI-BLOK PLUG STACK 3,TE Part #3-2317404-1
AV19 SPM 3A FIXED RING R&G 24V FLTE Part #NB14644001
VERSAFIT-3X-1/4-0-SPTE Part #8-135512-6
47 WAY ABS CONNECTOR

Documents

Product Drawings

ULTRA-FAST 250 ASSEMBLY TAB 22-18 AWG BR

English

CAD Files

3D PDF

3D

Customer View Model

ENG_CVM_CVM_2-520103-2_C.2d_dxf.zip



English

Customer View Model

[ENG_CVM_CVM_2-520103-2_C.3d_igs.zip](#)

English

Customer View Model

[ENG_CVM_CVM_2-520103-2_C.3d_stp.zip](#)

English

By downloading the CAD file I accept and agree to the [Terms and Conditions](#) of use.

Datasheets & Catalog Pages

[Ultra-Fast and Ultra Fast Plus](#)

English

Product Specifications

[Application Specification](#)

English

Product Environmental Compliance

[Product Compliance Document](#)

English

[Product Compliance Document](#)

English

Agency Approvals

[UL](#)

English