

2-520080-2 ✓ ACTIVE

Ultra-Fast | Ultra-Fast 110

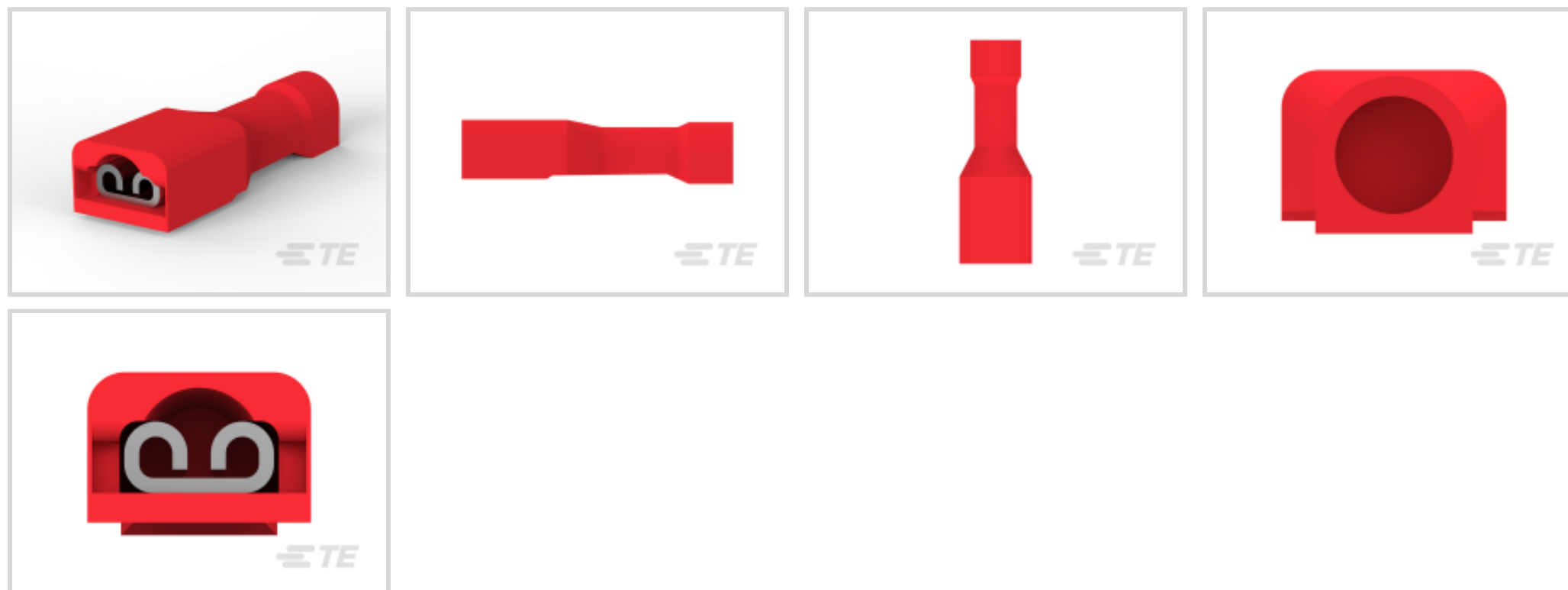
TE Internal #: 2-520080-2

Quick Disconnects, Receptacle, 22 – 18 AWG Wire Size, .32 – .82 mm<sup>2</sup> Wire Size, Mating Tab Width 3.18 mm / 2.8 mm [.11 in / .125 in], Ultra-Fast 110

[View on TE.com >](#)



Terminals & Splices > Quick Disconnects



Quick Disconnect Terminal Type: **Receptacle**

Wire Size: .32 – .82 mm<sup>2</sup>

Mating Tab Width: 2.8 mm, 3.18 mm [.11 in, .125 in]

Mating Tab Thickness: .41 mm [.016 in]

## Features

### Product Type Features

Terminal Features	Wire Stop
Insertion Force	Normal

### Configuration Features

Connection Capacity	Single
Compatible With Wire & Cable Type	Discrete Wire

### Electrical Characteristics

Voltage Rating	600 V
----------------	-------

### Body Features

Insulation Material	Nylon
---------------------	-------

### Contact Features

Quick Disconnect Terminal Type	Receptacle
Mating Tab Width	2.8 mm, 3.18 mm [.11 in] [.125 in]
Mating Tab Thickness	.41 mm [.016 in]
Terminal Orientation	Straight



Contact Base Material	Brass
Terminal Plating Material	Tin
Crimp Type	F-Crimp
Barrel Type	Closed

### Termination Features

Product Terminates To	Wire & Cable
-----------------------	--------------

### Mechanical Attachment

Wire Insulation Support	With
Mating Retention Type	Dimple

### Dimensions

Terminal Material Thickness	.41 mm[.016 in]
Product Length	18.67 mm[.735 in]
Compatible Insulation Diameter Range	3.05 mm[.12 in]
Wire Size	.32 – .82 mm <sup>2</sup>

### Usage Conditions

Insulation Option	Fully Insulated
Operating Temperature Range	-40 – 110 °C[-40 – 230 °F]

### Industry Standards

Agency/Standard	UL
UL Flammability Rating	UL 94V-2

### Packaging Features

Packaging Quantity	3000
Packaging Method	Strip/Reel

### Other

Barrel Color	Red
--------------	-----

### Product Compliance

[For compliance documentation, visit the product page on TE.com>](#)

EU RoHS Directive 2011/65/EU	Compliant
EU ELV Directive 2000/53/EC	Compliant
China RoHS 2 Directive MIIT Order No 32, 2016	No Restricted Materials Above Threshold
EU REACH Regulation (EC) No. 1907/2006	



Current ECHA Candidate List: JUNE 2023 (235)

Candidate List Declared Against: JUNE 2023 (235)

Does not contain REACH SVHC

Halogen Content

Low Halogen - Br, Cl, F, I < 900 ppm per homogenous material. Also BFR/CFR/PVC Free

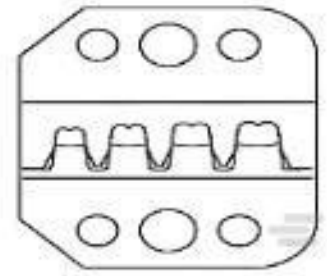
Solder Process Capability

Not applicable for solder process capability

Product Compliance Disclaimer

This information is provided based on reasonable inquiry of our suppliers and represents our current actual knowledge based on the information they provided. This information is subject to change. The part numbers that TE has identified as EU RoHS compliant have a maximum concentration of 0.1% by weight in homogenous materials for lead, hexavalent chromium, mercury, PBB, PBDE, DBP, BBP, DEHP, DIBP, and 0.01% for cadmium, or qualify for an exemption to these limits as defined in the Annexes of Directive 2011/65/EU (RoHS2). Finished electrical and electronic equipment products will be CE marked as required by Directive 2011/65/EU. Components may not be CE marked. Additionally, the part numbers that TE has identified as EU ELV compliant have a maximum concentration of 0.1% by weight in homogenous materials for lead, hexavalent chromium, and mercury, and 0.01% for cadmium, or qualify for an exemption to these limits as defined in the Annexes of Directive 2000/53/EC (ELV). Regarding the REACH Regulation, the information TE provides on SVHC in articles for this part number is based on the latest European Chemicals Agency (ECHA) 'Guidance on requirements for substances in articles' posted at this URL: <https://echa.europa.eu/guidance-documents/guidance-on-reach>

## Compatible Parts



TE Part # 58628-2  
PROCIMP DIESET 26-14 ULTRAFAST



TE Part # 90390-3  
DIES ULTRA-FAST FASTON 22-18 DIE SET



TE Part # 58628-1  
PROCIMP T&D 26-14 ULTRAFAST



TE Part # 2151698-2  
OCEAN\_2.0\_APPLICATOR-S-FA-176O



TE Part # 7-2151698-2  
OCEAN\_2.0\_APPLICATOR-S-FA-176O



TE Part # 7-2151698-7  
OCEAN\_2.0\_SPARE\_PART\_KIT-176O

Also in the Series | **Ultra-Fast 110**



Quick Disconnects(14)

### Customers Also Bought



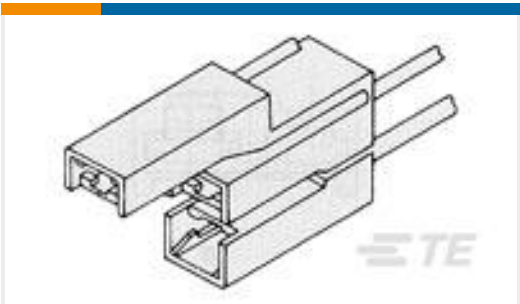
TE Part #8-1879233-5  
SMW5 330R 5%



TE Part #647000-3  
03P MTA100 PSTD CONN ASSY SN



TE Part #T4062123004-004  
RPC-M8-4MS-3.0SH-M8-4FS-PUR



TE Part #360010-1  
187 FASTON HSG.,REC.,3 POS,  
NATURAL



TE Part #53241-2  
PG SPR SPD 22-16COMM 22-18MIL8



TE Part #52957-3  
TERMINAL,PG SPR SPD 16-14 10



TE Part #1969442-3  
EP 2.5 TPA Housing, 3 Pos



TE Part #1-770007-0  
UMNL II PIN AUSN/NI/BR



TE Part #31265  
BUDG R 22-16 COMM 22-18 MIL 8

### Documents

#### Product Drawings

[ULTRA-FAST .110/.125 ASY REC 22-18 TPBR](#)

English

#### CAD Files

[3D PDF](#)

[3D](#)

#### Customer View Model

[ENG\\_CVM\\_CVM\\_2-520080-2\\_P.2d\\_dxf.zip](#)



English

**Customer View Model**

[ENG\\_CVM\\_CVM\\_2-520080-2\\_P.3d\\_igs.zip](#)

English

**Customer View Model**

[ENG\\_CVM\\_CVM\\_2-520080-2\\_P.3d\\_stp.zip](#)

English

By downloading the CAD file I accept and agree to the [Terms and Conditions](#) of use.

---

**Datasheets & Catalog Pages**

[Ultra-Fast and Ultra Fast Plus](#)

English

---

**Product Specifications**

[Application Specification](#)

English

---

**Product Environmental Compliance**

[MD\\_2-520080-2\\_03202018314\\_dmtec](#)

English

[MD\\_2-520080-2\\_03202018314\\_dmtec](#)

English

---

**Agency Approvals**

[Agency Approval Document](#)

English