

2-380935-0 ✓ ACTIVE

AMP

TE Internal #: 2-380935-0

Rectangular Connector Hardware, Grommet, -55 – 85 °C [-67 – 185 °F]

[View on TE.com >](#)



Connectors > Rectangular Connectors > Rectangular Connector Accessories > Rectangular Connector Hardware



Connector Hardware Type: **Grommet**

Operating Temperature Range: -55 – 85 °C [-67 – 185 °F]

## Features

### Body Features

|                          |              |
|--------------------------|--------------|
| Primary Product Material | Flexible PVC |
| Primary Product Color    | Black        |

### Mechanical Attachment

|                         |         |
|-------------------------|---------|
| Connector Hardware Type | Grommet |
|-------------------------|---------|

### Dimensions

|                |                   |
|----------------|-------------------|
| Product Length | 14.27 mm[.562 in] |
| Product Height | 12.7 mm[.5 in]    |

### Usage Conditions

|                             |                           |
|-----------------------------|---------------------------|
| Operating Temperature Range | -55 – 85 °C[-67 – 185 °F] |
|-----------------------------|---------------------------|

### Packaging Features

|                    |         |
|--------------------|---------|
| Packaging Quantity | 1       |
| Packaging Method   | Package |

## Product Compliance

[For compliance documentation, visit the product page on TE.com>](#)

|                              |           |
|------------------------------|-----------|
| EU RoHS Directive 2011/65/EU | Compliant |
|------------------------------|-----------|

|   |   |
|---|---|
| EU ELV Directive 2000/53/EC                   | Compliant   |
| China RoHS 2 Directive MIIT Order No 32, 2016 | No Restricted Materials Above Threshold   |
| EU REACH Regulation (EC) No. 1907/2006        | Current ECHA Candidate List: JUNE 2023 (235)<br>Candidate List Declared Against: JUNE 2023 (235)<br>Does not contain REACH SVHC |
| Halogen Content                               | Not Low Halogen - contains Br or Cl > 900 ppm.  |
| Solder Process Capability                     | Not applicable for solder process capability  |


Product Compliance Disclaimer

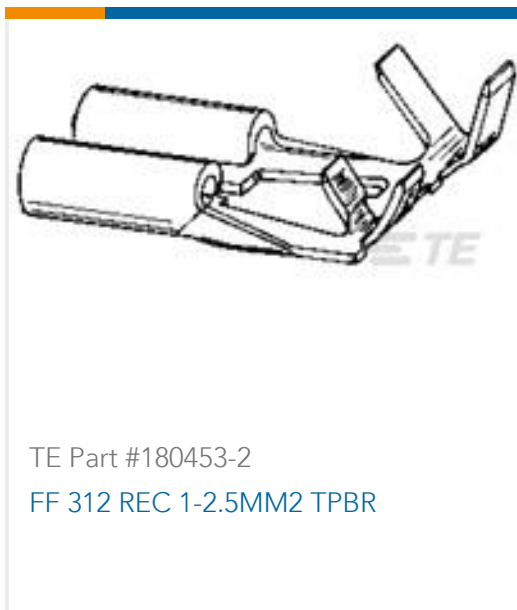
This information is provided based on reasonable inquiry of our suppliers and represents our current actual knowledge based on the information they provided. This information is subject to change. The part numbers that TE has identified as EU RoHS compliant have a maximum concentration of 0.1% by weight in homogenous materials for lead, hexavalent chromium, mercury, PBB, PBDE, DBP, BBP, DEHP, DIBP, and 0.01% for cadmium, or qualify for an exemption to these limits as defined in the Annexes of Directive 2011/65/EU (RoHS2). Finished electrical and electronic equipment products will be CE marked as required by Directive 2011/65/EU. Components may not be CE marked. Additionally, the part numbers that TE has identified as EU ELV compliant have a maximum concentration of 0.1% by weight in homogenous materials for lead, hexavalent chromium, and mercury, and 0.01% for cadmium, or qualify for an exemption to these limits as defined in the Annexes of Directive 2000/53/EC (ELV). Regarding the REACH Regulation, the information TE provides on SVHC in articles for this part number is based on the latest European Chemicals Agency (ECHA) 'Guidance on requirements for substances in articles' posted at this URL: <https://echa.europa.eu/guidance-documents/guidance-on-reach>

### Compatible Parts

|   |   |   |
|---|---|---|
|  <p>TE Part # 350524-1<br/>24P STR/REL HSG HNGD V0</p> |  <p>TE Part # 480634-1<br/>20P STR/REL HSG HNGD V0</p> |  <p>TE Part # 480594-1<br/>36P STR/REL HSG HNGD V0</p> |
|---|---|---|

### Customers Also Bought

|   |  |  |   |
|---|--|--|---|
|  <p>TE Part #TAA753A5501-020<br/>M12A5-FS-PUR-2.0M</p> |  <p>TE Part #2-34151-1<br/>PG R 22-16 COMM 22-18 MIL 5/16</p> |  <p>TE Part #42168-2<br/>SPRING SPADE TERMINAL 18-14 AWG TPBR</p> |  <p>TE Part #1-770904-1<br/>MINI UMNL SOK 22-18AWG AU LF</p> |
|---|--|--|---|



TE Part #180453-2  
FF 312 REC 1-2.5MM2 TPBR



TE Part #160684-4  
FF 110 REC 0.5-1.0MM2 TPBR



TE Part #170179-2  
205 FASTON, REC., 18-14 AWG, TPBR



TE Part #53832-1  
SOLIS SP SPD22-16COM22-18MIL10



TE Part #964310-1  
TAB A 5.8x0.8 CONTACT CF SWS Sn



TE Part #3-1415419-5  
0419 11 0301 00

## Documents

### Product Drawings

[MR SPLT GROMET .437 DIA BLK LF](#)

English

### CAD Files

[3D PDF](#)

3D

Customer View Model

[ENG\\_CVM\\_CVM\\_2-380935-0\\_P.2d\\_dxf.zip](#)

English

Customer View Model

[ENG\\_CVM\\_CVM\\_2-380935-0\\_P.3d\\_igs.zip](#)

English

Customer View Model

[ENG\\_CVM\\_CVM\\_2-380935-0\\_P.3d\\_stp.zip](#)

English

By downloading the CAD file I accept and agree to the [Terms and Conditions](#) of use.

### Datasheets & Catalog Pages

[SOFT\\_SHELL\\_PIN\\_AND\\_SOCKET\\_CONNECTORS\\_CATALOG](#)

English

### Product Specifications

[Application Specification](#)

English

### Product Environmental Compliance

[TE Material Declaration](#)



English