

2-36161-5 ✓ ACTIVE



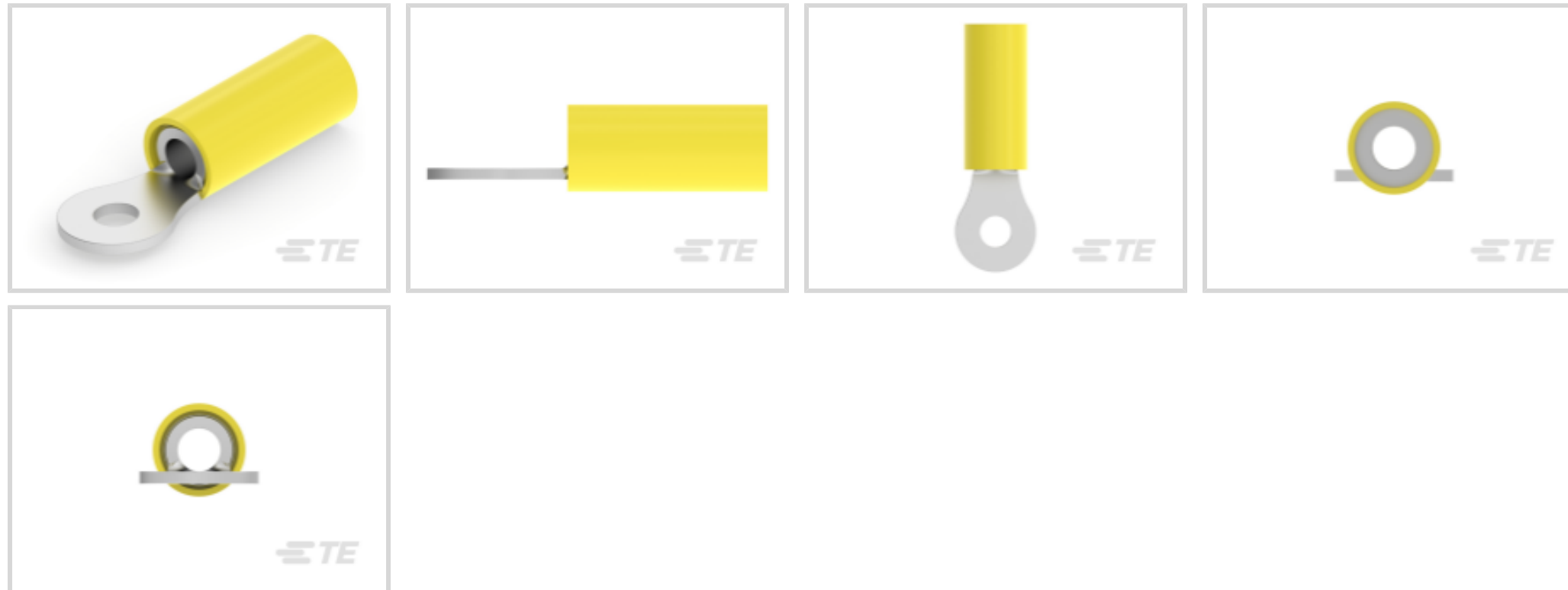
PIDG

TE Internal #: 2-36161-5

Closed Ring Tongue Terminal, 12 AWG, #6 / M3.5 Stud Size, 3.68 mm [.145 in] Stud Diameter, Closed Barrel, Straight, Tin, Partially Insulated, PIDG

[View on TE.com >](#)

Terminals & Splices > Ring Terminals > PIDG Ring Tongue Terminals



Ring Terminal Product Type: Closed Ring Tongue Terminal

Wire Size: 6654 CMA

Stud Size: #6, M3.5

[All PIDG Ring Tongue Terminals \(414\)](#)

Features

Product Type Features

Ring Terminal Product Type	Closed Ring Tongue Terminal
Stud Size	#6, M3.5
Sealable	No
Wire Insulation Support Retention Type	Insulation Restriction

Configuration Features

Number of Holes	1
-----------------	---

Electrical Characteristics

Voltage Rating	300 V
----------------	-------

Body Features

Product Weight	2.438 g
Stripe Color	Yellow

Contact Features

Military Part Class	Class I
---------------------	---------



Barrel Type	Closed
-------------	--------

Terminal Orientation	Straight
----------------------	----------

Terminal Plating Material	Tin
---------------------------	-----

Mechanical Attachment

Wire Insulation Support	With
-------------------------	------

Dimensions

Wire Size	6654 CMA
-----------	----------

Stud Diameter	3.68 mm [.145 in]
---------------	-------------------

Tongue Thickness	.79 mm [.031 in]
------------------	------------------

Product Length	29.16 mm [1.148 in]
----------------	---------------------

Compatible Insulation Diameter (Max)	5.08 mm [.2 in]
--------------------------------------	-----------------

Compatible Insulation Diameter Range	2.41 – 5.08 mm [.095 – .2 in]
--------------------------------------	-------------------------------

Usage Conditions

Insulation Option	Partially Insulated
-------------------	---------------------

Operating Temperature Range	105 °C [221 °F]
-----------------------------	-----------------

Operation/Application

Compatible With Wire Base Material	Copper
------------------------------------	--------

Compatible With Wire Plating Material	Tin
---------------------------------------	-----

Industry Standards

Government Qualified Terminal	Yes
-------------------------------	-----

Packaging Features

Packaging Quantity	500
--------------------	-----

Packaging Method	Loose Piece
------------------	-------------

Product Compliance

[For compliance documentation, visit the product page on TE.com>](#)

EU RoHS Directive 2011/65/EU	Compliant
------------------------------	-----------

EU ELV Directive 2000/53/EC	Compliant
-----------------------------	-----------

China RoHS 2 Directive MIIT Order No 32, 2016	No Restricted Materials Above Threshold
---	---

EU REACH Regulation (EC) No. 1907/2006	Current ECHA Candidate List: JUNE 2023 (235) Candidate List Declared Against: JAN 2023 (233)
--	---

Does not contain REACH SVHC

Halogen Content

Not Low Halogen - contains Br or Cl > 900 ppm.

Solder Process Capability

Not applicable for solder process capability

Product Compliance Disclaimer

This information is provided based on reasonable inquiry of our suppliers and represents our current actual knowledge based on the information they provided. This information is subject to change. The part numbers that TE has identified as EU RoHS compliant have a maximum concentration of 0.1% by weight in homogenous materials for lead, hexavalent chromium, mercury, PBB, PBDE, DBP, BBP, DEHP, DIBP, and 0.01% for cadmium, or qualify for an exemption to these limits as defined in the Annexes of Directive 2011/65/EU (RoHS2). Finished electrical and electronic equipment products will be CE marked as required by Directive 2011/65/EU. Components may not be CE marked. Additionally, the part numbers that TE has identified as EU ELV compliant have a maximum concentration of 0.1% by weight in homogenous materials for lead, hexavalent chromium, and mercury, and 0.01% for cadmium, or qualify for an exemption to these limits as defined in the Annexes of Directive 2000/53/EC (ELV). Regarding the REACH Regulation, the information TE provides on SVHC in articles for this part number is based on the latest European Chemicals Agency (ECHA) 'Guidance on requirements for substances in articles' posted at this URL: <https://echa.europa.eu/guidance-documents/guidance-on-reach>

Compatible Parts

TE Part # 59824-1
TETRA-CRIMP PIDG PG FASTON 22-10 ASSY

TE Part # 59239-4
HHHT PIDG PG 12-10 ASSY

TE Part # 58423-1
DIE, RBY IS9252

TE Part # 679300-1
1210 PIDG CRIMP HEAD

TE Part # 58433-3
PRO CR ASSY, RBY IS9252

TE Part # 2063030-1
SDE DIESET, RBY, UL

TE Part # 2217330-1
KIT, BTLI, 4 TON, NA

TE Part # 47808-6
DIES PIDG 12-10 DIE SET

TE Part # 1-59239-4
HHHT PIDG 16-10 HEAD

TE Part # 1SET191001R0000
CRIMP-HT

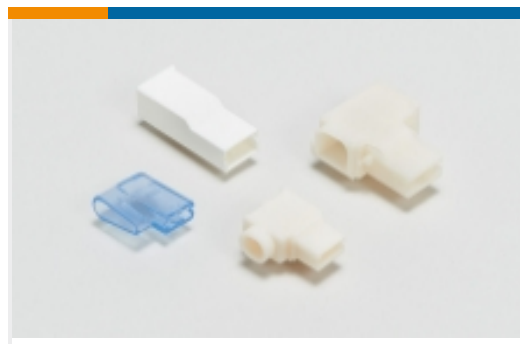
TE Part # 1SET191002R0000
TET CRIMP-HT

TE Part # 169404
CERTI-LOK DIE

Also in the Series | PIDG



Compression Connectors(17)



Crimp Terminal Housings(1)



Crimp Wire Pins, Tabs & Ferrules(41)



Hand Crimping Tools(2)



Knife Disconnects(11)



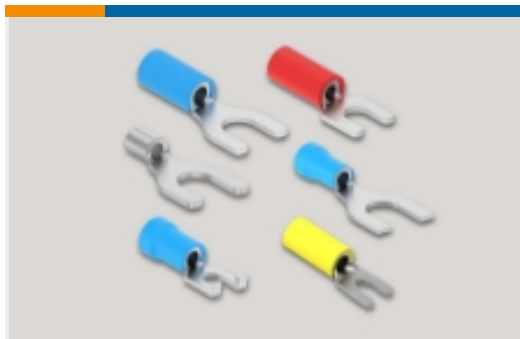
PCB Terminals(7)



Quick Disconnects(49)



Ring Terminals(607)



Spade Terminals(231)

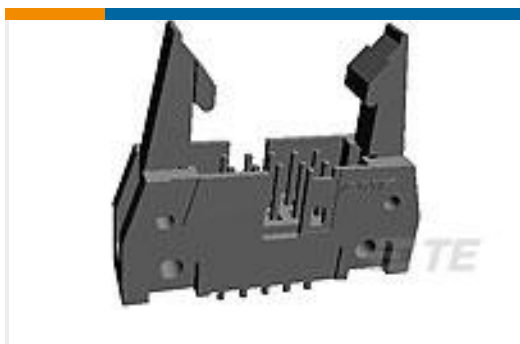


Special Purpose Terminals(1)



Splices(45)

Customers Also Bought



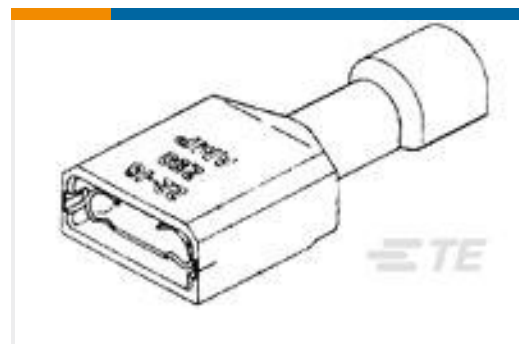
TE Part #5102321-5
A/L UNIV HDR 24P VERT LG LAT



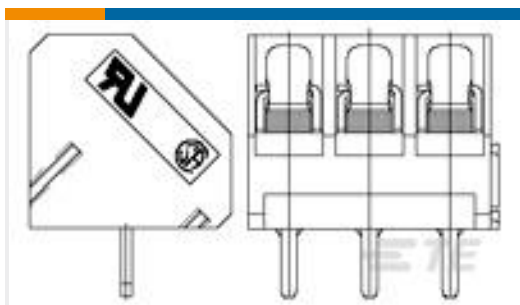
TE Part #6609021-6
3VB3=F7125 S0



TE Part #TAD14241111-002
M12D4-MR-PVC TYPE B-1.0M



TE Part #2-520409-2
ULTRA-FAST 187 ASY REC 22-18 TPBR



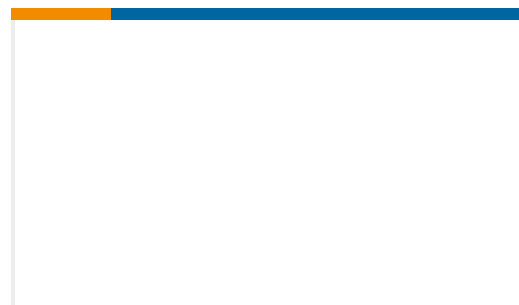
TE Part #1776252-2
45 degree wire inlet, 5.0mm, H



TE Part #134122-1
TERM, PIDG, R, IR, 14, M5



TE Part #640453-9
09P MTA100 HDR ASSY SQ R/A



TE Part #1419106-7
27E220=SOCKET,KH,8,PL,PHEN,BLK



TE Part #ZPF0000000000001192
097-0006-16



TE Part #2-1105051-2
HN.D-C-BU.AU.0,5

Documents

Product Drawings

TERMINAL,PIDG R IR 12 6

English

CAD Files

3D PDF

3D

Customer View Model

[ENG_CVM_CVM_2-36161-5_AK.2d_dxf.zip](#)

English

Customer View Model

[ENG_CVM_CVM_2-36161-5_AK.3d_igs.zip](#)

English

Customer View Model

[ENG_CVM_CVM_2-36161-5_AK.3d_stp.zip](#)

English

By downloading the CAD file I accept and agree to the [Terms and Conditions](#) of use.

Product Specifications

Application Specification

English

Product Environmental Compliance

TE Material Declaration

English

Agency Approvals

CSA Certificate

English