

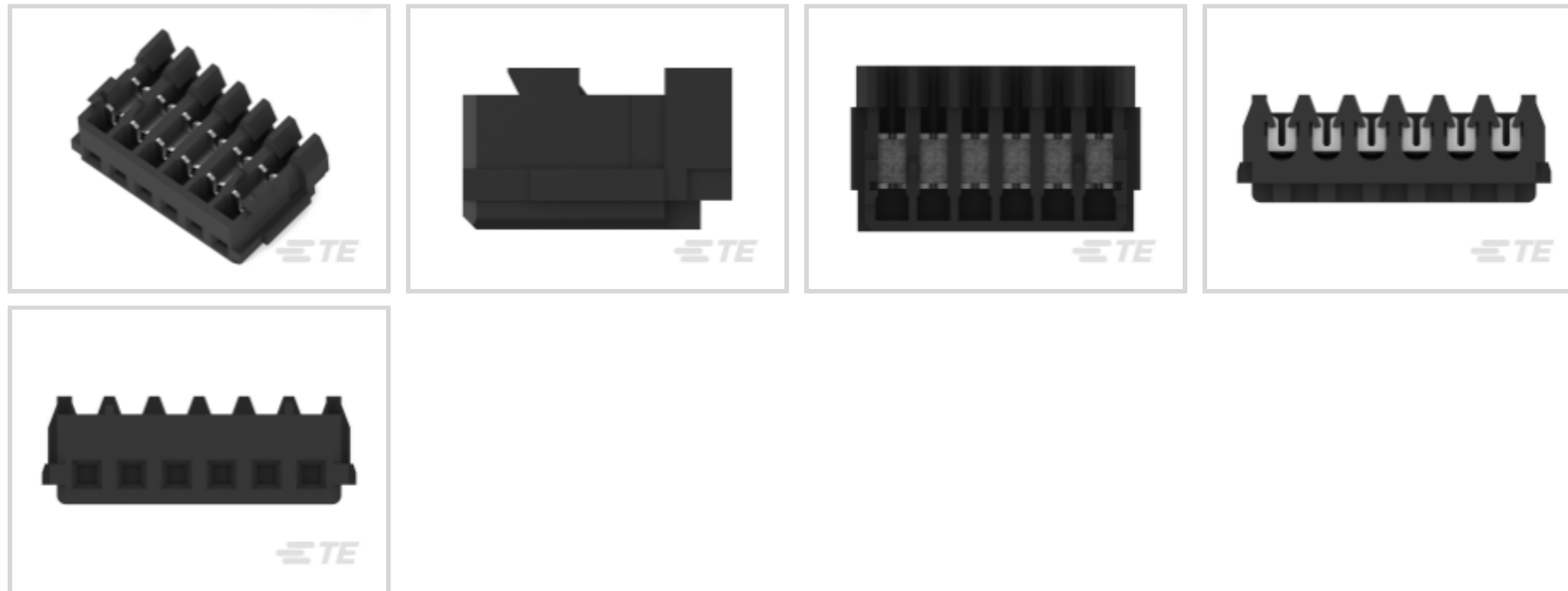


TE Internal #: 2-353293-6

Connector Assembly, Receptacle, Wire-to-Wire, 6 Position, .059 in [1.5 mm] Centerline, Crimp, 1 Row, Black, Mating Retention, Wire & Cable

[View on TE.com >](#)

Connectors > PCB Connectors > Wire-to-Board Connectors > Wire-to-Board Connector Assemblies & Housings



Connector Product Type: **Connector Assembly**

Connector & Housing Type: **Receptacle**

Connector System: **Wire-to-Wire**

Number of Positions: **6**

Centerline (Pitch): **1.5 mm [.059 in]**

Features

Product Type Features

Connector Product Type	Connector Assembly
Connector & Housing Type	Receptacle
Connector System	Wire-to-Wire
Connector & Contact Terminates To	Wire & Cable

Configuration Features

Number of Positions	6
Number of Rows	1

Body Features

Primary Product Color	Black
-----------------------	-------

Contact Features

Contact Current Rating (Max)	2 A
------------------------------	-----

Termination Features

Termination Method to Wire & Cable	Crimp
------------------------------------	-------

Mechanical Attachment



Mating Retention	With
Connector Mounting Type	Cable Mount (Free-Hanging)

Housing Features

Centerline (Pitch)	1.5 mm [.059 in]
--------------------	------------------

Usage Conditions

Operating Temperature Range	-30 – 105 °C [-22 – 221 °F]
-----------------------------	-----------------------------

Operation/Application

Circuit Application	Power & Signal
---------------------	----------------

Product Compliance

For compliance documentation, visit the product page on [TE.com](#)>

EU RoHS Directive 2011/65/EU	Compliant
EU ELV Directive 2000/53/EC	Compliant
China RoHS 2 Directive MIIT Order No 32, 2016	No Restricted Materials Above Threshold
EU REACH Regulation (EC) No. 1907/2006	Current ECHA Candidate List: JUNE 2023 (235) Candidate List Declared Against: JUNE 2023 (235) Does not contain REACH SVHC
Halogen Content	Not Low Halogen - contains Br or Cl > 900 ppm.
Solder Process Capability	Not applicable for solder process capability

Product Compliance Disclaimer

This information is provided based on reasonable inquiry of our suppliers and represents our current actual knowledge based on the information they provided. This information is subject to change. The part numbers that TE has identified as EU RoHS compliant have a maximum concentration of 0.1% by weight in homogenous materials for lead, hexavalent chromium, mercury, PBB, PBDE, DBP, BBP, DEHP, DIBP, and 0.01% for cadmium, or qualify for an exemption to these limits as defined in the Annexes of Directive 2011/65/EU (RoHS2). Finished electrical and electronic equipment products will be CE marked as required by Directive 2011/65/EU. Components may not be CE marked. Additionally, the part numbers that TE has identified as EU ELV compliant have a maximum concentration of 0.1% by weight in homogenous materials for lead, hexavalent chromium, and mercury, and 0.01% for cadmium, or qualify for an exemption to these limits as defined in the Annexes of Directive 2000/53/EC (ELV). Regarding the REACH Regulation, the information TE provides on SVHC in articles for this part number is based on the latest European Chemicals Agency (ECHA) 'Guidance on requirements for substances in articles' posted at this URL: <https://echa.europa.eu/guidance-documents/guidance-on-reach>

Compatible Parts




TE Part # 292206-6
MINI CT SGL DIP H 6P NAT



TE Part # 292227-6
1.5 MINI CT SGL H SMT W BOSS 6



TE Part # 292215-6
MINI CT SGL RELAY 6P NAT



TE Part # 292207-6
MINI CT SGL DIP V 6P NAT



TE Part # 2-292215-6
MINI CT SGL RELAY 6P BLACK



TE Part # 2-292207-6
MINI CT SGL DIP V 6P BLACK



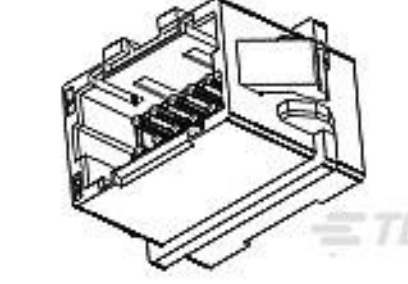
TE Part # 292228-6
1.5 MINI CT SGL H SMT W/O BOSS



TE Part # 5-292371-6
SINGLE ROW POST HEADER ASS'Y
SMT TYPE W/



TE Part # 5-292372-6
SINGLE ROW POST HEADER ASS'Y
SMT TYPE W/



TE Part # 8-292216-2
MINI CT D/R RELAY 32P V BLUE



TE Part # 2-292206-6
MINI CT SGL DIP H 6P BLACK



TE Part # 937317-1
MIMI CT PISTOL TOOL

Customers Also Bought



TE Part #1-292215-4
MINI CT SGL RELAY 14P NAT



TE Part #3-353293-1
1.5MM CT MT REC ASSY 11P BLACK



TE Part #3-353293-5
1.5MM CT MT REC ASSY 15P BLACK



TE Part #2-353293-4
1.5MM CT MT REC ASS'Y 4P BLACK



TE Part #2-353293-3
1.5MM CT MT REC ASS'Y 3P BLACK



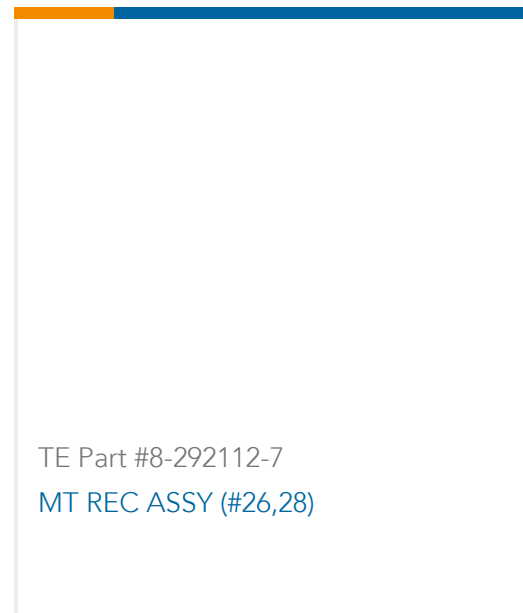
TE Part #3-353293-8
1.5MM CT MT REC ASSY 18P BLACK



TE Part #3-353293-3
1.5MM CT MT REC ASSY 13P BLACK



TE Part #2-353293-9
1.5MM CT MT REC ASS'Y 9P BLACK



Documents

CAD Files

Customer View Model

[ENG_CVM_CVM_2-353293-6_K.2d_dxf.zip](#)

English

3D PDF

3D

Customer View Model

[ENG_CVM_CVM_2-353293-6_K.3d_igs.zip](#)

English

Customer View Model

[ENG_CVM_CVM_2-353293-6_K.3d_stp.zip](#)

English

By downloading the CAD file I accept and agree to the [Terms and Conditions](#) of use.

Product Specifications

Application Specification

English

Product Environmental Compliance

[MD_2-353293-6_05312018637_dmtec](#)

English

[MD_2-353293-6_05312018637_dmtec](#)

English

Instruction Sheets

AIR MINI PRESS FOR AMP MINI CT CONNECTOR

Japanese

Instruction Sheet (non U.S.)

Japanese

1.5mm Pitch Mini CT DC Drawer Connector SF Type

Japanese

Instruction Sheet (non U.S.)

Japanese

1.5mm Pitch Mini CT Hybrid Drawer Connector SF Type

Japanese



[Instruction Sheet \(non U.S.\)](#)

Japanese

[1.5mm Pitch Mini CT Hybrid Drawer Connector Slim Type](#)

Japanese

[Instruction Sheet \(non U.S.\)](#)

Japanese

[Agency Approvals](#)

[UL](#)

English