

2-342143-1 ✓ ACTIVE

PLASTI-GRIP

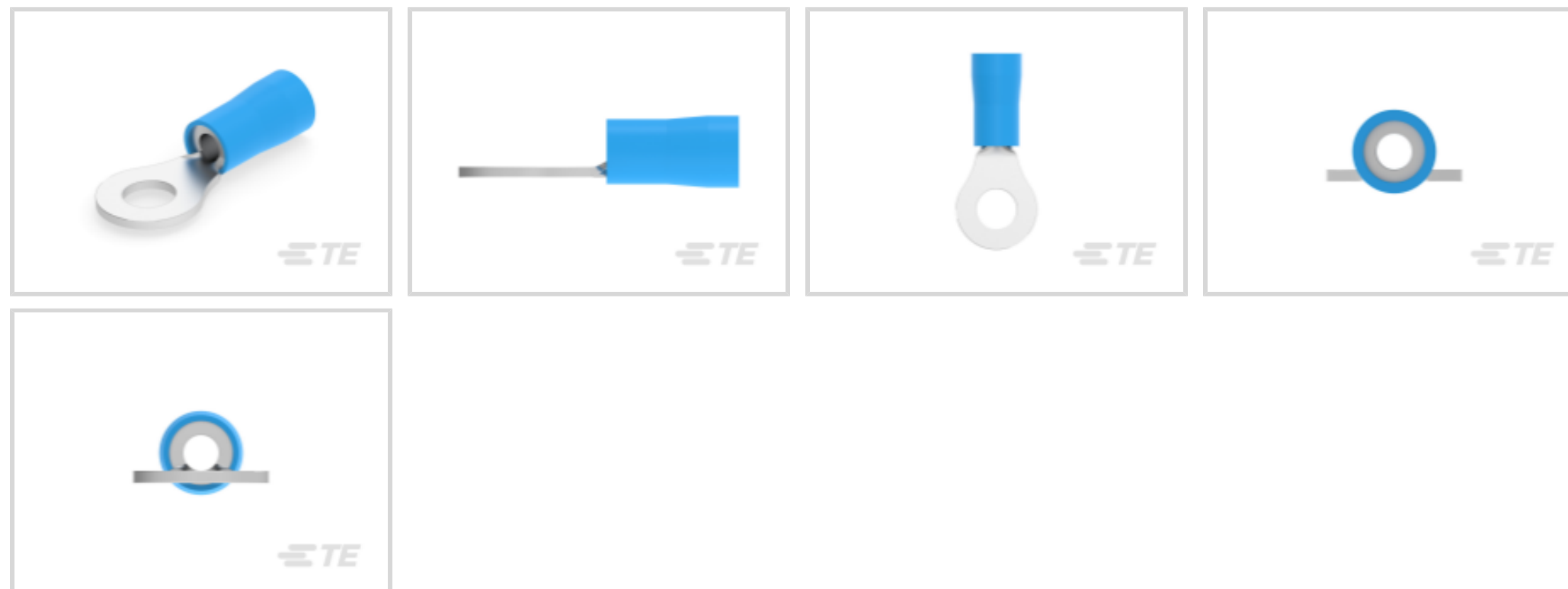
TE Internal #: 2-342143-1

Closed Ring Tongue Terminal, 16 – 14 AWG, M4 / #8 Stud Size, 4.3 mm [.171 in] Stud Diameter, Closed Barrel, Straight, Tin, PLASTI-GRIP

[View on TE.com >](#)



Terminals & Splices > Ring Terminals



Ring Terminal Product Type: Closed Ring Tongue Terminal

Wire Size: 1 – 2.5 mm²

Stud Size: #8, M4

Stud Diameter: 4.3 mm [.171 in]

Features

Product Type Features

Terminal Features	Sheared
Ring Terminal Product Type	Closed Ring Tongue Terminal
Stud Size	#8, M4
Sealable	No
Wire Insulation Support Retention Type	Insulation Support

Configuration Features

Number of Holes	1
-----------------	---

Electrical Characteristics

Voltage Rating	600 V
----------------	-------

Body Features

Product Weight	.247 g
Insulation Sleeve Color	Blue
Stripe Color	Blue

Contact Features



Barrel Type	Closed
Terminal Orientation	Straight
Terminal Plating Material	Tin

Mechanical Attachment

Wire Insulation Support	Without
-------------------------	---------

Dimensions

Wire Size	1 – 2.5 mm ²
Stud Diameter	4.3 mm [.171 in]
Tongue Thickness	.79 mm [.031 in]
Product Length	22.1 mm [.87 in]
Compatible Insulation Diameter (Max)	4.9 mm [.193 in]
Compatible Insulation Diameter Range	3 – 4.9 mm [.118 – .193 in]

Usage Conditions

Insulation Option	Partially Insulated
Operating Temperature Range	105 °C [221 °F]

Operation/Application

Compatible With Wire Base Material	Copper
Compatible With Wire Plating Material	Tin

Industry Standards

Government Qualified Terminal	No
-------------------------------	----

Packaging Features

Packaging Quantity	5000
Packaging Method	Tape Mounted

Product Compliance

[For compliance documentation, visit the product page on TE.com>](#)

EU RoHS Directive 2011/65/EU	Compliant
EU ELV Directive 2000/53/EC	Compliant
China RoHS 2 Directive MIIT Order No 32, 2016	No Restricted Materials Above Threshold
EU REACH Regulation (EC) No. 1907/2006	Current ECHA Candidate List: JUNE 2023 (235) Candidate List Declared Against: JUNE 2023 (235)



Does not contain REACH SVHC

Halogen Content

Not Low Halogen - contains Br or Cl > 900 ppm.

Solder Process Capability

Not applicable for solder process capability

Product Compliance Disclaimer

This information is provided based on reasonable inquiry of our suppliers and represents our current actual knowledge based on the information they provided. This information is subject to change. The part numbers that TE has identified as EU RoHS compliant have a maximum concentration of 0.1% by weight in homogenous materials for lead, hexavalent chromium, mercury, PBB, PBDE, DBP, BBP, DEHP, DIBP, and 0.01% for cadmium, or qualify for an exemption to these limits as defined in the Annexes of Directive 2011/65/EU (RoHS2). Finished electrical and electronic equipment products will be CE marked as required by Directive 2011/65/EU. Components may not be CE marked. Additionally, the part numbers that TE has identified as EU ELV compliant have a maximum concentration of 0.1% by weight in homogenous materials for lead, hexavalent chromium, and mercury, and 0.01% for cadmium, or qualify for an exemption to these limits as defined in the Annexes of Directive 2000/53/EC (ELV). Regarding the REACH Regulation, the information TE provides on SVHC in articles for this part number is based on the latest European Chemicals Agency (ECHA) 'Guidance on requirements for substances in articles' posted at this URL: <https://echa.europa.eu/guidance-documents/guidance-on-reach>

Compatible Parts

TE Part # 59824-1
TETRA-CRIMP PIDG PG FASTON 22-10 ASSY

TE Part # 47387
DAHT PG PIDG 20-14 ASSY

TE Part # 58423-1
DIE, RBY IS9252

TE Part # 58433-3
PRO CR ASSY, RBY IS9252

TE Part # 1SET191001R0000
CRIMP-HT

TE Part # 1SET191002R0000
TET CRIMP-HT

TE Part # 169404
CERTI-LOK DIE

Also in the Series | PLASTI-GRIP

Compression Connectors(3)

Crimp Wire Pins, Tabs & Ferrules(25)

Ring Terminals(333)

Spade Terminals(198)



Splices(50)

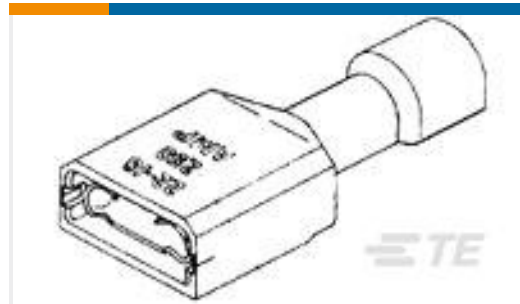
Customers Also Bought



TE Part #DRC18-40SB
PLG, 40P, BLK, N, B



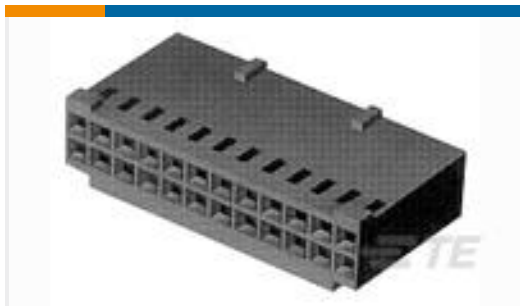
TE Part #52431-3
TERMINAL,PIDG SPR SPD 12-10 8



TE Part #2-520081-2
ULTRAFAST 110 ASSY REC 22-18
TPBR LP



TE Part #342183-1
12-10 F.E.P.G. RING TONGUE 3BA



TE Part #3-87977-5
20 MODIV HSG COMP DR .100 POL



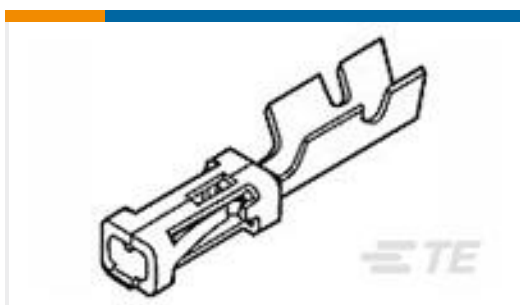
TE Part #31123
BODY,RING TONGUE 12-10 5/16



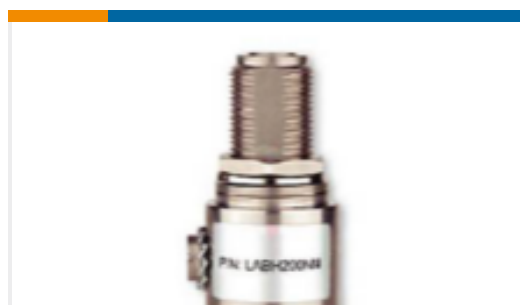
TE Part #32952
PG R 22-16 COMM 22-18 MIL 10



TE Part #323916
TERMINAL,PIDG R 26-22 8



TE Part #2-87523-4
MOD IV RECP LP



TE Part #LABH2400NN
SURGE,NN,0-4000MHZ

Documents

Product Drawings

TAPE MOUNTED 16-14 F.E. TERMIN

English

CAD Files

3D PDF

3D

Customer View Model

ENG_CVM_CVM_2-342143-1_N.2d_dxf.zip



English

Customer View Model

[ENG_CVM_CVM_2-342143-1_N.3d_igs.zip](#)

English

Customer View Model

[ENG_CVM_CVM_2-342143-1_N.3d_stp.zip](#)

English

By downloading the CAD file I accept and agree to the [Terms and Conditions](#) of use.

Datasheets & Catalog Pages

[RADIATION_RESISTANT_PRE-INSULATED_TERMINALS_SPLICES](#)

English

Product Specifications

[Application Specification](#)

English