

2-34159-1 ✓ ACTIVE

PLASTI-GRIP

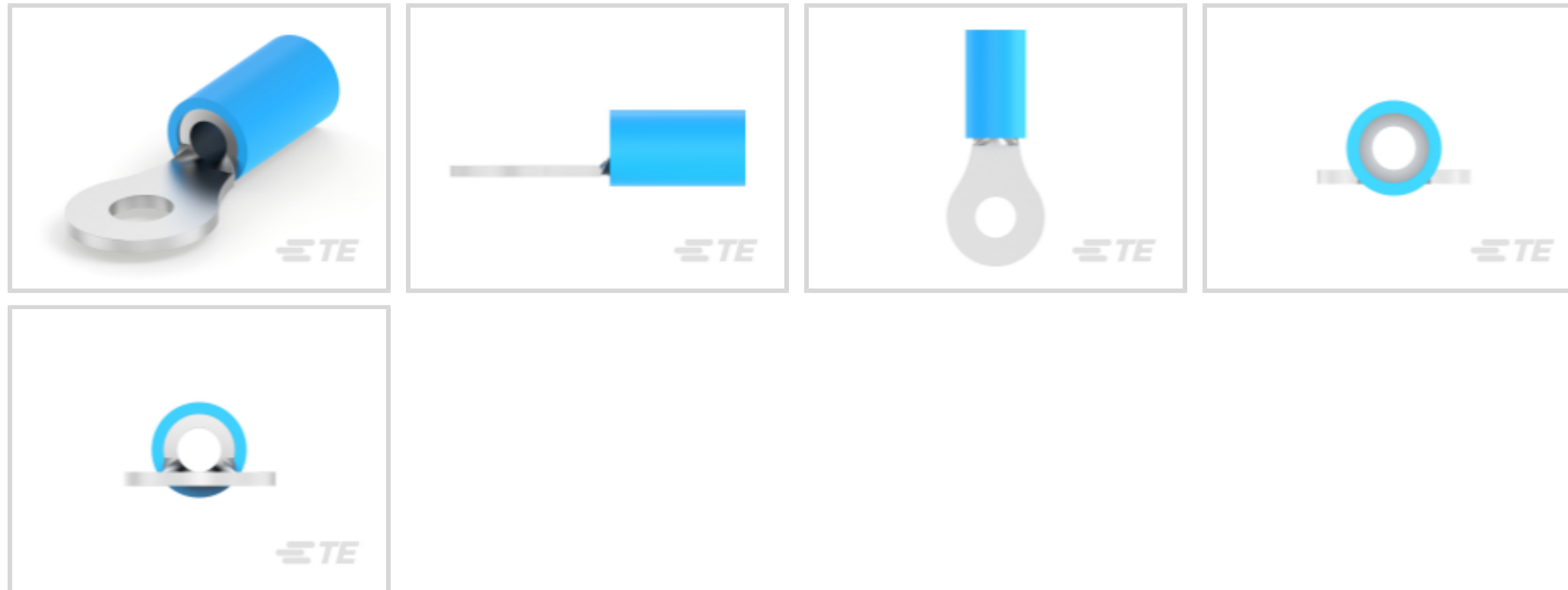
TE Internal #: 2-34159-1

Closed Ring Tongue Terminal, 16 – 14 AWG, #6 / M3.5 Stud Size,
3.68 mm [.145 in] Stud Diameter, Closed Barrel, Straight, Tin,
PLASTI-GRIP

[View on TE.com >](#)



Terminals & Splices > Ring Terminals



Ring Terminal Product Type: Closed Ring Tongue Terminal

Wire Size: 2050 – 5180 CMA

Stud Size: #6, M3.5

Features

Product Type Features

Ring Terminal Product Type	Closed Ring Tongue Terminal
Stud Size	#6, M3.5
Sealable	No
Wire Insulation Support Retention Type	Insulation Support

Configuration Features

Number of Holes	1
-----------------	---

Electrical Characteristics

Voltage Rating	600 V
----------------	-------

Body Features

Product Weight	.874 g
----------------	--------

Contact Features

Barrel Type	Closed
Terminal Orientation	Straight
Terminal Plating Material	Tin

Mechanical Attachment



Wire Insulation Support	With
-------------------------	------

Dimensions

Wire Size	2050 – 5180 CMA
Stud Diameter	3.68 mm [.145 in]
Tongue Thickness	.79 mm [.031 in]
Product Length	22.12 mm [.87 in]
Compatible Insulation Diameter (Max)	4.9 mm [.193 in]
Compatible Insulation Diameter Range	3 – 4.9 mm [.118 – .193 in]

Usage Conditions

Insulation Option	Partially Insulated
Operating Temperature Range	105 °C [221 °F]

Operation/Application

Compatible With Wire Base Material	Copper
Compatible With Wire Plating Material	Tin

Industry Standards

Government Qualified Terminal	No
-------------------------------	----

Packaging Features

Packaging Quantity	5000
Packaging Method	Tape Mounted

Product Compliance

[For compliance documentation, visit the product page on TE.com>](#)

EU RoHS Directive 2011/65/EU	Compliant
EU ELV Directive 2000/53/EC	Compliant
China RoHS 2 Directive MIIT Order No 32, 2016	No Restricted Materials Above Threshold
EU REACH Regulation (EC) No. 1907/2006	Current ECHA Candidate List: JUNE 2023 (235) Candidate List Declared Against: JUNE 2023 (235) Does not contain REACH SVHC
Halogen Content	Not Low Halogen - contains Br or Cl > 900 ppm.
Solder Process Capability	Not applicable for solder process capability

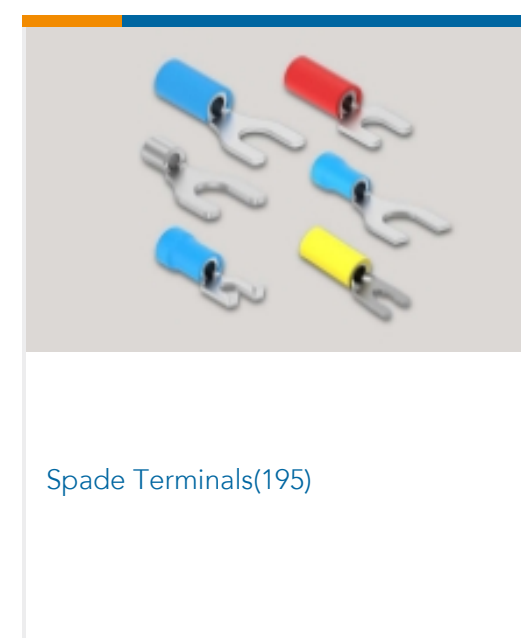
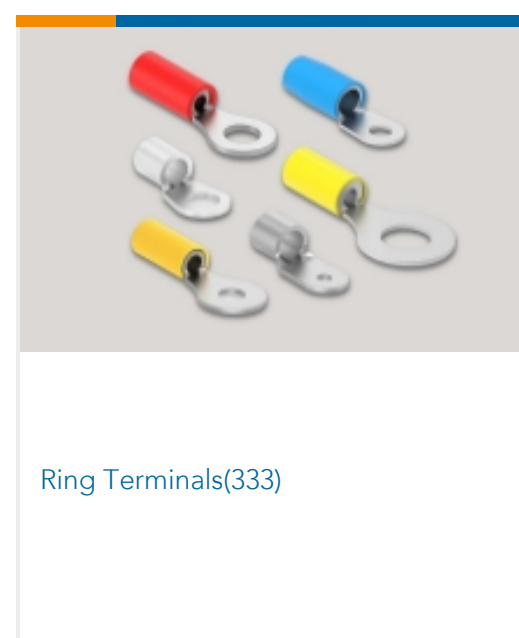
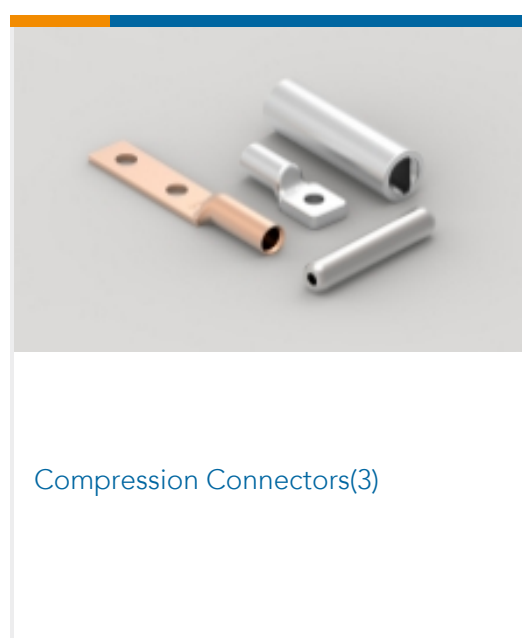
Product Compliance Disclaimer

This information is provided based on reasonable inquiry of our suppliers and represents our current actual knowledge based on the information they provided. This information is subject to change. The part numbers that TE has identified as EU RoHS compliant have a maximum concentration of 0.1% by weight in homogenous materials for lead, hexavalent chromium, mercury, PBB, PBDE, DBP, BBP, DEHP, DIBP, and 0.01% for cadmium, or qualify for an exemption to these limits as defined in the Annexes of Directive 2011/65/EU (RoHS2). Finished electrical and electronic equipment products will be CE marked as required by Directive 2011/65/EU. Components may not be CE marked. Additionally, the part numbers that TE has identified as EU ELV compliant have a maximum concentration of 0.1% by weight in homogenous materials for lead, hexavalent chromium, and mercury, and 0.01% for cadmium, or qualify for an exemption to these limits as defined in the Annexes of Directive 2000/53/EC (ELV). Regarding the REACH Regulation, the information TE provides on SVHC in articles for this part number is based on the latest European Chemicals Agency (ECHA) 'Guidance on requirements for substances in articles' posted at this URL: <https://echa.europa.eu/guidance-documents/guidance-on-reach>

Compatible Parts



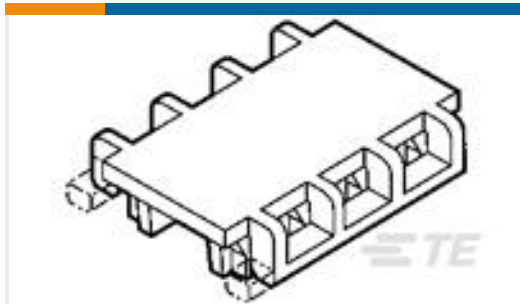
Also in the Series | PLASTI-GRIP





Splices(50)

Customers Also Bought



TE Part #1-643077-0
10P MTA100 MOLDED COVER F/T



TE Part #640923-1
RECEPT,PIDG FASTON 22-18 110



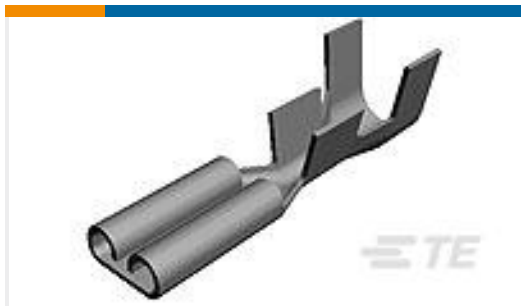
TE Part #1393030-8
SSR-240D25R=PANL MNT,25A,
240VAC,R-DC i/p



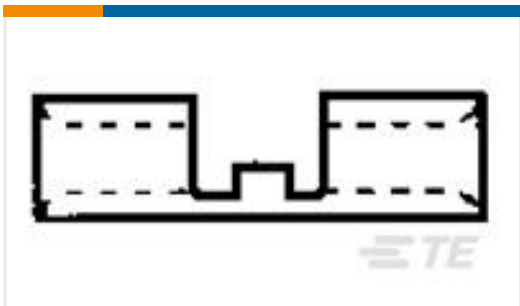
TE Part #2-34160-1
TERMINAL,PG R 16-14 8, TAPE



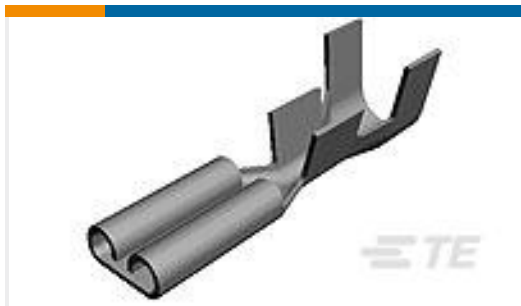
TE Part #2-34144-1
PG R 22-16 COMM 22-18 MIL 6



TE Part #42640-2
250 FASTON REC 22-18 AWG TPBR



TE Part #323698
SPLICE,SOLIS BUTT HT 12-10



TE Part #60705-1
FASTON 250 REC 18-14 AWG NPST



TE Part #640919-2
RECEPT,PIDG FASTON 16-14 187



TE Part #ZPF000000000000385
006-0985-20

Documents

Product Drawings

[TERMINAL,PG R 16-14 6](#)

English

CAD Files

[3D PDF](#)

[3D](#)

[Customer View Model](#)

[ENG_CVM_CVM_2-34159-1_W.2d_dxf.zip](#)



English

Customer View Model

[ENG_CVM_CVM_2-34159-1_W.3d_igs.zip](#)

English

Customer View Model

[ENG_CVM_CVM_2-34159-1_W.3d_stp.zip](#)

English

[3D PDF](#)

English

Customer View Model

[ENG_CVM_2-34159-1_K1.3d_igs.zip](#)

English

Customer View Model

[ENG_CVM_2-34159-1_K1.3d_stp.zip](#)

English

Customer View Model

[ENG_CVM_2-34159-1_K1.2d_dxf.zip](#)

English

By downloading the CAD file I accept and agree to the [Terms and Conditions](#) of use.

Product Specifications

[Application Specification](#)

English

Product Environmental Compliance

[TE Material Declaration](#)

English

Agency Approvals

[UL Report](#)

English