

2-34151-1 ✓ ACTIVE

PLASTI-GRIP

TE Internal #: 2-34151-1

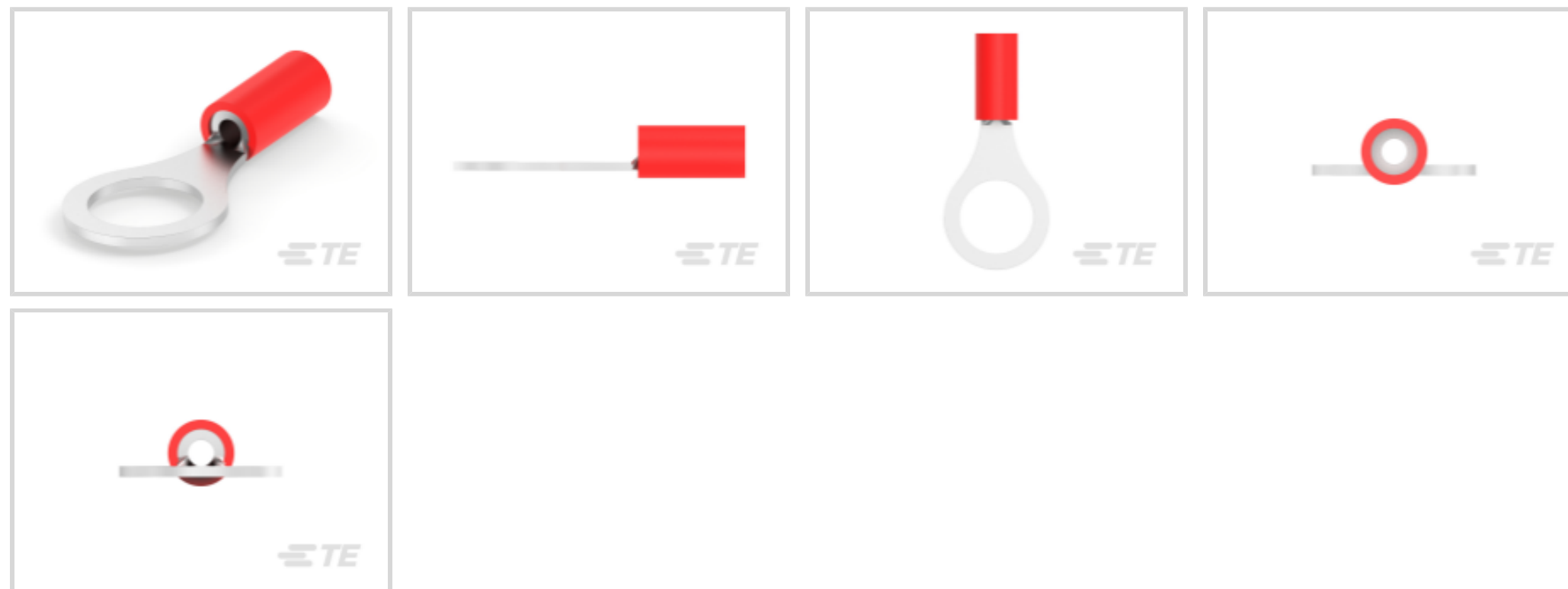
Closed Ring Tongue Terminal, 22 – 16 AWG, 5/16 / M8 Stud Size,
8.33 mm [.328 in] Stud Diameter, Closed Barrel, Straight, Tin,

PLASTI-GRIP

[View on TE.com >](#)



Terminals & Splices > Ring Terminals



Ring Terminal Product Type: Closed Ring Tongue Terminal

Wire Size: 509 – 3260 CMA

Stud Size: 5/16, M8

Features

Product Type Features

Ring Terminal Product Type	Closed Ring Tongue Terminal
Stud Size	5/16, M8
Sealable	No
Wire Insulation Support Retention Type	Insulation Support

Configuration Features

Number of Holes	1
-----------------	---

Electrical Characteristics

Voltage Rating	600 V
----------------	-------

Body Features

Product Weight	.932 g
----------------	--------

Contact Features

Barrel Type	Closed
Terminal Orientation	Straight
Terminal Plating Material	Tin

Mechanical Attachment



Wire Insulation Support	With
-------------------------	------

Dimensions

Wire Size	509 – 3260 CMA
Stud Diameter	8.33 mm [.328 in]
Tongue Thickness	.79 mm [.031 in]
Product Length	27.69 mm [1.09 in]
Compatible Insulation Diameter (Max)	3.56 mm [.14 in]
Compatible Insulation Diameter Range	2.67 – 3.56 mm [.105 – .14 in]

Usage Conditions

Insulation Option	Partially Insulated
Operating Temperature Range	105 °C [221 °F]

Operation/Application

Compatible With Wire Base Material	Copper
Compatible With Wire Plating Material	Tin

Industry Standards

Government Qualified Terminal	No
-------------------------------	----

Packaging Features

Packaging Quantity	5000
Packaging Method	Tape Mounted

Product Compliance

[For compliance documentation, visit the product page on TE.com>](#)

EU RoHS Directive 2011/65/EU	Compliant
EU ELV Directive 2000/53/EC	Compliant
China RoHS 2 Directive MIIT Order No 32, 2016	No Restricted Materials Above Threshold
EU REACH Regulation (EC) No. 1907/2006	Current ECHA Candidate List: JUNE 2023 (235) Candidate List Declared Against: JUNE 2023 (235) Does not contain REACH SVHC
Halogen Content	Not Low Halogen - contains Br or Cl > 900 ppm.
Solder Process Capability	Not applicable for solder process capability

Product Compliance Disclaimer

This information is provided based on reasonable inquiry of our suppliers and represents our current actual knowledge based on the information they provided. This information is subject to change. The part numbers that TE has identified as EU RoHS compliant have a maximum concentration of 0.1% by weight in homogenous materials for lead, hexavalent chromium, mercury, PBB, PBDE, DBP, BBP, DEHP, DIBP, and 0.01% for cadmium, or qualify for an exemption to these limits as defined in the Annexes of Directive 2011/65/EU (RoHS2). Finished electrical and electronic equipment products will be CE marked as required by Directive 2011/65/EU. Components may not be CE marked. Additionally, the part numbers that TE has identified as EU ELV compliant have a maximum concentration of 0.1% by weight in homogenous materials for lead, hexavalent chromium, and mercury, and 0.01% for cadmium, or qualify for an exemption to these limits as defined in the Annexes of Directive 2000/53/EC (ELV). Regarding the REACH Regulation, the information TE provides on SVHC in articles for this part number is based on the latest European Chemicals Agency (ECHA) 'Guidance on requirements for substances in articles' posted at this URL: <https://echa.europa.eu/guidance-documents/guidance-on-reach>

Compatible Parts



REPRESENTATION ONLY

TE Part # 47386
DAHT PG PIDG 26-16 ASSY



TE Part # 58423-1
DIE, RBY IS9252



TE Part # 58433-3
PRO CR ASSY, RBY IS9252




TE Part # 1SET191001R0000
CRIMP-HT



TE Part # 169404
CERTI-LOK DIE


Also in the Series | PLASTI-GRIP



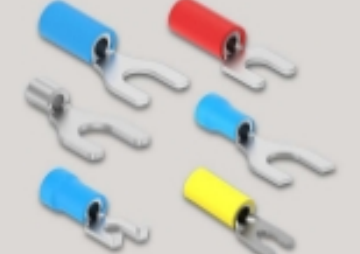
Compression Connectors(3)



Crimp Wire Pins, Tabs & Ferrules(25)



Ring Terminals(333)



Spade Terminals(198)

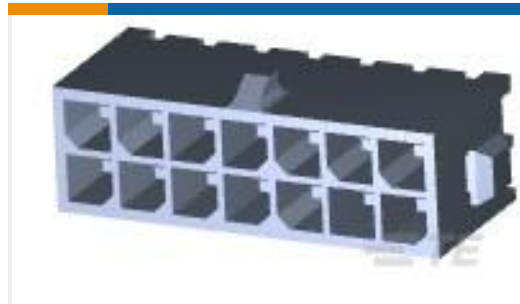


Splices(50)

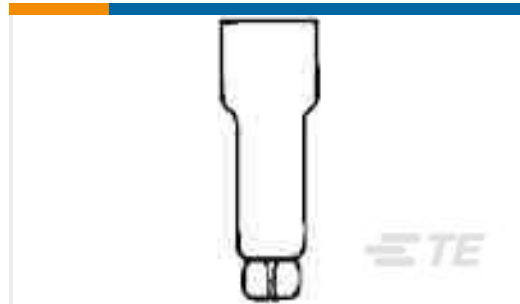
Customers Also Bought



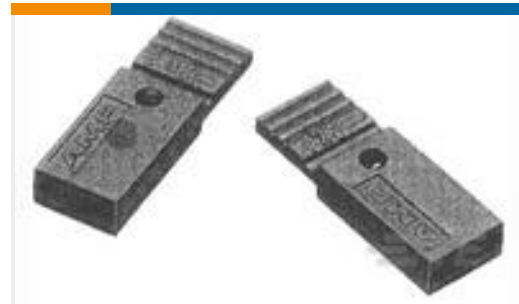
TE Part #166052-1
TD 20 F CRIMP SOCKET WIRE SIZE



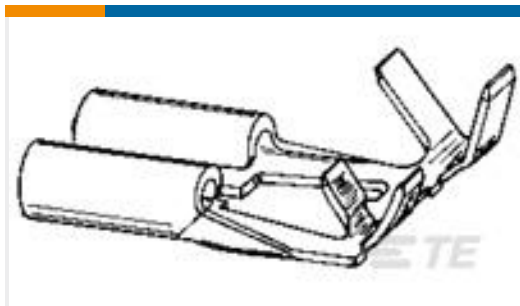
TE Part #4-794630-4
14P MICRO MNL ASSY,VRT,HDR,LF



TE Part #55843-1
SPLICE,CE 22-14



TE Part #880584-1
SHUNT CONNECTOR



TE Part #180453-2
FF 312 REC 1-2.5MM2 TPBR



TE Part #160684-4
FF 110 REC 0.5-1.0MM2 TPBR



TE Part #3-644574-2
02P MTA100 CONN ASSY BLK LF



TE Part #2-380935-0
MR SPLT GROMET .437 DIA BLK LF



TE Part #3-1415419-5
0419 11 0301 00



TE Part #53832-1
SOLIS SP SPD22-16COM22-18MIL10

Documents

Product Drawings

[PG R 22-16 COMM 22-18 MIL 5/16](#)

English

CAD Files

Customer View Model

[ENG_CVM_CVM_2-34151-1_R.2d_dxf.zip](#)

English

[3D PDF](#)



3D

Customer View Model

[ENG_CVM_CVM_2-34151-1_R.3d_igs.zip](#)

English

Customer View Model

[ENG_CVM_CVM_2-34151-1_R.3d_stp.zip](#)

English

By downloading the CAD file I accept and agree to the [Terms and Conditions](#) of use.

Product Specifications

[Application Specification](#)

English

Product Environmental Compliance

[MD_2-34151-1_050320181324_dmtec](#)

English

[MD_2-34151-1_050320181324_dmtec](#)

English

Agency Approvals

[UL Report](#)

English