



PLASTI-GRIP

TE Internal #: 2-34071-3

Splices, Butt Splice, 16 – 14 AWG Wire Size, 1.25 – 2 mm² Wire Size, Serrated, 2050 – 5180 CMA Wire Size, Copper, Blue, 12 Serration, PLASTI-GRIP

[View on TE.com >](#)

Terminals & Splices > Splices



Wire Size: 1.25 – 2 mm²

Sealable: No

Splice Features: **Serrated**

Compatible Insulation Diameter Range: 4.32 mm [.17 in]

Features

Product Type Features

Splice Accessory Type	Splice
Sealable	No
Splice Type	Butt Splice
Compatible With Discrete Wire Type	Solid, Stranded
Wire Insulation Support Retention Type	Insulation Support

Configuration Features

Number of Serrations	12
Compatible With Wire & Cable Type	Discrete Wire

Electrical Characteristics

Operating Voltage	600 V
-------------------	-------

Body Features

Product Weight	1.442 g
Insulation Material	Copper, Vinyl
Splice Features	Serrated



Primary Product Color	Blue
-----------------------	------

Contact Features

Terminal Plating Material	Tin
Contact Base Material	Copper
Barrel Type	Closed

Mechanical Attachment

Wire Insulation Support	With
-------------------------	------

Dimensions

Wire Size	2050 – 5180 CMA
Compatible Insulation Diameter Range	4.32 mm[.17 in]
Product Length	1.11 mm[1.105 in]

Usage Conditions

Insulation Option	Fully Insulated
Operating Temperature Range	90 °C[221 °F]

Operation/Application

Compatible With Wire Base Material	Copper
------------------------------------	--------

Industry Standards

Government Qualified Splice	No
-----------------------------	----

Packaging Features

Packaging Quantity	2500
Packaging Method	Tape Mounted

Other

Terminals & Splices Comment	Funnel entry
-----------------------------	--------------

Product Compliance

[For compliance documentation, visit the product page on TE.com>](#)

EU RoHS Directive 2011/65/EU	Compliant
EU ELV Directive 2000/53/EC	Compliant
China RoHS 2 Directive MIIT Order No 32, 2016	No Restricted Materials Above Threshold
EU REACH Regulation (EC) No. 1907/2006	Current ECHA Candidate List: JUNE 2023 (235) Candidate List Declared Against: JUNE 2023 (235)



Does not contain REACH SVHC

Halogen Content

Not Low Halogen - contains Br or Cl > 900 ppm.

Solder Process Capability

Not applicable for solder process capability

Product Compliance Disclaimer

This information is provided based on reasonable inquiry of our suppliers and represents our current actual knowledge based on the information they provided. This information is subject to change. The part numbers that TE has identified as EU RoHS compliant have a maximum concentration of 0.1% by weight in homogenous materials for lead, hexavalent chromium, mercury, PBB, PBDE, DBP, BBP, DEHP, DIBP, and 0.01% for cadmium, or qualify for an exemption to these limits as defined in the Annexes of Directive 2011/65/EU (RoHS2). Finished electrical and electronic equipment products will be CE marked as required by Directive 2011/65/EU. Components may not be CE marked. Additionally, the part numbers that TE has identified as EU ELV compliant have a maximum concentration of 0.1% by weight in homogenous materials for lead, hexavalent chromium, and mercury, and 0.01% for cadmium, or qualify for an exemption to these limits as defined in the Annexes of Directive 2000/53/EC (ELV). Regarding the REACH Regulation, the information TE provides on SVHC in articles for this part number is based on the latest European Chemicals Agency (ECHA) 'Guidance on requirements for substances in articles' posted at this URL: <https://echa.europa.eu/guidance-documents/guidance-on-reach>

Compatible Parts

TE Part # 59824-1
TETRA-CRIMP PIDG PG FASTON 22-10 ASSY

TE Part # 47387
DAHT PG PIDG 20-14 ASSY

TE Part # 58423-1
DIE, RBY IS9252

TE Part # 58433-3
PRO CR ASSY, RBY IS9252

TE Part # 1SET191001R0000
CRIMP-HT

TE Part # 1SET191002R0000
TET CRIMP-HT

TE Part # 169404
CERTI-LOK DIE

Also in the Series | PLASTI-GRIP

Compression Connectors(3)

Crimp Wire Pins, Tabs & Ferrules(25)

Ring Terminals(333)

Spade Terminals(198)



Splices(50)

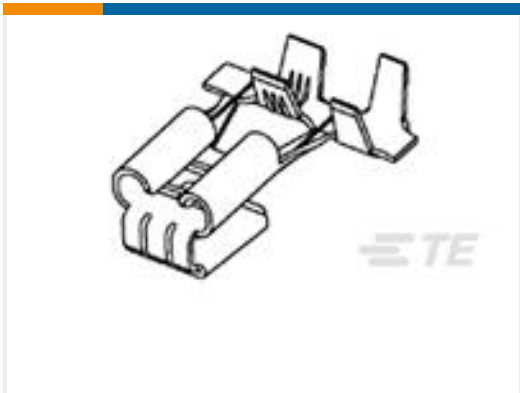
Customers Also Bought



TE Part #HD34-24-23PN-072
REC, 23P, AL, N, THD ADPT DRAIN, 16, P



TE Part #1-34070-1
PG BUTT SPLC 22-16COMM22-18MIL



TE Part #151321-4
250 FASTON, FLAG, REC., 18-14 AWG, TPBR



TE Part #41531-1
250 FASTON FLAG REC 18-12 AWG NPST



TE Part #42904-2
FF 250 REC TERMINAL 16-12 AWG TPBR



TE Part #696049-2
PG 8 R 8, TAPE



TE Part #696050-2
PG 8 R 10, TAPE



TE Part #1376397-1
5MM POWER KEY D/L PLATE GREEN



TE Part #175091-1
.187 SEALD REC CONT L



TE Part #41346
RING TERMINAL 18-14 AWG NPSTL

Documents

Product Drawings

[SPL,PG BUTT 16-14,FUNNEL ENTRY](#)

English

CAD Files

Customer View Model

[ENG_CVM_CVM_2-34071-3_T.2d_dxf.zip](#)

English

[3D PDF](#)



3D

Customer View Model

[ENG_CVM_CVM_2-34071-3_T.3d_igs.zip](#)

English

Customer View Model

[ENG_CVM_CVM_2-34071-3_T.3d_stp.zip](#)

English

By downloading the CAD file I accept and agree to the [Terms and Conditions](#) of use.

Product Specifications

[Application Specification](#)

English

Product Environmental Compliance

[TE Material Declaration](#)

English