

2-328375-3 ✓ ACTIVE

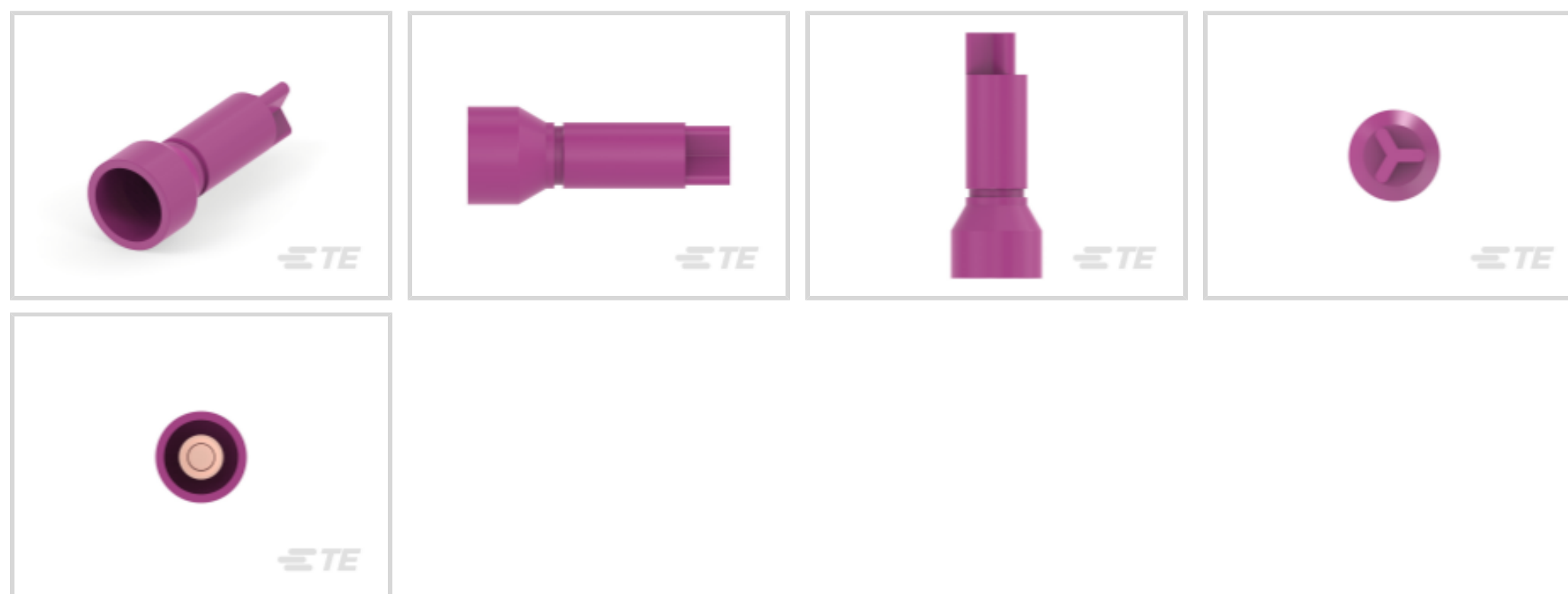
TE Internal #: 2-328375-3

Splices, Closed End Splice, 22 – 14 AWG Wire Size, .3 – 2 mm² Wire Size, .509 – 5.18 kcmil Wire Size, 509 – 5180 CMA Wire Size, Copper, Purple

[View on TE.com >](#)



Terminals & Splices > Splices



Wire Size: .509 – 5.18 kcmil

Sealable: No

Compatible Insulation Diameter Range: 5.97 mm [.235 in]

Features

Product Type Features

Splice Accessory Type	Splice
Sealable	No
Splice Type	Closed End Splice
Compatible With Discrete Wire Type	Solid
Wire Insulation Support Retention Type	Insulation Support

Configuration Features

Compatible With Wire & Cable Type	Discrete Wire
-----------------------------------	---------------

Electrical Characteristics

Operating Voltage	300 V
-------------------	-------

Body Features

Insulation Material	PVC
Primary Product Color	Purple

Contact Features

Contact Base Material	Copper
Barrel Type	Closed



Mechanical Attachment

Wire Insulation Support	With
-------------------------	------

Dimensions

Recovered Inside Diameter	2.13 mm[.084 in]
Outside Diameter	5.46 mm[.215 in]
Wire Size	509 – 5180 CMA
Compatible Insulation Diameter Range	5.97 mm[.235 in]
Terminal Material Thickness	.69 mm[.027 in]
Product Length	19.69 mm[.775 in]

Usage Conditions

Insulation Option	Fully Insulated
Operating Temperature Range	90 °C[194 °F]

Operation/Application

Compatible With Wire Base Material	Copper
------------------------------------	--------

Identification Marking

Splice Marking	VS
----------------	----

Industry Standards

Government Qualified Splice	No
-----------------------------	----

Packaging Features

Packaging Quantity	1000
Packaging Method	Loose Piece

Other

Terminals & Splices Comment	VS-300V, 90°- C. BOMB-TAIL Splice.
-----------------------------	------------------------------------

Product Compliance

[For compliance documentation, visit the product page on TE.com>](#)

EU RoHS Directive 2011/65/EU	Compliant
EU ELV Directive 2000/53/EC	Compliant
China RoHS 2 Directive MIIT Order No 32, 2016	No Restricted Materials Above Threshold
EU REACH Regulation (EC) No. 1907/2006	Current ECHA Candidate List: JUNE 2023 (235) Candidate List Declared Against: JUNE 2023 (235)



Does not contain REACH SVHC

Halogen Content

Not Low Halogen - contains Br or Cl > 900 ppm.

Solder Process Capability

Not applicable for solder process capability

Product Compliance Disclaimer

This information is provided based on reasonable inquiry of our suppliers and represents our current actual knowledge based on the information they provided. This information is subject to change. The part numbers that TE has identified as EU RoHS compliant have a maximum concentration of 0.1% by weight in homogenous materials for lead, hexavalent chromium, mercury, PBB, PBDE, DBP, BBP, DEHP, DIBP, and 0.01% for cadmium, or qualify for an exemption to these limits as defined in the Annexes of Directive 2011/65/EU (RoHS2). Finished electrical and electronic equipment products will be CE marked as required by Directive 2011/65/EU. Components may not be CE marked. Additionally, the part numbers that TE has identified as EU ELV compliant have a maximum concentration of 0.1% by weight in homogenous materials for lead, hexavalent chromium, and mercury, and 0.01% for cadmium, or qualify for an exemption to these limits as defined in the Annexes of Directive 2000/53/EC (ELV). Regarding the REACH Regulation, the information TE provides on SVHC in articles for this part number is based on the latest European Chemicals Agency (ECHA) 'Guidance on requirements for substances in articles' posted at this URL: <https://echa.europa.eu/guidance-documents/guidance-on-reach>

Compatible Parts



REPRESENTATION ONLY

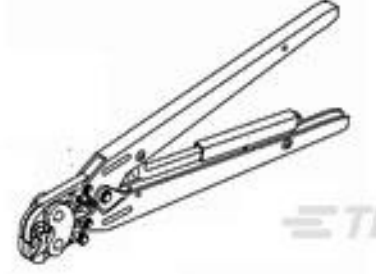
TE Part # 45216
DAHT AMP CLOSED END SPLICES 22-14 ASSY



TE Part # 217212-1
PRO-CR ASSY, CES



TE Part # 45218
DIES ECV-ECN 18-16 DIE SET



TE Part # 48208
DAHT CLOSED END SPLICES 22-10 ASSY

Customers Also Bought



TE Part #3-643814-5
Nylon Tin Plated Receptacle: 2.54 mm, with Mating Alignment, MTA 100



TE Part #745253-2
20 DF SCKT CONT,PLTD



TE Part #3-643818-5
05P MTA156 CONN ASSY 20AWG YEL




TE Part #320665
PG SPD 22-16 COMM 22-18 MIL 6




TE Part #322994
TERMINAL,PG SPD 16-14 6



TE Part #34147
PG R 22-16 COMM 22-18 MIL 6



TE Part #321519
SPLICE,CE 22-10



TE Part #1586314-1
VAL-U-LOK PIN BR TN 22-18 LP



Documents

Product Drawings

SPLICE,CE 22-14

English

CAD Files

3D PDF

3D

Customer View Model

[ENG_CVM_CVM_2-328375-3_AH.2d_dxf.zip](#)

English

Customer View Model

[ENG_CVM_CVM_2-328375-3_AH.3d_igs.zip](#)

English

Customer View Model

[ENG_CVM_CVM_2-328375-3_AH.3d_stp.zip](#)

English

By downloading the CAD file I accept and agree to the [Terms and Conditions](#) of use.

Product Specifications

Application Specification

English

Instruction Sheets

Instruction Sheet (U.S.)

English

Agency Approvals

UL Report

English