

2-32446-1 ✓ ACTIVE



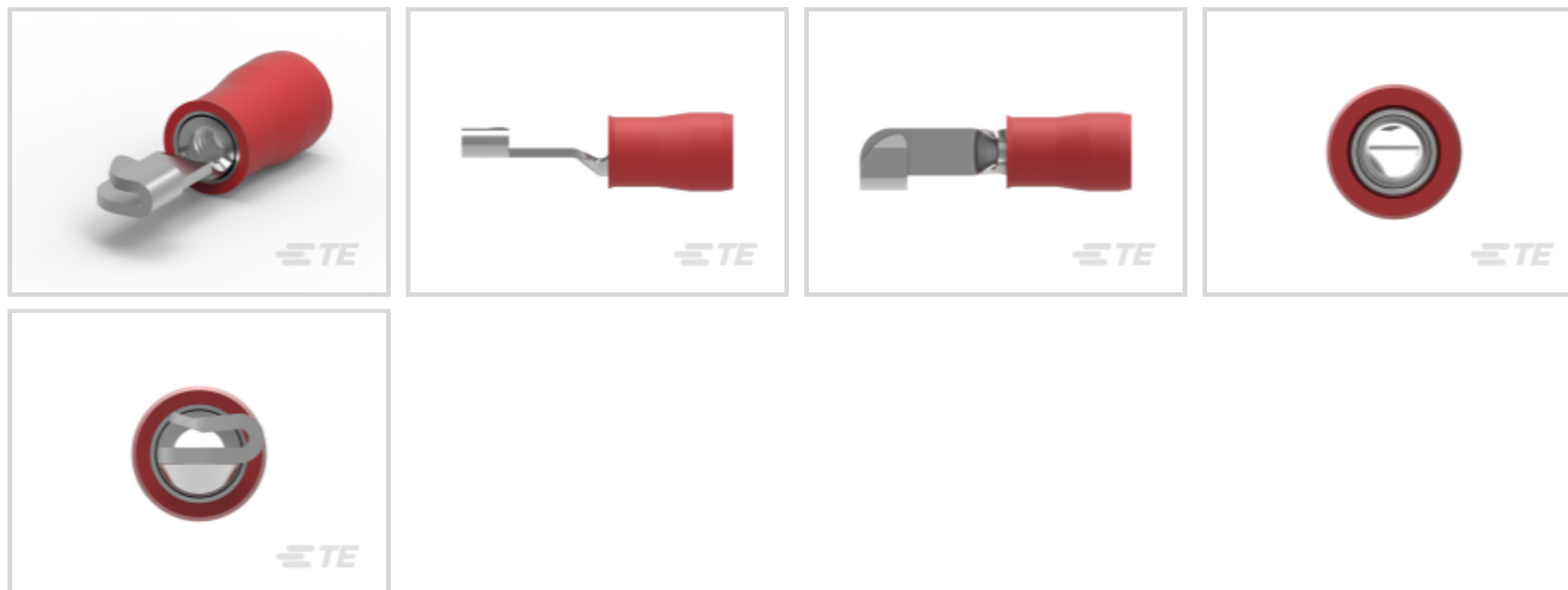
PIDG

TE Internal #: 2-32446-1

Knife Disconnects, Tin, Wire Insulation Support, 22 – 16 AWG Wire Size, .26 – 1.65 mm² Wire Size, .51 – 3.26 kcmil Wire Size, Loose Piece

[View on TE.com >](#)

Terminals & Splices > Knife Disconnects > PIDG Knife Disconnect Splices



Body Plating Material: Tin

Wire Insulation Support: With

Compatible Insulation Diameter (Max): 3.56 mm [.14 in]

Wire Size: .26 – 1.65 mm²

[All PIDG Knife Disconnect Splices \(9\)](#)

Features

Body Features

Insulation Material	Nylon
Body Plating Material	Tin

Mechanical Attachment

Wire Insulation Support	With
-------------------------	------

Dimensions

Compatible Insulation Diameter Range	2.67 – 3.56 mm [.105 – .14 in]
Compatible Insulation Diameter (Max)	3.56 mm [.14 in]
Wire Size	.51 – 3.26 kcmil

Usage Conditions

Operating Temperature (Max)	105 °C [221 °F]
Insulation Option	Partially Insulated
Operating Temperature Range	105 °C [221 °F]

Packaging Features



Packaging Quantity	5000
Packaging Method	Loose Piece

Other

Barrel Color	Red
--------------	-----

Product Compliance

[For compliance documentation, visit the product page on TE.com>](#)

EU RoHS Directive 2011/65/EU	Compliant
EU ELV Directive 2000/53/EC	Compliant
China RoHS 2 Directive MIIT Order No 32, 2016	No Restricted Materials Above Threshold
EU REACH Regulation (EC) No. 1907/2006	Current ECHA Candidate List: JUNE 2023 (235) Candidate List Declared Against: JUNE 2023 (235) Does not contain REACH SVHC
Halogen Content	Low Halogen - Br, Cl, F, I < 900 ppm per homogenous material. Also BFR/CFR/PVC Free
Solder Process Capability	Not applicable for solder process capability

Product Compliance Disclaimer

This information is provided based on reasonable inquiry of our suppliers and represents our current actual knowledge based on the information they provided. This information is subject to change. The part numbers that TE has identified as EU RoHS compliant have a maximum concentration of 0.1% by weight in homogenous materials for lead, hexavalent chromium, mercury, PBB, PBDE, DBP, BBP, DEHP, DIBP, and 0.01% for cadmium, or qualify for an exemption to these limits as defined in the Annexes of Directive 2011/65/EU (RoHS2). Finished electrical and electronic equipment products will be CE marked as required by Directive 2011/65/EU. Components may not be CE marked. Additionally, the part numbers that TE has identified as EU ELV compliant have a maximum concentration of 0.1% by weight in homogenous materials for lead, hexavalent chromium, and mercury, and 0.01% for cadmium, or qualify for an exemption to these limits as defined in the Annexes of Directive 2000/53/EC (ELV). Regarding the REACH Regulation, the information TE provides on SVHC in articles for this part number is based on the latest European Chemicals Agency (ECHA) 'Guidance on requirements for substances in articles' posted at this URL: <https://echa.europa.eu/guidance-documents/guidance-on-reach>

Compatible Parts



Also in the Series | PIDG



Compression Connectors(17)



Crimp Terminal Housings(1)



Crimp Wire Pins, Tabs & Ferrules(41)



Hand Crimping Tools(2)



Knife Disconnects(11)



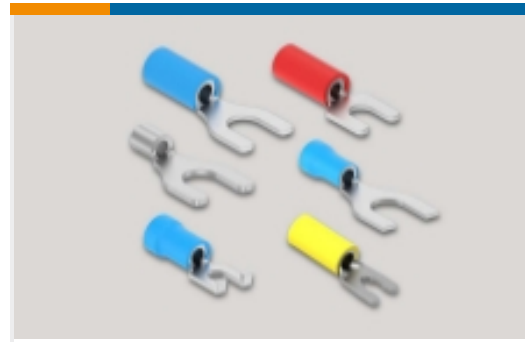
PCB Terminals(7)



Quick Disconnects(49)



Ring Terminals(611)



Spade Terminals(233)



Special Purpose Terminals(1)

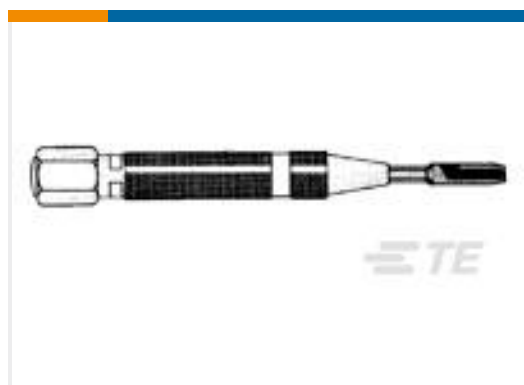


Splices(46)

Customers Also Bought



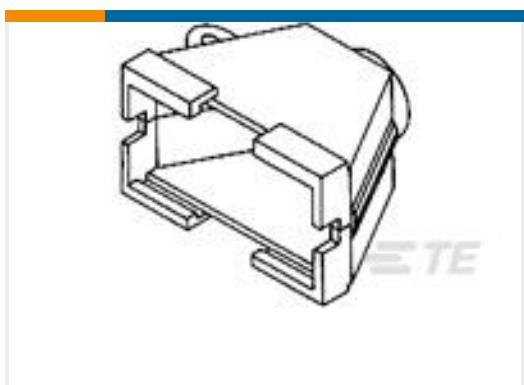
TE Part #200333-8
Pin and Socket Contacts, Type II



TE Part #455830-1
INSERTION TOOL



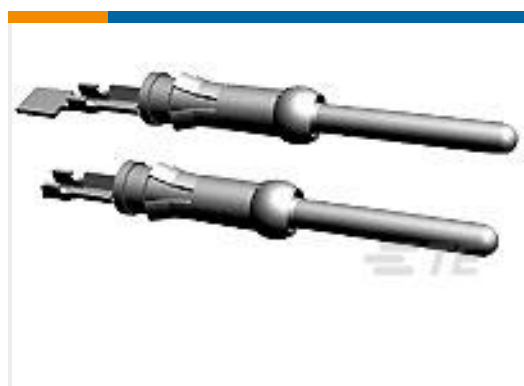
TE Part #688489-000
D-150-0181



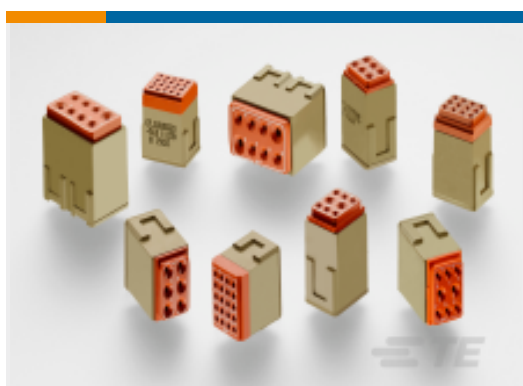
TE Part #350373-1
06P STR/REL HSG HNGD



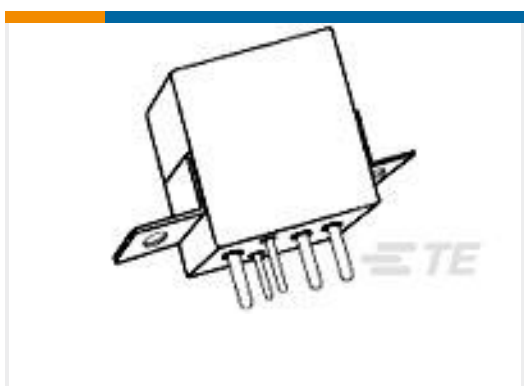
TE Part #211149-1
PIN HSG,25 POSN,METRIMATE



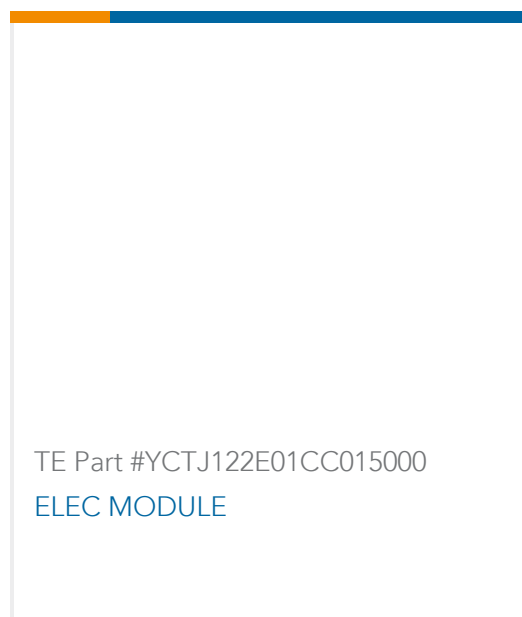
TE Part #66099-2
III+ PIN,18-16,TIN-LEAD,LP



TE Part #CTJ122E05E-513
MODULE ASSY



TE Part #2-1617748-3
FCA-125-17=M6106/19-017



Documents

Product Drawings

[KNIFE DISCONNECT PIDG 22-16](#)

English

CAD Files

Customer View Model

[ENG_CVM_CVM_2-32446-1_Y.2d_dxf.zip](#)

English

[3D PDF](#)

3D

Customer View Model

[ENG_CVM_CVM_2-32446-1_Y.3d_igs.zip](#)

English

Customer View Model

[ENG_CVM_CVM_2-32446-1_Y.3d_stp.zip](#)

English

By downloading the CAD file I accept and agree to the [Terms and Conditions](#) of use.

Product Specifications

[Application Specification](#)

English

Instruction Sheets

[Instruction Sheet \(U.S.\)](#)

English