

2-320857-1 ✓ ACTIVE

SOLISTRAND

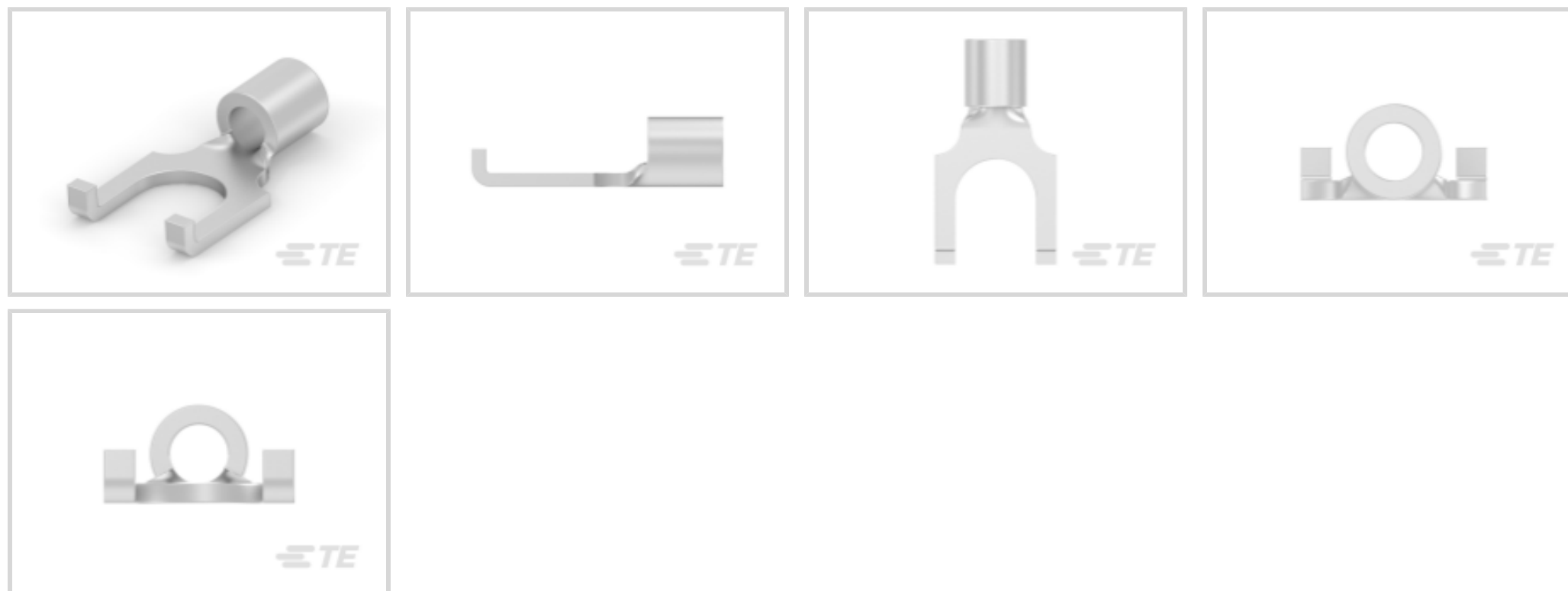
TE Internal #: 2-320857-1

Spade Tongue Terminal, 16 – 14 AWG, #10 Stud Size, 5 mm [.197 in] Stud Diameter, Closed Barrel, Flanged, Tin, Uninsulated

[View on TE.com >](#)



Terminals & Splices > Spade Terminals



Spade Terminal Type: **Spade Tongue Terminal**

Wire Size: **2050 – 5180 CMA**

Stud Size: **#10**

Features

Product Type Features

Stud Size	#10
Sealable	No
Wire Insulation Support Retention Type	Non-Insulation Support

Body Features

Product Weight	.74 g
----------------	-------

Contact Features

Spade Terminal Type	Spade Tongue Terminal
Barrel Type	Closed
Terminal Orientation	Flanged
Terminal Plating Material	Tin

Mechanical Attachment

Wire Insulation Support	Without
-------------------------	---------

Dimensions

Wire Size	2050 – 5180 CMA
Stud Diameter	5 mm [.197 in]
Tongue Thickness	.79 mm [.031 in]



Product Length	13.06 mm[.513 in]
----------------	-------------------

Barrel Inside Diameter	2.16 mm[.085 in]
------------------------	------------------

Usage Conditions

Insulation Option	Uninsulated
-------------------	-------------

Operating Temperature Range	170 °C[338 °F]
-----------------------------	----------------

Operation/Application

Compatible With Wire Base Material	Copper
------------------------------------	--------

Compatible With Wire Plating Material	Tin
---------------------------------------	-----

Industry Standards

Government Qualified Terminal	No
-------------------------------	----

Packaging Features

Packaging Quantity	5000
--------------------	------

Packaging Method	Tape Mounted
------------------	--------------

Product Compliance

[For compliance documentation, visit the product page on TE.com>](#)

EU RoHS Directive 2011/65/EU	Compliant
------------------------------	-----------

EU ELV Directive 2000/53/EC	Compliant
-----------------------------	-----------

China RoHS 2 Directive MIIT Order No 32, 2016	No Restricted Materials Above Threshold
-----------------------------------------------	-----------------------------------------

EU REACH Regulation (EC) No. 1907/2006	Current ECHA Candidate List: JUNE 2023 (235) Candidate List Declared Against: JUNE 2023 (235) Does not contain REACH SVHC
----------------------------------------	---------------------------------------------------------------------------------------------------------------------------------

Halogen Content	Low Halogen - Br, Cl, F, I < 900 ppm per homogenous material. Also BFR/CFR/PVC Free
-----------------	-------------------------------------------------------------------------------------

Solder Process Capability	Not applicable for solder process capability
---------------------------	----------------------------------------------

Product Compliance Disclaimer

This information is provided based on reasonable inquiry of our suppliers and represents our current actual knowledge based on the information they provided. This information is subject to change. The part numbers that TE has identified as EU RoHS compliant have a maximum concentration of 0.1% by weight in homogenous materials for lead, hexavalent chromium, mercury, PBB, PBDE, DBP, BBP, DEHP, DIBP, and 0.01% for cadmium, or qualify for an exemption to these limits as defined in the Annexes of Directive 2011/65/EU (RoHS2). Finished electrical and electronic equipment products will be CE marked as required by Directive 2011/65/EU. Components may not be CE marked. Additionally, the part numbers that TE has identified as EU ELV compliant have a maximum concentration of 0.1% by weight in homogenous materials for lead, hexavalent chromium, and mercury, and 0.01% for cadmium, or qualify for an exemption to these limits as defined in the Annexes of Directive 2000/53/EC (ELV). Regarding the REACH Regulation, the information TE provides

on SVHC in articles for this part number is based on the latest European Chemicals Agency (ECHA) 'Guidance on requirements for substances in articles' posted at this URL: <https://echa.europa.eu/guidance-documents/guidance-on-reach>

Compatible Parts




TE Part # 567200-3
APPL,HDM,TAPE 9CB W/O DIES G



TE Part # 567200-2
APPL,HDM,TAPE 9 CB W/O DIES K



TE Part # 8-320857-1
SOLIS SPD FLG 16-14, 10



TE Part # 69907
DIE, SOLIS 69875 16-14

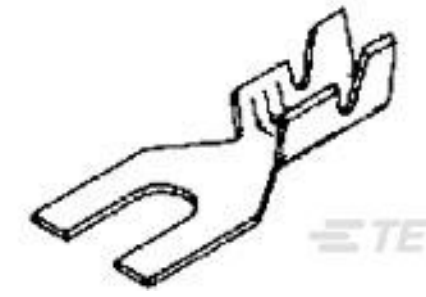
Customers Also Bought



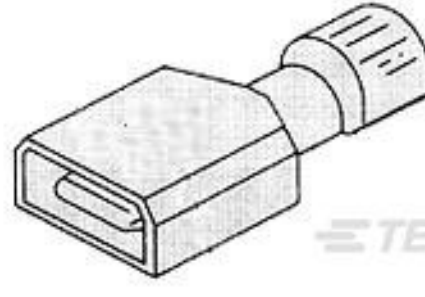
TE Part #DT04-3P-E003
DEUTSCH DT Receptacle Connectors



TE Part #DT06-2S-P012
PLG, 2P, BLK, N, SEAL RET



TE Part #60773-2
SPADE TERMINAL 18-14 AWG TPBR



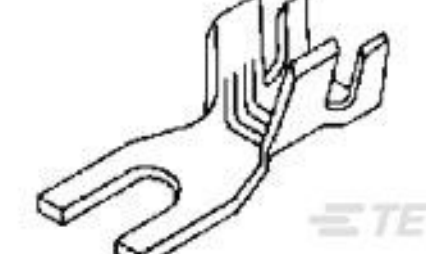
TE Part #2-520102-2
ULTRA-FAST 250 ASSEMBLY TAB 22-18 AWG BR



TE Part #61492-1
SPLICE 2048-5250 .020 BR



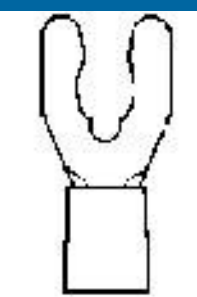
TE Part #61188-1
250 FASTON FLAG REC 16-12 AWG TPBZ



TE Part #61855-1
SPADE 10-6 AWG TPBR



TE Part #2-35771-1
TERMINAL,SOLIS R 12-10 10



TE Part #52956-3
TERMINAL,PG SPR SPD 16-14 8

Documents

Product Drawings

TERMINAL,SOLIS SPD FLG 16-14

English



CAD Files

3D PDF

3D

Customer View Model

[ENG_CVM_CVM_2-320857-1_K.2d_dxf.zip](#)

English

Customer View Model

[ENG_CVM_CVM_2-320857-1_K.3d_igs.zip](#)

English

Customer View Model

[ENG_CVM_CVM_2-320857-1_K.3d_stp.zip](#)

English

By downloading the CAD file I accept and agree to the [Terms and Conditions](#) of use.

Datasheets & Catalog Pages

[SOLISTRAND - QRG](#)

English

[RADIATION_RESISTANT_PRE-INSULATED_TERMINALS_SPLICES](#)

English