

2-320563-3 ✓ ACTIVE



## PIDG

TE Internal #: 2-320563-3

Closed Ring Tongue Terminal, 16 AWG, M6 / 1/4 Stud Size, 6.35 mm [.25 in] Stud Diameter, Closed Barrel, Straight, Tin, Partially Insulated, PIDG

[View on TE.com >](#)

Terminals & Splices > Ring Terminals > PIDG Ring Tongue Terminals



Ring Terminal Product Type: Closed Ring Tongue Terminal

Wire Size: 2800 CMA

Stud Size: 1/4, M6

Stud Diameter: 6.35 mm [.25 in]

[All PIDG Ring Tongue Terminals \(418\)](#)

## Features

### Product Type Features

Ring Terminal Product Type	Closed Ring Tongue Terminal
Stud Size	1/4, M6
Sealable	No
Wire Insulation Support Retention Type	Insulation Restriction

### Configuration Features

Number of Holes	1
-----------------	---

### Electrical Characteristics

Voltage Rating	300 V
----------------	-------

### Body Features

Product Weight	3.98 g
Stripe Color	Blue

### Contact Features

Military Part Class	Class I
---------------------	---------



Barrel Type	Closed
Terminal Orientation	Straight
Terminal Plating Material	Tin

#### Mechanical Attachment

Wire Insulation Support	With
-------------------------	------

#### Dimensions

Wire Size	2800 CMA
Stud Diameter	6.35 mm [.25 in]
Tongue Thickness	.79 mm [.031 in]
Product Length	28.96 mm [1.14 in]
Compatible Insulation Diameter (Max)	3.3 mm [.13 in]
Compatible Insulation Diameter Range	1.6 – 3.3 mm [.063 – .13 in]

#### Usage Conditions

Insulation Option	Partially Insulated
Operating Temperature Range	105 °C [221 °F]

#### Operation/Application

Compatible With Wire Base Material	Copper
Compatible With Wire Plating Material	Tin

#### Industry Standards

Government Qualified Terminal	Yes
-------------------------------	-----

#### Packaging Features

Packaging Quantity	500
Packaging Method	Loose Piece

#### Product Compliance

[For compliance documentation, visit the product page on TE.com>](#)

EU RoHS Directive 2011/65/EU	Compliant
EU ELV Directive 2000/53/EC	Compliant
China RoHS 2 Directive MIIT Order No 32, 2016	No Restricted Materials Above Threshold
EU REACH Regulation (EC) No. 1907/2006	Current ECHA Candidate List: JUNE 2023 (235) Candidate List Declared Against: JAN 2021 (211)

Does not contain REACH SVHC

Halogen Content

Not Low Halogen - contains Br or Cl > 900 ppm.

Solder Process Capability

Not applicable for solder process capability

Product Compliance Disclaimer

This information is provided based on reasonable inquiry of our suppliers and represents our current actual knowledge based on the information they provided. This information is subject to change. The part numbers that TE has identified as EU RoHS compliant have a maximum concentration of 0.1% by weight in homogenous materials for lead, hexavalent chromium, mercury, PBB, PBDE, DBP, BBP, DEHP, DIBP, and 0.01% for cadmium, or qualify for an exemption to these limits as defined in the Annexes of Directive 2011/65/EU (RoHS2). Finished electrical and electronic equipment products will be CE marked as required by Directive 2011/65/EU. Components may not be CE marked. Additionally, the part numbers that TE has identified as EU ELV compliant have a maximum concentration of 0.1% by weight in homogenous materials for lead, hexavalent chromium, and mercury, and 0.01% for cadmium, or qualify for an exemption to these limits as defined in the Annexes of Directive 2000/53/EC (ELV). Regarding the REACH Regulation, the information TE provides on SVHC in articles for this part number is based on the latest European Chemicals Agency (ECHA) 'Guidance on requirements for substances in articles' posted at this URL: <https://echa.europa.eu/guidance-documents/guidance-on-reach>

## Compatible Parts

TE Part # 59170  
T-HEAD PIDG SH 26-14 ASSY

TE Part # 47387  
DAHT PG PIDG 20-14 ASSY

TE Part # 58423-1  
DIE, RBY IS9252

TE Part # 58433-3  
PRO CR ASSY, RBY IS9252

TE Part # 2063030-1  
SDE DIESET, RBY, UL

TE Part # 47806-2  
DIES PIDG 22-16 DIE SET

TE Part # 47807-1  
DIES PIDG 16-14 DIE SET

TE Part # 169404  
CERTI-LOK DIE

## Also in the Series | PIDG

Compression Connectors(17)

Crimp Terminal Housings(1)

Crimp Wire Pins, Tabs & Ferrules(41)

Hand Crimping Tools(2)



Knife Disconnects(11)



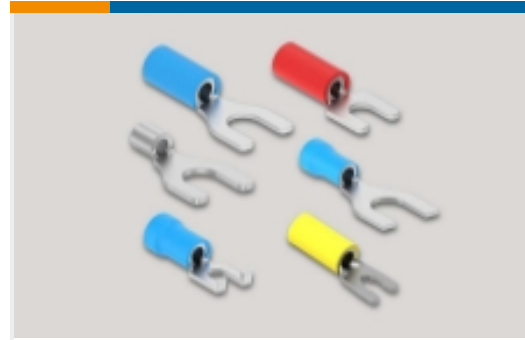
PCB Terminals(7)



Quick Disconnects(49)



Ring Terminals(611)



Spade Terminals(233)



Special Purpose Terminals(1)



Splices(46)

## Customers Also Bought



TE Part #324533  
PIDG Ring Tongue Terminals



TE Part #747299-8  
15 RCPT SP/FMS INSRT



TE Part #205689-2  
PIN BLOCK 28 POS. SPL.



TE Part #205690-2  
SOC. BLOCK 28 POS. SPL.



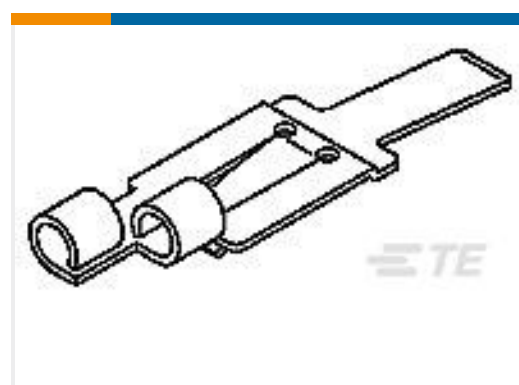
TE Part #1586518-2  
08P CMNL HDR ASSY PC NATL LF



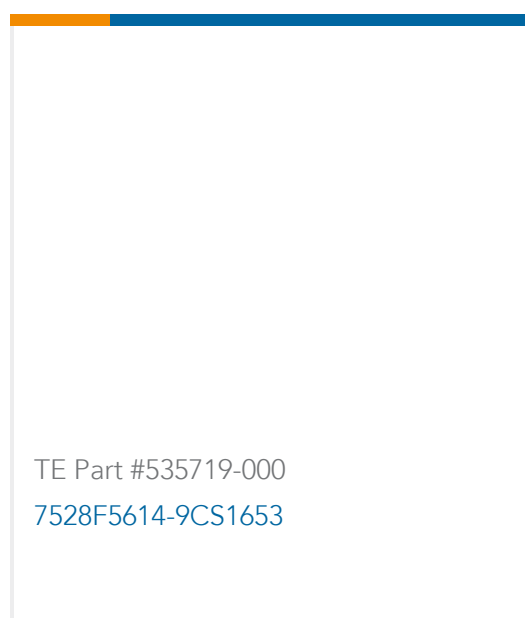
TE Part #8-1393117-0  
KUP-14A15-240=KU



TE Part #1-6609016-1  
6ED1C=F7066 S0



TE Part #53112-1  
FLAG RELAY, SPECIAL-RR 20-16



TE Part #535719-000  
7528F5614-9CS1653

## Documents





### Product Drawings

[TERMINAL,PIDG R IR 16 1/4](#)

English

---

### CAD Files

[3D PDF](#)

3D

Customer View Model

[ENG\\_CVM\\_CVM\\_2-320563-3\\_V.2d\\_dxf.zip](#)

English

Customer View Model

[ENG\\_CVM\\_CVM\\_2-320563-3\\_V.3d\\_igs.zip](#)

English

Customer View Model

[ENG\\_CVM\\_CVM\\_2-320563-3\\_V.3d\\_stp.zip](#)

English

By downloading the CAD file I accept and agree to the [Terms and Conditions](#) of use.

---

### Product Specifications

[Application Specification](#)

English

---

### Product Environmental Compliance

[TE Material Declaration](#)

English

---

### Agency Approvals

[CSA Certificate](#)

English