



SOLISTRAND

TE Internal #: 2-31819-1

Splices, Butt Splice, 16 – 14 AWG Wire Size, 1.25 – 2 mm<sup>2</sup> Wire Size,

Serrated, .085 in [2.16 mm] Barrel Inside Diameter, 2050 – 5180

CMA Wire Size

[View on TE.com >](#)

Terminals & Splices > Splices



Wire Size: 1.25 – 2 mm<sup>2</sup>

Sealable: No

Splice Features: **Serrated**

Barrel Inside Diameter: 2.16 mm [.085 in ]

**Features**

**Product Type Features**

Splice Accessory Type	Splice
Sealable	No
Splice Type	Butt Splice
Compatible With Discrete Wire Type	Solid, Stranded
Wire Insulation Support Retention Type	Non-Insulation Support

**Configuration Features**

Number of Serrations	16
Compatible With Wire & Cable Type	Discrete Wire

**Body Features**

Product Weight	.126 g
Splice Features	Serrated

**Contact Features**

	100 μin
Terminal Plating Material	Tin



Contact Base Material	Copper
Barrel Type	Closed

### Mechanical Attachment

Wire Insulation Support	Without
-------------------------	---------

### Dimensions

Outside Diameter	4.19 mm[.165 in]
Wire Size	2050 – 5180 CMA
Barrel Inside Diameter	2.16 mm[.085 in]
Terminal Material Thickness	.84 mm[.033 in]
Product Length	14.4 mm[.567 in]

### Usage Conditions

Insulation Option	Uninsulated
Operating Temperature Range	170 °C[338 °F]

### Operation/Application

Compatible With Wire Base Material	Copper
------------------------------------	--------

### Industry Standards

Government Qualified Splice	No
-----------------------------	----

### Packaging Features

Packaging Quantity	2500
Packaging Method	Tape Mounted

### Product Compliance

[For compliance documentation, visit the product page on TE.com>](#)

EU RoHS Directive 2011/65/EU	Compliant
EU ELV Directive 2000/53/EC	Compliant
China RoHS 2 Directive MIIT Order No 32, 2016	No Restricted Materials Above Threshold
EU REACH Regulation (EC) No. 1907/2006	Current ECHA Candidate List: JUNE 2023 (235) Candidate List Declared Against: JUNE 2023 (235) Does not contain REACH SVHC
Halogen Content	Low Halogen - Br, Cl, F, I < 900 ppm per homogenous material. Also BFR/CFR/PVC Free

Solder Process Capability

Not applicable for solder process capability

Product Compliance Disclaimer

This information is provided based on reasonable inquiry of our suppliers and represents our current actual knowledge based on the information they provided. This information is subject to change. The part numbers that TE has identified as EU RoHS compliant have a maximum concentration of 0.1% by weight in homogenous materials for lead, hexavalent chromium, mercury, PBB, PBDE, DBP, BBP, DEHP, DIBP, and 0.01% for cadmium, or qualify for an exemption to these limits as defined in the Annexes of Directive 2011/65/EU (RoHS2). Finished electrical and electronic equipment products will be CE marked as required by Directive 2011/65/EU. Components may not be CE marked. Additionally, the part numbers that TE has identified as EU ELV compliant have a maximum concentration of 0.1% by weight in homogenous materials for lead, hexavalent chromium, and mercury, and 0.01% for cadmium, or qualify for an exemption to these limits as defined in the Annexes of Directive 2000/53/EC (ELV). Regarding the REACH Regulation, the information TE provides on SVHC in articles for this part number is based on the latest European Chemicals Agency (ECHA) 'Guidance on requirements for substances in articles' posted at this URL: <https://echa.europa.eu/guidance-documents/guidance-on-reach>


### Compatible Parts



TE Part # 58545-1  
SOLISTRAND 10-22 DIE ASSY



TE Part # 58546-1  
PC 22-10 SOLISSPICE SPL I SHT



TE Part # 49935  
DAHT SOLIS 22-10 ASSY

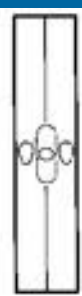


TE Part # 58545-3  
SDE DIE ASSY. 22-10 SOLISTRAND

### Customers Also Bought



TE Part #640583-3  
06P UMNL HDR ASSY R/A 94VO LF



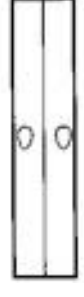
TE Part #330369  
SPLICE,SOLIS BUTT 12-10



TE Part #1-480700-6  
03P UMNL PLUG HSG BLU



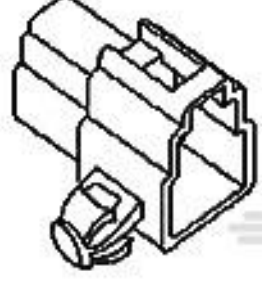
TE Part #2-34855-1  
TERMINAL,PG R 12-10 1/4



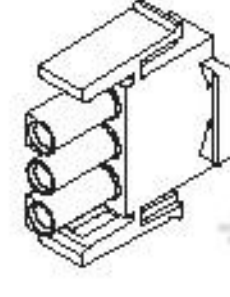
TE Part #31818  
SPLICE, SOLIS, BUTT, 22-16 COMM 22-18MIL



TE Part #NB14932001  
DWP-125-3/8-0-STK



TE Part #172384-1  
CONNECTOR .250 (6.3 MM) HOUSING



TE Part #1586377-1  
03P UMNL PLUG HSG NATL



## Documents

### Product Drawings

[SPLICE,SOLIS BUTT 16-14](#)

English

### CAD Files

Customer View Model

[ENG\\_CVM\\_CVM\\_2-31819-1\\_U.2d\\_dxf.zip](#)

English

[3D PDF](#)

3D

Customer View Model

[ENG\\_CVM\\_CVM\\_2-31819-1\\_U.3d\\_igs.zip](#)

English

Customer View Model

[ENG\\_CVM\\_CVM\\_2-31819-1\\_U.3d\\_stp.zip](#)

English

By downloading the CAD file I accept and agree to the [Terms and Conditions](#) of use.

### Datasheets & Catalog Pages

[SOLISTRAND - QRG](#)

English

### Agency Approvals

[UL Report](#)

English