

2-31811-3 ✓ ACTIVE

SOLISTRAND

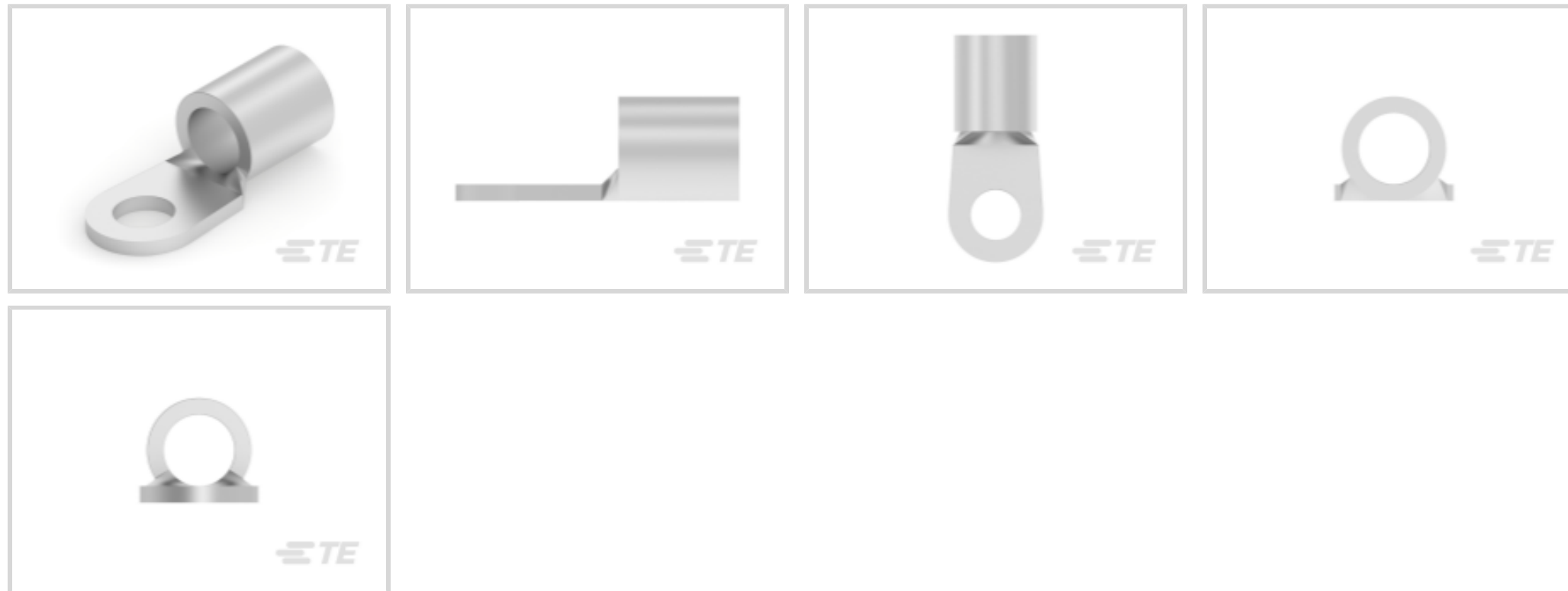
TE Internal #: 2-31811-3

Closed Ring Tongue Terminal, 4 AWG, M6 Stud Size, 6.35 mm [.25 in] Stud Diameter, Closed Barrel, Straight, Tin, Uninsulated

[View on TE.com >](#)



Terminals & Splices > Ring Terminals



Ring Terminal Product Type: Closed Ring Tongue Terminal

Wire Size: 33100 – 52600 CMA

Stud Size: M6

### Features

#### Product Type Features

Ring Terminal Product Type	Closed Ring Tongue Terminal
Stud Size	M6
Sealable	No
Wire Insulation Support Retention Type	Non-Insulation Support

#### Configuration Features

Number of Holes	1
-----------------	---

#### Body Features

Product Weight	8.426 g
----------------	---------

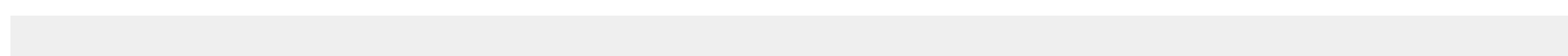
#### Contact Features

Barrel Type	Closed
Terminal Orientation	Straight
Terminal Plating Material	Tin

#### Mechanical Attachment

Wire Insulation Support	Without
-------------------------	---------

#### Dimensions





Wire Size	33100 – 52600 CMA
Stud Diameter	6.35 mm[.25 in]
Tongue Thickness	.79 mm[.031 in]
Product Length	30.45 mm[1.199 in]
Barrel Inside Diameter	7.11 mm[.28 in]

### Usage Conditions

Insulation Option	Uninsulated
Operating Temperature Range	170 °C[338 °F]

### Operation/Application

Compatible With Wire Base Material	Copper
Compatible With Wire Plating Material	Tin

### Industry Standards

Government Qualified Terminal	No
-------------------------------	----

### Packaging Features

Packaging Quantity	500
Packaging Method	Loose Piece

### Product Compliance

[For compliance documentation, visit the product page on TE.com>](#)

EU RoHS Directive 2011/65/EU	Compliant
EU ELV Directive 2000/53/EC	Compliant
China RoHS 2 Directive MIIT Order No 32, 2016	No Restricted Materials Above Threshold
EU REACH Regulation (EC) No. 1907/2006	Current ECHA Candidate List: JUNE 2023 (235) Candidate List Declared Against: JUNE 2023 (235) Does not contain REACH SVHC
Halogen Content	Low Halogen - Br, Cl, F, I < 900 ppm per homogenous material. Also BFR/CFR/PVC Free
Solder Process Capability	Not applicable for solder process capability

#### Product Compliance Disclaimer

This information is provided based on reasonable inquiry of our suppliers and represents our current actual knowledge based on the information they provided. This information is subject to change. The part numbers that TE has identified as EU RoHS compliant have a maximum concentration of 0.1% by weight in homogenous materials for lead, hexavalent chromium, mercury, PBB, PBDE, DBP, BBP, DEHP, DIBP, and 0.01% for cadmium, or qualify for an exemption to these

limits as defined in the Annexes of Directive 2011/65/EU (RoHS2). Finished electrical and electronic equipment products will be CE marked as required by Directive 2011/65/EU. Components may not be CE marked. Additionally, the part numbers that TE has identified as EU ELV compliant have a maximum concentration of 0.1% by weight in homogenous materials for lead, hexavalent chromium, and mercury, and 0.01% for cadmium, or qualify for an exemption to these limits as defined in the Annexes of Directive 2000/53/EC (ELV). Regarding the REACH Regulation, the information TE provides on SVHC in articles for this part number is based on the latest European Chemicals Agency (ECHA) 'Guidance on requirements for substances in articles' posted at this URL: <https://echa.europa.eu/guidance-documents/guidance-on-reach>

## Compatible Parts



TE Part # 59975-1  
HYP10 SOLIS 8-2AWG ASSY



TE Part # 31811  
TERMINAL,SOLIS R 4 1/4



TE Part # 2844090-1  
KIT, BLTI, SOLIS, 8-2 AWG



TE Part # 2844090-2  
KIT, BLTI, SOLIS, 8-2 AWG

## Customers Also Bought



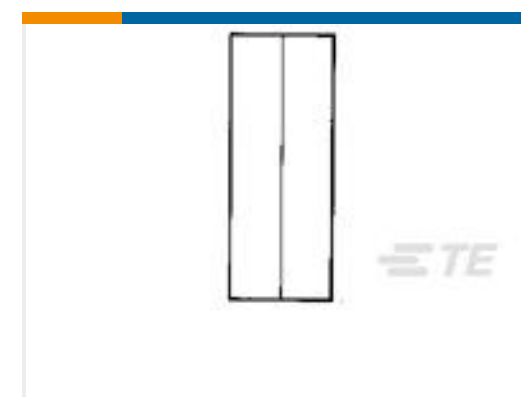
TE Part # T4113011051-000  
M12 M, 5P GOLD A\_CODE RA SHIELDED PG7



TE Part # 36916  
TERMINAL,SOLIS R 1/0 5/16



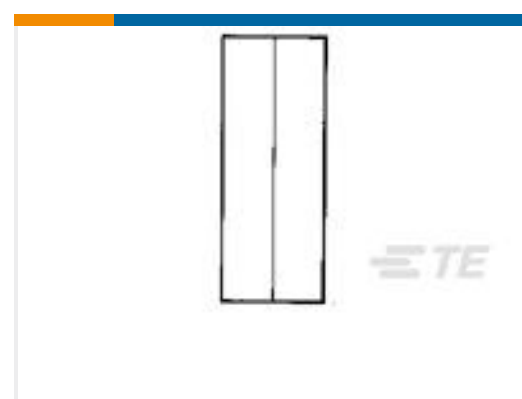
TE Part # 33469  
TERMINAL,SOLIS R 4 1/4



TE Part # 34320  
SPLICE,SOLIS PARA 4



TE Part # 34124  
TERMINAL,SOLIS R 16-14 1/4



TE Part # 34319  
SPLICE,SOLIS PARA 6



TE Part # 6-534206-0  
20 MODII VRT DR CE 100/115



TE Part # 8-33466-3  
TERMINAL,SOLIS R 6 5/16



TE Part # 52745  
SPLICE,COPALUM PARA 8



TE Part # 321598  
TERMINAL,SOLIS R 6 1/4

## Documents



## Product Drawings

### TERMINAL 4 SOLIS RING 1/4

English

---

## CAD Files

### 3D PDF

English

#### Customer View Model

[ENG\\_CVM\\_2-31811-3\\_H.2d\\_dxf.zip](#)

English

#### Customer View Model

[ENG\\_CVM\\_2-31811-3\\_H.3d\\_igs.zip](#)

English

#### Customer View Model

[ENG\\_CVM\\_2-31811-3\\_H.3d\\_stp.zip](#)

English

### 3D PDF

3D

#### Customer View Model

[ENG\\_CVM\\_CVM\\_2-31811-3\\_AA.2d\\_dxf.zip](#)

English

#### Customer View Model

[ENG\\_CVM\\_CVM\\_2-31811-3\\_AA.3d\\_igs.zip](#)

English

#### Customer View Model

[ENG\\_CVM\\_CVM\\_2-31811-3\\_AA.3d\\_stp.zip](#)

English

By downloading the CAD file I accept and agree to the [Terms and Conditions](#) of use.

---

## Product Environmental Compliance

### TE Material Declaration

English