

2-2834006-1 ✓ ACTIVE

Buchanan WireMate

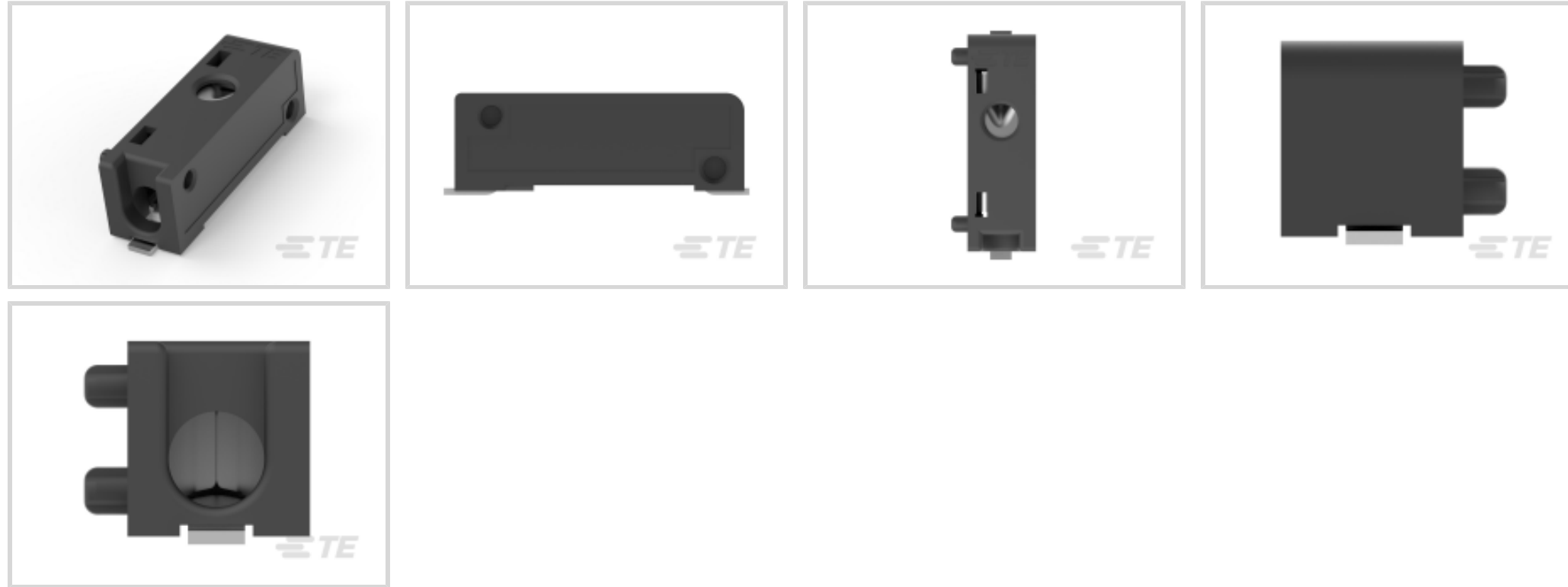
TE Internal #: 2-2834006-1

Poke-In Connectors, Wire-to-Board, 1 Position, 4 mm Centerline,
Printed Circuit Board, Height .176 in [4.48 mm], Surface Mount, 18 –
22 AWG Wire Size

[View on TE.com >](#)



Connectors > Lighting Connectors > Poke-In Connectors > Poke-In Connector, BUCHANAN WireMate



Connector System: **Wire-to-Board**

Number of Positions: 1

Centerline (Pitch): 4 mm

Connector & Contact Terminates To: **Printed Circuit Board**

Connector Height: 4.48 mm [.176 in]

[All Poke-In Connector, BUCHANAN WireMate \(51\)](#)

Features

Product Type Features

Product Line	Poke-In
Connector System	Wire-to-Board
Connector & Contact Terminates To	Printed Circuit Board

Configuration Features

Number of Positions	1
---------------------	---

Electrical Characteristics

Operating Voltage	400 VAC
-------------------	---------

Body Features

Primary Product Color	Natural
-----------------------	---------

Contact Features

PCB Contact Termination Area Plating Material Finish	Matte
Contact Underplating Material	Nickel



PCB Contact Termination Area Plating Material	Tin-Lead
---	----------

Contact Current Rating (Max)	6 A
------------------------------	-----

Termination Features

Termination Method to Printed Circuit Board	Surface Mount
---	---------------

Mechanical Attachment

Connector Mounting Type	Board Mount
-------------------------	-------------

Housing Features

Centerline (Pitch)	4 mm
--------------------	------

Dimensions

Compatible Insulation Diameter Range	2.1 mm
--------------------------------------	--------

Connector Height	4.48 mm [.176 in]
------------------	-------------------

Wire Size	18 – 22 AWG
-----------	-------------

Industry Standards

Agency/Standard	UL
-----------------	----

Approved Standards	UL 1977, UL E28476
--------------------	--------------------

UL Flammability Rating	UL 94V-0
------------------------	----------

Packaging Features

Packaging Method	Tape & Reel
------------------	-------------

Product Compliance

[For compliance documentation, visit the product page on TE.com>](#)

EU RoHS Directive 2011/65/EU	Compliant
------------------------------	-----------

EU ELV Directive 2000/53/EC	Compliant
-----------------------------	-----------

China RoHS 2 Directive MIIT Order No 32, 2016	No Restricted Materials Above Threshold
---	---

EU REACH Regulation (EC) No. 1907/2006	Current ECHA Candidate List: JUNE 2023 (235) Candidate List Declared Against: JUNE 2023 (235) Does not contain REACH SVHC
--	---

Halogen Content	Low Halogen - Br, Cl, F, I < 900 ppm per homogenous material. Also BFR/CFR/PVC Free
-----------------	---

Solder Process Capability	Reflow solder capable to 245°C
---------------------------	--------------------------------

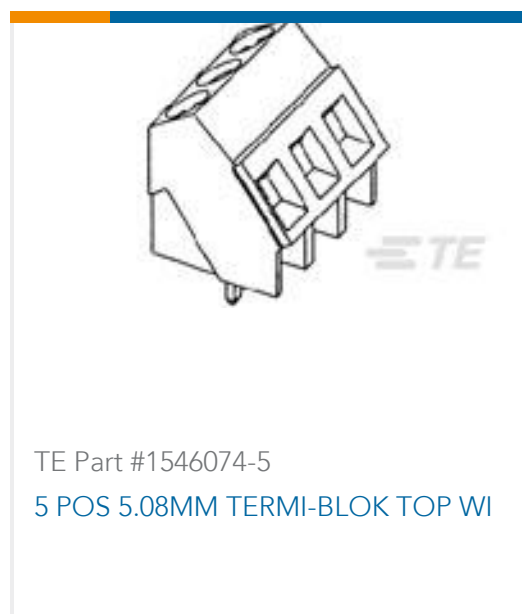
This information is provided based on reasonable inquiry of our suppliers and represents our current actual knowledge based on the information they provided. This information is subject to change. The part numbers that TE has identified as EU RoHS compliant have a maximum concentration of 0.1% by weight in homogenous materials for lead, hexavalent chromium, mercury, PBB, PBDE, DBP, BBP, DEHP, DIBP, and 0.01% for cadmium, or qualify for an exemption to these limits as defined in the Annexes of Directive 2011/65/EU (RoHS2). Finished electrical and electronic equipment products will be CE marked as required by Directive 2011/65/EU. Components may not be CE marked. Additionally, the part numbers that TE has identified as EU ELV compliant have a maximum concentration of 0.1% by weight in homogenous materials for lead, hexavalent chromium, and mercury, and 0.01% for cadmium, or qualify for an exemption to these limits as defined in the Annexes of Directive 2000/53/EC (ELV). Regarding the REACH Regulation, the information TE provides on SVHC in articles for this part number is based on the latest European Chemicals Agency (ECHA) 'Guidance on requirements for substances in articles' posted at this URL: <https://echa.europa.eu/guidance-documents/guidance-on-reach>

Compatible Parts



Customers Also Bought





Documents

CAD Files

3D PDF

3D

Customer View Model

[ENG_CVM_CVM_2-2834006-1_B.2d_dxf.zip](#)

English

Customer View Model

[ENG_CVM_CVM_2-2834006-1_B.3d_igs.zip](#)

English

Customer View Model

[ENG_CVM_CVM_2-2834006-1_B.3d_stp.zip](#)

English

By downloading the CAD file I accept and agree to the [Terms and Conditions](#) of use.

Datasheets & Catalog Pages

Modular Releasable Poke-in datasheet

English

BUCHANAN WireMate Connectors Brochure

BUCHANAN WireMate Connectors Brochure

English

Modular Releasable Poke-in datasheet (Chinese)

Product Specifications

Application Specification

English