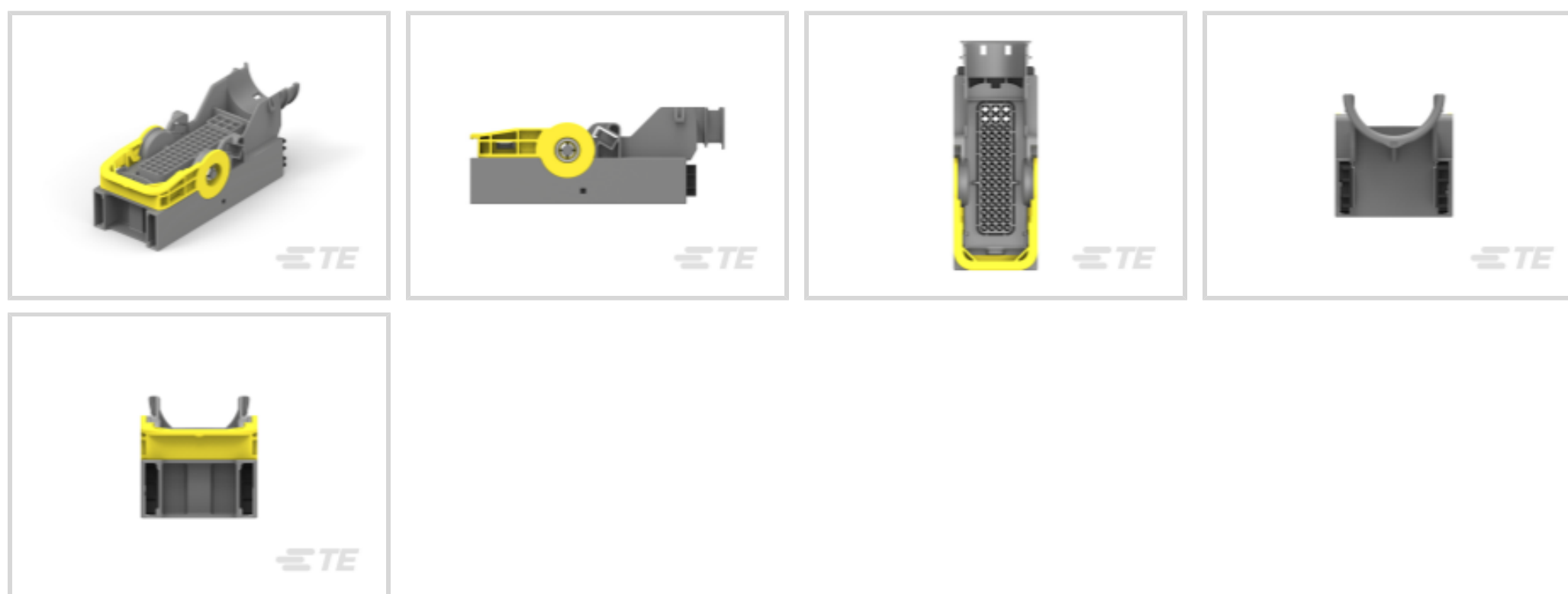




TE Internal #: 2-2293551-1
 Housing for Female Terminals, Wire-to-Panel / Wire-to-Wire, 62
 Position, .197 in / .157 in [5 mm / 4 mm] Centerline, Sealable, Gray,
 Wire & Cable

[View on TE.com >](#)

Connectors > Automotive Connectors > Automotive Housings



Connector System: **Wire-to-Panel, Wire-to-Wire**
 Number of Positions: **62**
 Connector & Housing Type: **Housing for Female Terminals**
 Centerline (Pitch): **4 mm, 5 mm [.157 in, .197 in]**
 Sealable: **Yes**

Features

Product Type Features

Mixed & Hybrid Connector	Yes
Connector Shape	Rectangular
Connector System	Wire-to-Panel, Wire-to-Wire
Connector & Housing Type	Housing for Female Terminals
Sealable	Yes
Connector & Contact Terminates To	Wire & Cable
Primary Locking Feature	Locking Lance

Configuration Features

Number of Positions	62
Number of Rows	3, 4

Electrical Characteristics

Operating Voltage	36 VDC
Nominal Voltage Architecture	12 V

Body Features

--	--



Primary Product Color	Gray
-----------------------	------

Connector & Keying Code	B
-------------------------	---

Contact Features

Contact Size	1.5K, 2.8mm
--------------	-------------

Contact Type	Receptacle
--------------	------------

Mating Tab Width	2.8 mm[.11 in]
------------------	----------------

Contact Current Rating (Max)	40 A
------------------------------	------

Mechanical Attachment

Mating Alignment Type	Keyed
-----------------------	-------

Mating Alignment	With
------------------	------

Connector Mounting Type	Cable Mount (Free-Hanging)
-------------------------	----------------------------

Housing Features

Centerline (Pitch)	4 mm, 5 mm[.157 in][.197 in]
--------------------	------------------------------

Dimensions

Row-to-Row Spacing	4 mm, 5.5 mm[.157 in][.216 in]
--------------------	--------------------------------

Usage Conditions

Operating Temperature (Max)	120 °C[248 °F]
-----------------------------	----------------

Operating Temperature Range	-40 – 120 °C[-40 – 248 °F]
-----------------------------	----------------------------

Operation/Application

Circuit Application	Power & Signal
---------------------	----------------

Other

Connector Position Assurance Capable	Yes
--------------------------------------	-----

Product Compliance

[For compliance documentation, visit the product page on TE.com>](#)

EU RoHS Directive 2011/65/EU	Compliant
------------------------------	-----------

EU ELV Directive 2000/53/EC	Compliant
-----------------------------	-----------

China RoHS 2 Directive MIIT Order No 32, 2016	No Restricted Materials Above Threshold
---	---

EU REACH Regulation (EC) No. 1907/2006	Current ECHA Candidate List: JUNE 2023 (235) Candidate List Declared Against: JAN 2023 (233) Does not contain REACH SVHC
--	--




Halogen Content	Low Halogen - Br, Cl, F, I < 900 ppm per homogenous material. Also BFR/CFR/PVC Free
-----------------	---

Solder Process Capability	Not reviewed for solder process capability
---------------------------	--

Product Compliance Disclaimer

This information is provided based on reasonable inquiry of our suppliers and represents our current actual knowledge based on the information they provided. This information is subject to change. The part numbers that TE has identified as EU RoHS compliant have a maximum concentration of 0.1% by weight in homogenous materials for lead, hexavalent chromium, mercury, PBB, PBDE, DBP, BBP, DEHP, DIBP, and 0.01% for cadmium, or qualify for an exemption to these limits as defined in the Annexes of Directive 2011/65/EU (RoHS2). Finished electrical and electronic equipment products will be CE marked as required by Directive 2011/65/EU. Components may not be CE marked. Additionally, the part numbers that TE has identified as EU ELV compliant have a maximum concentration of 0.1% by weight in homogenous materials for lead, hexavalent chromium, and mercury, and 0.01% for cadmium, or qualify for an exemption to these limits as defined in the Annexes of Directive 2000/53/EC (ELV). Regarding the REACH Regulation, the information TE provides on SVHC in articles for this part number is based on the latest European Chemicals Agency (ECHA) 'Guidance on requirements for substances in articles' posted at this URL: <https://echa.europa.eu/guidance-documents/guidance-on-reach>

Compatible Parts



TE Part # CAT-L489-H342
LEAVYSEAL Headers



TE Part # 2-1718324-1
1.5/2.8MM TAB HSG.,62POS.,SEALED



TE Part # 964972-1
EINZELLEITERDICHTNG



TE Part # 1718328-1
FIXING SLIDE



TE Part # 1418882-1
COVER FOR 62POS.REC.HSG



TE Part # CAT-AM705-T273
AMP MCP, RECEPTACLE AND TAB

Customers Also Bought



TE Part #7-968975-1
AMP MCP Unsealed Connector Housings



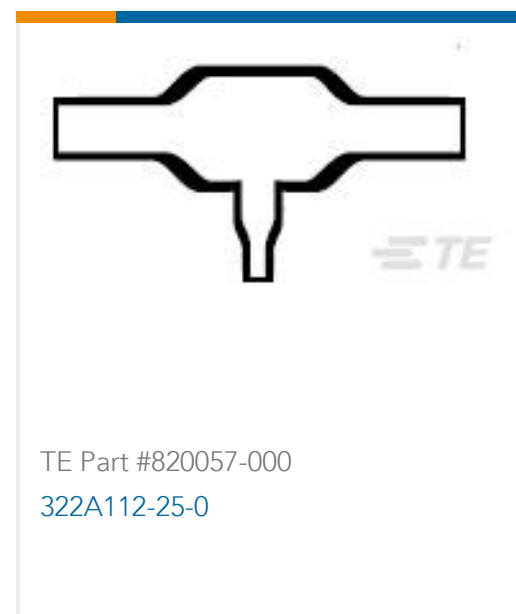
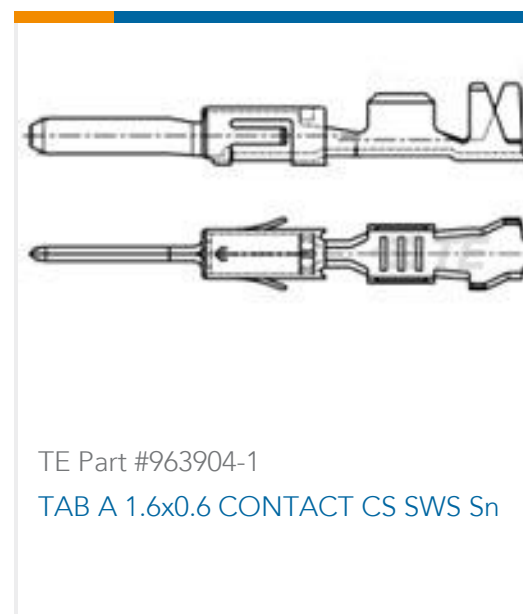
TE Part #1-2112035-1
26POS, MIXED,REC HSG,ASSY, SEALED



TE Part #3-794618-8
08P MICRO MNL ASSY R/A HDR LF



TE Part #8-1879494-9
CRGH0603 5% 4K7 0.2W



Documents

Product Drawings

62POS,MIXED,REC HSG,ASSY,SLD

English

CAD Files

3D PDF

3D

Customer View Model

[ENG_CVM_CVM_2-2293551-1_A.2d_dxf.zip](#)

English

Customer View Model

[ENG_CVM_CVM_2-2293551-1_A.3d_igs.zip](#)

English

Customer View Model

[ENG_CVM_CVM_2-2293551-1_A.3d_stp.zip](#)

English

By downloading the CAD file I accept and agree to the [Terms and Conditions](#) of use.

Product Specifications

Application Specification

German