

2-2205132-1 ✓ ACTIVE



TE Internal #: 2-2205132-1
INDUSTRIAL MINI I/O Cable Assembly, 8 Positions, 1.64 ft [.5 m], 1
Gb/s, Black Cable, Equalized, Shielded, 26 AWG, .129 mm²,
Twisted Pair

[View on TE.com >](#)

Cable Assemblies > Copper Cable Assemblies > Pluggable I/O Cable Assemblies



Cable Assembly Type: INDUSTRIAL MINI I/O

Equalized: Yes

Wire Size: .129 mm²

Outside Cable Diameter: 6.2 mm [.244 in]

Features

Product Type Features

Latching Style	Slide Latch
Cable Assembly Category	Industry Standard
Cable Assembly Type	INDUSTRIAL MINI I/O
Connector Type (End A)	INDUSTRIAL MINI I/O Plug
Connector Type (End B)	INDUSTRIAL MINI I/O Plug
Cable Style	Twisted Pair

Configuration Features

Number of Positions	8
Number of Signal Positions	8

Electrical Characteristics

Impedance	100 Ω
-----------	-------

Signal Characteristics

Data Rate	1 Gb/s
-----------	--------

Body Features

Shield Material	Copper Alloy
-----------------	--------------



Jacket Material	PUR
Equalized	Yes
Cable Color	Black
Cable Flammability Rating	UL 444

Contact Features

Contact Mating Area Plating Material Thickness	19.68 μm [.5 μin]
Contact Mating Area Plating Material	Gold

Housing Features

Housing Material	Thermoplastic
------------------	---------------

Dimensions

Wire Size	.129 mm ²
Outside Cable Diameter	6.2 mm [.244 in]

Operation/Application

Shielded	Yes
Halogen Free	Yes

Industry Standards

Performance Category	Cat 5e
----------------------	--------

Other

Cable Assembly Configuration	Double Ended
Cable Assembly Length	.5 m [1.64 ft]

Product Compliance

For compliance documentation, visit the product page on [TE.com](https://www.te.com)>

EU RoHS Directive 2011/65/EU	Compliant
EU ELV Directive 2000/53/EC	Compliant
China RoHS 2 Directive MIIT Order No 32, 2016	No Restricted Materials Above Threshold
EU REACH Regulation (EC) No. 1907/2006	Current ECHA Candidate List: JUNE 2023 (235) Candidate List Declared Against: JAN 2021 (211) Does not contain REACH SVHC
Halogen Content	Not Low Halogen - contains Br or Cl > 900 ppm.
Solder Process Capability	Not applicable for solder process capability

Product Compliance Disclaimer

This information is provided based on reasonable inquiry of our suppliers and represents our current actual knowledge based on the information they provided. This information is subject to change. The part numbers that TE has identified as EU RoHS compliant have a maximum concentration of 0.1% by weight in homogenous materials for lead, hexavalent chromium, mercury, PBB, PBDE, DBP, BBP, DEHP, DIBP, and 0.01% for cadmium, or qualify for an exemption to these limits as defined in the Annexes of Directive 2011/65/EU (RoHS2). Finished electrical and electronic equipment products will be CE marked as required by Directive 2011/65/EU. Components may not be CE marked. Additionally, the part numbers that TE has identified as EU ELV compliant have a maximum concentration of 0.1% by weight in homogenous materials for lead, hexavalent chromium, and mercury, and 0.01% for cadmium, or qualify for an exemption to these limits as defined in the Annexes of Directive 2000/53/EC (ELV). Regarding the REACH Regulation, the information TE provides on SVHC in articles for this part number is based on the latest European Chemicals Agency (ECHA) 'Guidance on requirements for substances in articles' posted at this URL: <https://echa.europa.eu/guidance-documents/guidance-on-reach>

Compatible Parts



TE Part # 1-2201864-1
MINI I/O REC KIT TYPE II L



TE Part # 1-2201855-2
MINI I/O PLUG KIT TYPE II M



TE Part # 2229737-2
MINI I/O PIERCING TYPE HAND TOOL

Customers Also Bought



TE Part #9-1462037-9
IM06CGR=IM RELAY 140mW12V HDV



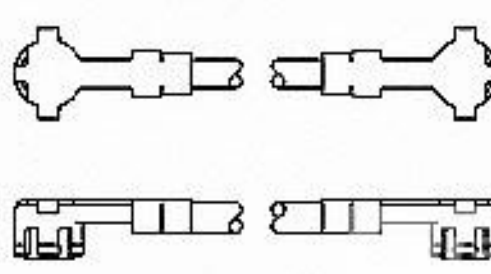
TE Part #3-2176055-7
RLP73K 2B R33 1% 1K RL



TE Part #2-2205131-1
CA MINI IO MINI IO TYPE I



TE Part #770587-1
24P MINI UMNL PLUG HSG



TE Part #1064524-1
9960 1100 24



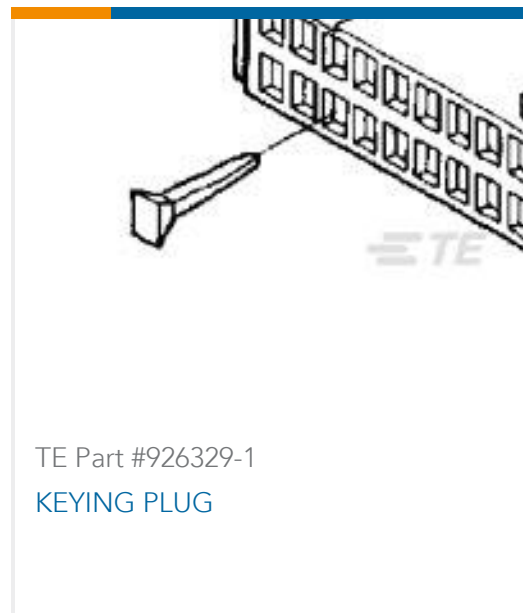
TE Part #2-2205132-3
CA MINI IO MINI IO TYPE II



TE Part #2294415-1
INDUSTRIAL MINI I/O HDR TYPE I TRAY



TE Part #1055688-1
2367 5001 54, VERT PLUG TRAY



Documents

Product Drawings

CA MINI IO MINI IO TYPE II

English

CAD Files

3D PDF

3D

Customer View Model

[ENG_CVM_CVM_2-2205132-1_B.2d_dxf.zip](#)

English

Customer View Model

[ENG_CVM_CVM_2-2205132-1_B.3d_igs.zip](#)

English

Customer View Model

[ENG_CVM_CVM_2-2205132-1_B.3d_stp.zip](#)

English

By downloading the CAD file I accept and agree to the [Terms and Conditions](#) of use.

Product Specifications

Application Specification

English