

3522100RFT ✓ ACTIVE

CGS | CGS 3522

TE Internal #: 2-2176231-5

100  $\Omega$ , Thick Film, Power Resistor, 1 %, 2 Termination, 2512, Taped & Reeled, 3 W,  $\pm 100$  ppm/ $^{\circ}\text{C}$ , Solder, 6.35 x 3.2 x .55 mm, CGS 3522

[View on TE.com >](#)



Passive Components > Resistors > Surface Mount Resistors > SMD Power Resistor: 3 Watt, 1% Tol



Resistor Type: **Power Resistor**

Number of Terminations: **2**

Package Size Code: **2512**

Packaging Method: **Taped & Reeled**

Passive Component Tolerance: **1 %**

[All SMD Power Resistor: 3 Watt, 1% Tol \(140\)](#)

## Features

### Product Type Features

Product Type	Fixed Resistor
Resistor Type	Power Resistor
Package Size Code	2512
Element Type	Thick Film

### Configuration Features

Number of Resistors	1
---------------------	---

### Electrical Characteristics

Passive Component Tolerance	1 %
Resistance Class	Up to 1k $\Omega$
Resistance Value	100 $\Omega$
Power Rating	3 W

### Termination Features

Number of Terminations	2
Surface Mount Resistor Termination Type	Solder

### Dimensions

Passive Component Dimensions	6.35 x 3.2 x .55 mm
------------------------------	---------------------

### Usage Conditions



Temperature Coefficient	±100 ppm/°C
-------------------------	-------------

**Packaging Features**

Packaging Method	Taped & Reeled
------------------	----------------

**Product Compliance**

For compliance documentation, visit the product page on TE.com>

EU RoHS Directive 2011/65/EU	Compliant with Exemptions
EU ELV Directive 2000/53/EC	Compliant with Exemptions
China RoHS 2 Directive MIIT Order No 32, 2016	Restricted Materials Above Threshold
EU REACH Regulation (EC) No. 1907/2006	Current ECHA Candidate List: JUNE 2023 (235) Candidate List Declared Against: JUNE 2023 (235) Does not contain REACH SVHC
Halogen Content	Low Halogen - Br, Cl, F, I < 900 ppm per homogenous material. Also BFR/CFR/PVC Free
Solder Process Capability	Reflow solder capable to 260°C

Product Compliance Disclaimer

This information is provided based on reasonable inquiry of our suppliers and represents our current actual knowledge based on the information they provided. This information is subject to change. The part numbers that TE has identified as EU RoHS compliant have a maximum concentration of 0.1% by weight in homogenous materials for lead, hexavalent chromium, mercury, PBB, PBDE, DBP, BBP, DEHP, DIBP, and 0.01% for cadmium, or qualify for an exemption to these limits as defined in the Annexes of Directive 2011/65/EU (RoHS2). Finished electrical and electronic equipment products will be CE marked as required by Directive 2011/65/EU. Components may not be CE marked. Additionally, the part numbers that TE has identified as EU ELV compliant have a maximum concentration of 0.1% by weight in homogenous materials for lead, hexavalent chromium, and mercury, and 0.01% for cadmium, or qualify for an exemption to these limits as defined in the Annexes of Directive 2000/53/EC (ELV). Regarding the REACH Regulation, the information TE provides on SVHC in articles for this part number is based on the latest European Chemicals Agency (ECHA) 'Guidance on requirements for substances in articles' posted at this URL: <https://echa.europa.eu/guidance-documents/guidance-on-reach>

**Compatible Parts**



TE Part # CAT-C339-A76B  
SMD Power Resistor: 3 Watt, 1% Tol



TE Part # 4-2176230-2  
3522 2K2 5% 3W

## Also in the Series | CGS 3522



Surface Mount Resistors(211)

## Customers Also Bought



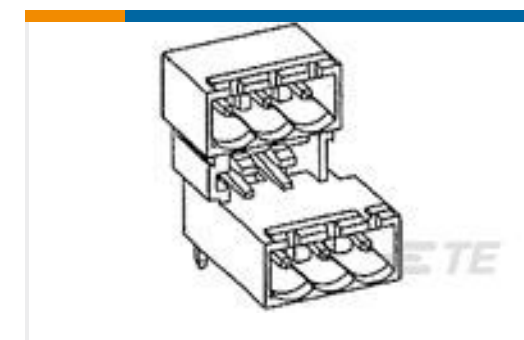
TE Part #3-1879233-1  
SMW5 1R8 5%



TE Part #641966-1  
03P UMNL PIN HDR ASSY 94VO



TE Part #643414-1  
03P UMNL HDR ASSY POL 94VO



TE Part #284061-4  
TERMI-BLOK HDR 90, 5,08MM P.MU



TE Part #1-2176322-7  
SMV 1W 2M2 5%



TE Part #2102436-2  
FORTIS LRM, RIGHT ANGLE HEADER



TE Part #4-1437559-6  
MTM106DPC=SW TOG SHORT LEVER  
P



TE Part #T2192502035-000  
HCM250-FC-35



TE Part #ZPF000000000105213  
DTS 20 W 25-61 UN-A957

## Documents

### Product Drawings

3522 100R 1% 3W

English

### CAD Files

3D PDF

3D



**Customer View Model**

[ENG\\_CVM\\_CVM\\_2-2176231-5\\_BA.2d\\_dxf.zip](#)

English

**Customer View Model**

[ENG\\_CVM\\_CVM\\_2-2176231-5\\_BA.3d\\_igs.zip](#)

English

**Customer View Model**

[ENG\\_CVM\\_CVM\\_2-2176231-5\\_BA.3d\\_stp.zip](#)

English

By downloading the CAD file I accept and agree to the [Terms and Conditions](#) of use.

---

**Datasheets & Catalog Pages**

[SMD POWER RESISTORS - TYPE 3522 SERIES](#)

English

---

**Product Environmental Compliance**

[TE Material Declaration](#)

English