



TE Internal #: 2-2064140-2

Rugged Fiber Cable Assemblies, Fiber Optic Cable (FOCAB) ODC, .21 in [5.5 mm] Diameter, 2 Fibers, Black, Blue, Black Cable, ODC Boot Type (Left)

[View on TE.com >](#)

Fiber Optics > Fiber Optic Cable Assemblies > Rugged Fiber Cable Assemblies



Fiber Optic Cable Type: **Fiber Optic Cable (FOCAB) ODC**

Cable Assembly Fiber Diameter: **9/125 μm**

Outside Cable Diameter: **5.5 mm [ .21 in ]**

Number of Fibers: **2**

Connector Color (End A): **Black**

### Features

#### Product Type Features

|                                    |                               |
|------------------------------------|-------------------------------|
| Rugged Fiber Cable Assembly System | FullAXS                       |
| Fiber Optic Cable Type             | Fiber Optic Cable (FOCAB) ODC |
| Fiber Optic Mode                   | Singlemode                    |
| Connector Type (End A)             | ODC Plug                      |
| Connector Type (End B)             | LC DUAL Plug                  |
| Cable Assembly Type                | ODC to LC DUAL                |
| Fiber Type                         | SM                            |

#### Configuration Features

|                  |          |
|------------------|----------|
| Number of Fibers | 2        |
| Cable Buffering  | Buffered |

#### Body Features

|                         |       |
|-------------------------|-------|
| Connector Color (End A) | Black |
| Connector Color (End B) | Blue  |
| Cable Color             | Black |



|                  |     |
|------------------|-----|
| Boot Type (Left) | ODC |
|------------------|-----|

|                   |               |
|-------------------|---------------|
| Boot Type (Right) | Bend Limiting |
|-------------------|---------------|

|                   |       |
|-------------------|-------|
| Boot Color (Left) | Black |
|-------------------|-------|

|                    |      |
|--------------------|------|
| Boot Color (Right) | Blue |
|--------------------|------|

### Dimensions

|                               |               |
|-------------------------------|---------------|
| Cable Assembly Fiber Diameter | 9/125 $\mu$ m |
|-------------------------------|---------------|

|                        |                 |
|------------------------|-----------------|
| Outside Cable Diameter | 5.5 mm [.21 in] |
|------------------------|-----------------|

### Other

|                       |      |
|-----------------------|------|
| Cable Assembly Length | 22 m |
|-----------------------|------|

## Product Compliance

[For compliance documentation, visit the product page on TE.com>](#)

|                              |                           |
|------------------------------|---------------------------|
| EU RoHS Directive 2011/65/EU | Compliant with Exemptions |
|------------------------------|---------------------------|

|                             |                           |
|-----------------------------|---------------------------|
| EU ELV Directive 2000/53/EC | Compliant with Exemptions |
|-----------------------------|---------------------------|

|   |                                      |
|---|--------------------------------------|
| China RoHS 2 Directive MIIT Order No 32, 2016 | Restricted Materials Above Threshold |
|---|--------------------------------------|

|  |  |
|--|--|
| EU REACH Regulation (EC) No. 1907/2006 | <p>Current ECHA Candidate List: JUNE 2023 (235)</p> <p>Candidate List Declared Against: JUL 2021 (219)</p> <p>SVHC &gt; Threshold:</p> <p>Pb (3.7% in Component part)</p> <p><b>Article Safe Usage Statements:</b><br/>Do not eat, drink or smoke when using this product. Wash thoroughly after handling. Recycle if possible and dispose of the article by following all applicable governmental regulations relevant to your geographic location.</p> |
|--|--|

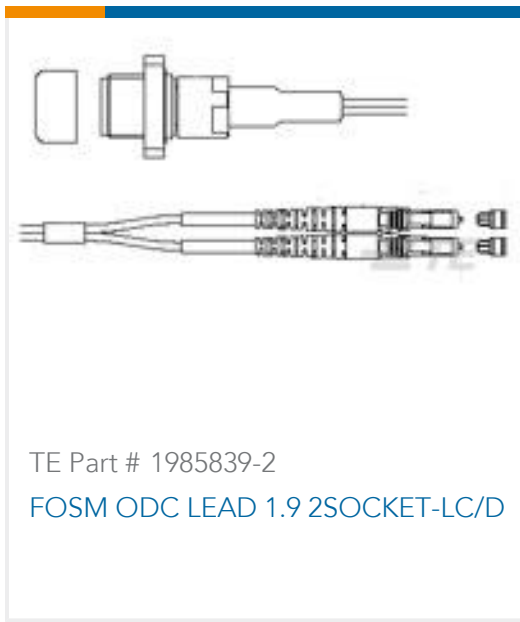
|                 |  |
|-----------------|--|
| Halogen Content | Not Low Halogen - contains Br or Cl > 900 ppm. |
|-----------------|--|

|                           |  |
|---------------------------|--|
| Solder Process Capability | Not applicable for solder process capability |
|---------------------------|--|

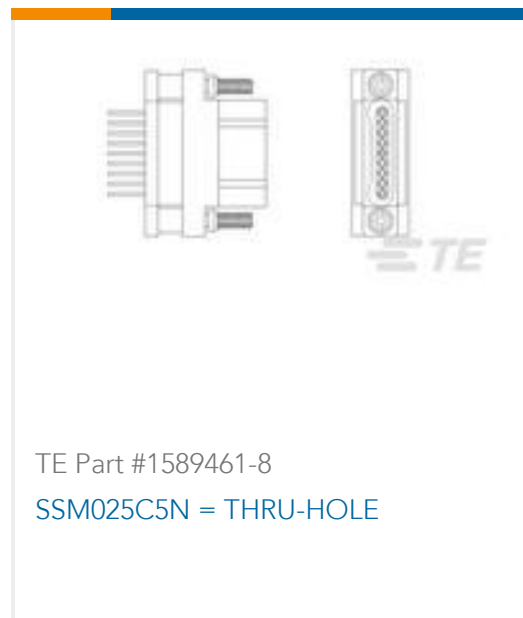
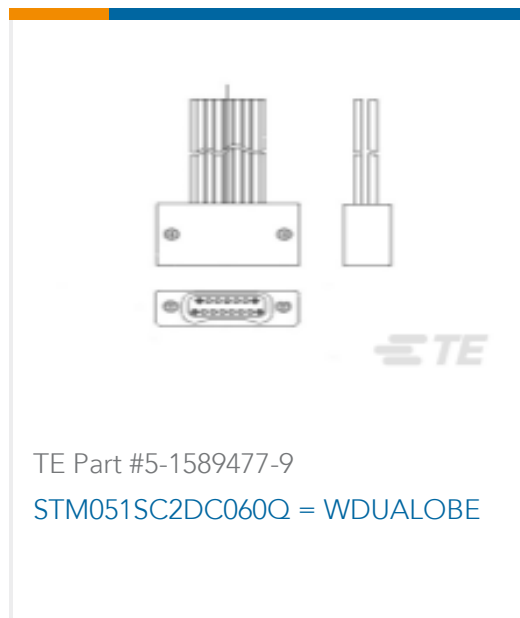
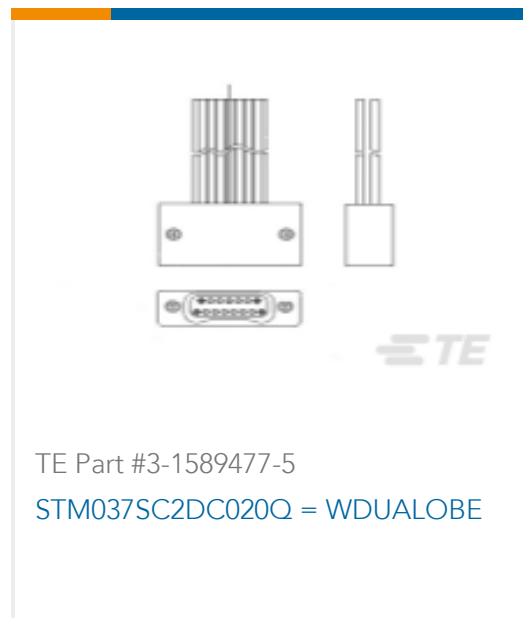
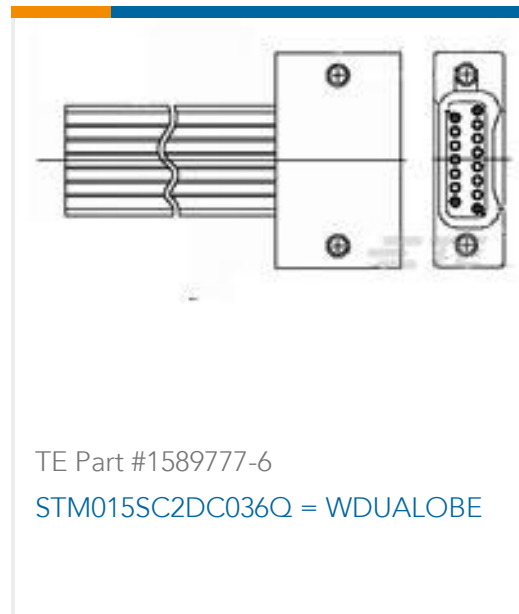
#### Product Compliance Disclaimer

This information is provided based on reasonable inquiry of our suppliers and represents our current actual knowledge based on the information they provided. This information is subject to change. The part numbers that TE has identified as EU RoHS compliant have a maximum concentration of 0.1% by weight in homogenous materials for lead, hexavalent chromium, mercury, PBB, PBDE, DBP, BBP, DEHP, DIBP, and 0.01% for cadmium, or qualify for an exemption to these limits as defined in the Annexes of Directive 2011/65/EU (RoHS2). Finished electrical and electronic equipment products will be CE marked as required by Directive 2011/65/EU. Components may not be CE marked. Additionally, the part numbers that TE has identified as EU ELV compliant have a maximum concentration of 0.1% by weight in homogenous materials for lead, hexavalent chromium, and mercury, and 0.01% for cadmium, or qualify for an exemption to these limits as defined in the Annexes of Directive 2000/53/EC (ELV). Regarding the REACH Regulation, the information TE provides on SVHC in articles for this part number is based on the latest European Chemicals Agency (ECHA) 'Guidance on requirements for substances in articles' posted at this URL: <https://echa.europa.eu/guidance-documents/guidance-on-reach>

## Compatible Parts



## Customers Also Bought



## Documents

### Product Drawings

FOSM ODC LEAD 5.5 2PLUG-LC/PC

English

### CAD Files

3D PDF

3D

### Customer View Model

ENG\_CVM\_CVM\_2-2064140-2\_C.2d\_dxf.zip



English

**Customer View Model**

[ENG\\_CVM\\_CVM\\_2-2064140-2\\_C.3d\\_igs.zip](#)

English

**Customer View Model**

[ENG\\_CVM\\_CVM\\_2-2064140-2\\_C.3d\\_stp.zip](#)

English

By downloading the CAD file I accept and agree to the [Terms and Conditions](#) of use.

**Product Specifications**

[Application Specification](#)

English