

SQBW40150RJFASTON ✓ ACTIVE

CGS | CGS SQ

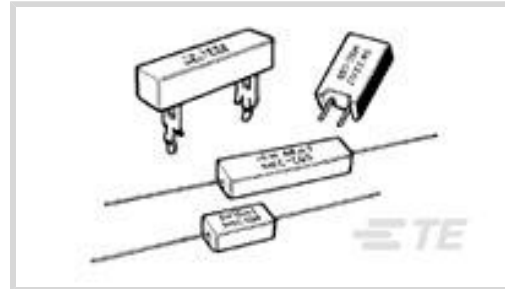
TE Internal #: 2-1879068-5

150 Ω , Wire Wound, Power Resistor, 5 %, 10.5 x 8 x 18 mm, 2 Termination, Loose Piece - Box, 40 W, ± 300 ppm/ $^{\circ}\text{C}$, Radial-Leaded FASTON, CGS SQ

[View on TE.com >](#)



Passive Components > Resistors > Through-Hole Resistors > Wirewound Resistor: Horizontal Mount



Resistor Type: **Power Resistor**

Passive Component Dimensions: **10.5 x 8 x 18 mm**

Number of Terminations: **2**

Packaging Method: **Loose Piece - Box**

Passive Component Tolerance: **5 %**

[All Wirewound Resistor: Horizontal Mount \(157\)](#)

Features

Product Type Features

Product Type	Fixed Resistor
Resistor Type	Power Resistor
Element Type	Wire Wound

Configuration Features

Number of Resistors	1
---------------------	---

Electrical Characteristics

Passive Component Tolerance	5 %
Resistance Class	Up to 1k Ω
Resistance Value	150 Ω
Power Rating	40 W

Body Features

Passive Component Lead Type	Radial-Leaded FASTON
-----------------------------	----------------------

Termination Features

Number of Terminations	2
------------------------	---

Dimensions

Passive Component Dimensions	10.5 x 8 x 18 mm
------------------------------	------------------



Usage Conditions

Temperature Coefficient	±300 ppm/°C
-------------------------	-------------

Packaging Features

Packaging Method	Loose Piece - Box
------------------	-------------------

Product Compliance

[For compliance documentation, visit the product page on TE.com>](#)

EU RoHS Directive 2011/65/EU	Compliant
EU ELV Directive 2000/53/EC	Compliant
China RoHS 2 Directive MIIT Order No 32, 2016	No Restricted Materials Above Threshold
EU REACH Regulation (EC) No. 1907/2006	Current ECHA Candidate List: JUNE 2023 (235) Candidate List Declared Against: JUNE 2023 (235) Does not contain REACH SVHC
Halogen Content	Low Halogen - Br, Cl, F, I < 900 ppm per homogenous material. Also BFR/CFR/PVC Free
Solder Process Capability	Wave solder capable to 265°C

Product Compliance Disclaimer

This information is provided based on reasonable inquiry of our suppliers and represents our current actual knowledge based on the information they provided. This information is subject to change. The part numbers that TE has identified as EU RoHS compliant have a maximum concentration of 0.1% by weight in homogenous materials for lead, hexavalent chromium, mercury, PBB, PBDE, DBP, BBP, DEHP, DIBP, and 0.01% for cadmium, or qualify for an exemption to these limits as defined in the Annexes of Directive 2011/65/EU (RoHS2). Finished electrical and electronic equipment products will be CE marked as required by Directive 2011/65/EU. Components may not be CE marked. Additionally, the part numbers that TE has identified as EU ELV compliant have a maximum concentration of 0.1% by weight in homogenous materials for lead, hexavalent chromium, and mercury, and 0.01% for cadmium, or qualify for an exemption to these limits as defined in the Annexes of Directive 2000/53/EC (ELV). Regarding the REACH Regulation, the information TE provides on SVHC in articles for this part number is based on the latest European Chemicals Agency (ECHA) 'Guidance on requirements for substances in articles' posted at this URL: <https://echa.europa.eu/guidance-documents/guidance-on-reach>

Compatible Parts



Also in the Series | CGS SQ



Through-Hole Resistors(662)

Customers Also Bought



TE Part #59804-1
MAINTENANCE TOOL



TE Part #3-640427-3
03P MTA156 CONN ASSY 20AWG YEL



TE Part #1-1393219-0
PE014024



TE Part #3-644465-4
04P MTA156 CONN ASSY 18AWG
ORA



TE Part #1393194-9
T77S1D10-12



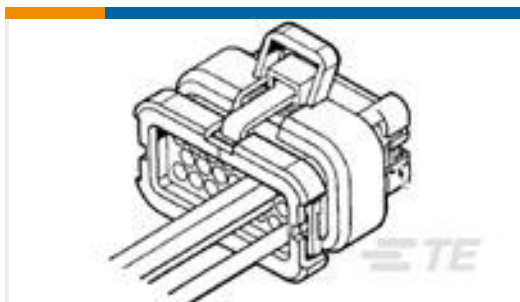
TE Part #1-1419108-9
RT444012F



TE Part #1-1625892-0
3W SM M/OX 5% 10K



TE Part #2-2176399-6
3502 33K 5%



TE Part #776164-2
35POS,AMPSEAL,SOC HSG ASSY,SLD,
COD 2



TE Part #1614902-4
CPF0805 1K1 0.1% 25PPM

Documents

Product Drawings

[SQB40 150R 5% \(WIRE\) 6.35MM FASTON](#)

English

Datasheets & Catalog Pages

[4-1773460-6_RESISTIVE_SOLUTIONS_RAIL](#)

English

SQBW40150RJFASTON

150 Ω , Wire Wound, Power Resistor, 5 %, 10.5 x 8 x 18 mm, 2 Termination, Loose
Piece - Box, 40 W, ± 300 ppm/ $^{\circ}\text{C}$, Radial-Leaded FASTON, CGS SQ



[1309350_PASSIVE_COMPONENT](#)

English

[8-1773459-4_POWER_FILTERING_AND_RESISTIVE_SOLUTIONS_FOR_ELEVATORS_AND_ESCALATORS](#)

English