



Relays, Contactors & Switches > Switches > Push Button Switches



Configuration (Pole-Throw): **Single Pole - Single Throw**

Push Button Switch Product Type: **Switch**

Number of Actuators: **Single**

Actuator Profile: **Flush**

Bushing Style: **Unthreaded**

Features

Product Type Features

Switch Type	Pushbutton
Dust Proof	No
Push Button Switch Product Type	Switch
Illuminated	No
Actuator Style	Round

Configuration Features

ESD Grounding Terminal	Without
Ganged	No
Configuration (Pole-Throw)	Single Pole - Single Throw
Number of Actuators	Single
Snap Action	Without
Support Bracket	Without
Tactile	Yes
Operating Function	Off (On)

Electrical Characteristics

Push Button Switch Voltage Rating	20 VDC
-----------------------------------	--------

Body Features

Seal Type	Terminal Seal (Epoxy)
Actuator Force	50 – 400 g[1.77 – 14.12 oz]

Case Material	Thermoplastic (LCP)
Actuator Material	Thermoplastic
Actuator Profile	Flush
Bushing Style	Unthreaded
Actuator Color	Black

Contact Features

Contact Base Material	Copper Alloy
Push Button Switch Contact Current Rating	.4 A
Switch Contact Plating Material	Gold

Termination Features

Termination Type	Printed Circuit
------------------	-----------------

Mechanical Attachment

Mounting Angle	Right Angle
Push Button Switch Mounting Type	Through Hole

Housing Features

Low Profile	No
Process Sealed	No

Dimensions

	0 in
Button Width	3.81 mm [.15 in]

Usage Conditions

Temperature Rating	Standard
--------------------	----------

Packaging Features

Packaging Method	Bulk
------------------	------

Product Compliance

[For compliance documentation, visit the product page on TE.com>](#)

EU RoHS Directive 2011/65/EU	Compliant with Exemptions
EU ELV Directive 2000/53/EC	Compliant with Exemptions
China RoHS 2 Directive MIIT Order No 32, 2016	Restricted Materials Above Threshold
EU REACH Regulation (EC) No. 1907/2006	Current ECHA Candidate List: JUNE 2023 (235)

Candidate List Declared Against: JUNE 2022 (224)

SVHC > Threshold:

Pb (3.7% in component)

Article Safe Usage Statements:

Do not eat, drink or smoke when using this product. Wash thoroughly after handling. Recycle if possible and dispose of the article by following all applicable governmental regulations relevant to your geographic location.

Halogen Content

Not Yet Reviewed for halogen content

Solder Process Capability

Wave solder capable to 265°C

Product Compliance Disclaimer

This information is provided based on reasonable inquiry of our suppliers and represents our current actual knowledge based on the information they provided. This information is subject to change. The part numbers that TE has identified as EU RoHS compliant have a maximum concentration of 0.1% by weight in homogenous materials for lead, hexavalent chromium, mercury, PBB, PBDE, DBP, BBP, DEHP, DIBP, and 0.01% for cadmium, or qualify for an exemption to these limits as defined in the Annexes of Directive 2011/65/EU (RoHS2). Finished electrical and electronic equipment products will be CE marked as required by Directive 2011/65/EU. Components may not be CE marked. Additionally, the part numbers that TE has identified as EU ELV compliant have a maximum concentration of 0.1% by weight in homogenous materials for lead, hexavalent chromium, and mercury, and 0.01% for cadmium, or qualify for an exemption to these limits as defined in the Annexes of Directive 2000/53/EC (ELV). Regarding the REACH Regulation, the information TE provides on SVHC in articles for this part number is based on the latest European Chemicals Agency (ECHA) 'Guidance on requirements for substances in articles' posted at this URL: <https://echa.europa.eu/guidance-documents/guidance-on-reach>

Compatible Parts



TE Part # 1825095-1
TP11CGPC004



TE Part # 1825095-2
TP11CGPC204



TE Part # 1825095-3
TP11CGRA004



TE Part # 1825097-5
TPB11CGRAES004



TE Part # 6-1437571-1
TPB11CGRAES0=SW PUSHBUTTON SPD



TE Part # 7-1437572-1
TPF11CGPCE0=SEALED TPF11CG-P



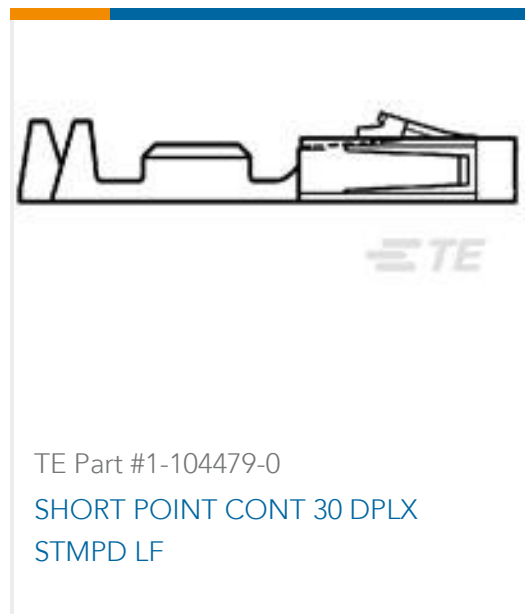
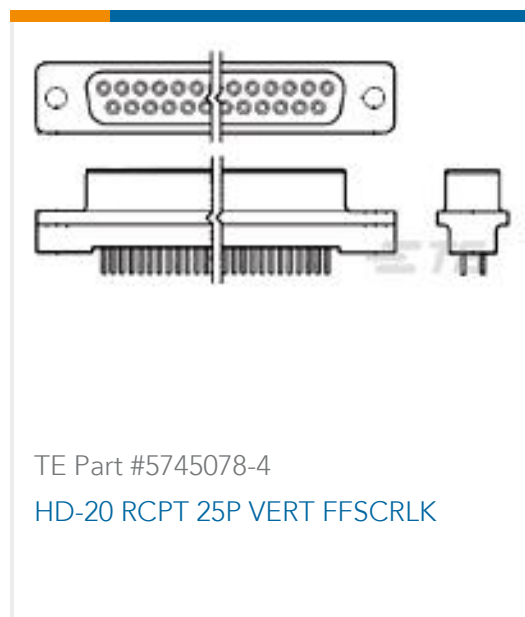
TE Part # 7-1437571-7
TPB11FGVRA0=TINY PUSHBUTTON



TE Part # 1437571-4
TP11CGPC0=SWITCH P/B N/O BLACK



Customers Also Bought



Documents



Product Drawings

[TPBF11CGRA004](#)

English

CAD Files

Customer View Model

[ENG_CVM_CVM_2-1825097-1_B.3d_igs.zip](#)

English

Customer View Model

[ENG_CVM_CVM_2-1825097-1_B.3d_stp.zip](#)

English

Customer View Model

[ENG_CVM_CVM_2-1825097-1_B.2d_dxf.zip](#)

English

3D PDF

3D

By downloading the CAD file I accept and agree to the [Terms and Conditions](#) of use.

Datasheets & Catalog Pages

[SWITCHES_CORE_PROGRAM_CATALOG](#)

English

Product Environmental Compliance

[MD_2-1825097-1_080220121258](#)

English

[MD_2-1825097-1_080220121258](#)

English