



Products Unlimited | Products Unlimited 3100

TE Internal #: 2-1672124-6

TE Internal Description: 3100-20T5999=CONTACTOR

DP Contactors, 2 Pole

[View on TE.com >](#)

Relays, Contactors & Switches > Contactors > Definite Purpose Contactors > DP Contactors, 2 Pole



Pole Configuration: **2**

Definite Purpose Contactor Coil Voltage Rating: **120 VAC**

Definite Purpose Contactor Contact Current Rating: **25 A**

Definite Purpose Contactor Mounting Type: **Panel**

Definite Purpose Contactor Contact Arrangement: **2 Form X, DPST-NO-DM**

[All DP Contactors, 2 Pole \(0\)](#)

## Features

### Product Type Features

Molded	No
Product Category	Electromechanical Relays
Product Type	Contactors
Arc Cover	Without
Product Classification	Relays - Contactors
Model	96
Contactors Type	Definite Purpose
Terminal Configuration	10-32 Screw, Quick Connect

### Electrical Characteristics

Actuating System	AC
Coil Voltage (Max)	120 VAC
Definite Purpose Contactor Coil Voltage Rating	120 VAC
Definite Purpose Contactor Coil Resistance	250 Ω
Definite Purpose Contactor Contact Switching Voltage (Max)	600 VAC

### Contact Features

Contact Base Material	Silver Cadmium Oxide
Pole Configuration	2



Definite Purpose Contactor Contact Current Rating	25 A
---	------

Definite Purpose Contactor Contact Arrangement	2 Form X, DPST-NO-DM
--	----------------------

### Termination Features

Coil Termination	Quick Connect
------------------	---------------

### Mechanical Attachment

Mounting Plate	With
----------------	------

Definite Purpose Contactor Mounting Type	Panel
--	-------

### Dimensions

Wire Size	1.31 – 8.37 mm <sup>2</sup>
-----------	-----------------------------

### Industry Standards

UL Flammability Rating	UL 94V-0
------------------------	----------

Agency Approval	CSA Certified, SEMKO Certified, UL Recognized
-----------------	---

### Packaging Features

Packaging Method	Loose Piece
------------------	-------------

### Other

Comment	Stranding must be split for 8 AWG wire.
---------	---

Torque	25 in-lbs
--------	-----------

### Product Compliance

[For compliance documentation, visit the product page on TE.com>](#)

EU RoHS Directive 2011/65/EU	Compliant with Exemptions
------------------------------	---------------------------

EU ELV Directive 2000/53/EC	Not Compliant
-----------------------------	---------------

China RoHS 2 Directive MIIT Order No 32, 2016	Restricted Materials Above Threshold
---	--------------------------------------

EU REACH Regulation (EC) No. 1907/2006	<p>Current ECHA Candidate List: JUNE 2023 (235)</p> <p>Candidate List Declared Against: JUNE 2022 (224)</p> <p>SVHC &gt; Threshold:</p> <p>Cadmium oxide (10.81% in Component Part)</p>
--	---

**Article Safe Usage Statements:**

Use personal protective equipment as required. Do not eat, drink or smoke when using this product. Recycle if possible and dispose of the article by following all applicable governmental regulations relevant to your geographic location.

Halogen Content	Not Yet Reviewed for halogen content
-----------------	--------------------------------------

Solder Process Capability	Not applicable for solder process capability
---------------------------	--

#### Product Compliance Disclaimer

This information is provided based on reasonable inquiry of our suppliers and represents our current actual knowledge based on the information they provided. This information is subject to change. The part numbers that TE has identified as EU RoHS compliant have a maximum concentration of 0.1% by weight in homogenous materials for lead, hexavalent chromium, mercury, PBB, PBDE, DBP, BBP, DEHP, DIBP, and 0.01% for cadmium, or qualify for an exemption to these limits as defined in the Annexes of Directive 2011/65/EU (RoHS2). Finished electrical and electronic equipment products will be CE marked as required by Directive 2011/65/EU. Components may not be CE marked. Additionally, the part numbers that TE has identified as EU ELV compliant have a maximum concentration of 0.1% by weight in homogenous materials for lead, hexavalent chromium, and mercury, and 0.01% for cadmium, or qualify for an exemption to these limits as defined in the Annexes of Directive 2000/53/EC (ELV). Regarding the REACH Regulation, the information TE provides on SVHC in articles for this part number is based on the latest European Chemicals Agency (ECHA) 'Guidance on requirements for substances in articles' posted at this URL: <https://echa.europa.eu/guidance-documents/guidance-on-reach>

## Compatible Parts



TE Part # 8-32589-2  
TERMINAL,PIDG SPD 12-10 10



TE Part # 2-36161-3  
TERMINAL,PIDG R IR 12 10



TE Part # 175022-1  
250 PL EX REC. 18-14AWG PTBR

## Also in the Series | Products Unlimited 3100



Definite Purpose Contactors(2)

## Customers Also Bought



TE Part #206070-8  
CABLE CLAMP KIT #17



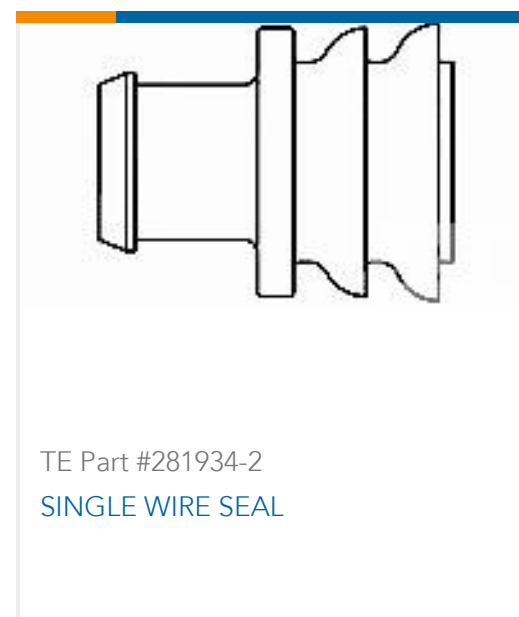
TE Part #DT04-2P  
REC, 2P, GRY, N



TE Part #DT06-2S  
PLG, 2P, GRY, N



TE Part #W2S  
Wedgelocks: DEUTSCH DT



## Documents

### CAD Files

#### Customer View Model

[ENG\\_CVM\\_CVM\\_2-1672124-6\\_D.3d\\_igs.zip](#)

English

#### Customer View Model

[ENG\\_CVM\\_CVM\\_2-1672124-6\\_D.3d\\_stp.zip](#)

English

#### Customer View Model

[ENG\\_CVM\\_CVM\\_2-1672124-6\\_D.2d\\_dxf.zip](#)

English

### 3D PDF

3D

#### Customer View Model

[ENG\\_CVM\\_2-1672124-6\\_0303.3d\\_igs.zip](#)

English

#### Customer View Model

[ENG\\_CVM\\_2-1672124-6\\_0303.3d\\_stp.zip](#)

English

#### Customer View Model

[ENG\\_CVM\\_2-1672124-6\\_0303.2d\\_dxf.zip](#)

English

### 3D PDF

English

### 3D PDF

3D

By downloading the CAD file I accept and agree to the [Terms and Conditions](#) of use.

### Datasheets & Catalog Pages

[Model 96 - 3100 Definite Purpose Contactor 1- or 2-pole, 20-40 FLA AC Coil](#)

English

### Product Specifications

[Definitions General Purpose Relays](#)

English

