



Passive Components > Resistors > Through-Hole Resistors



Resistor Type: **High Value/High Voltage Resistor**

Passive Component Dimensions: **26.5 x 3 mm**

Number of Terminations: **2**

Packaging Method: **Loose Piece - Tray**

Passive Component Tolerance: **1 %**

## Features

### Product Type Features

Product Type	Fixed Resistor
Resistor Type	High Value/High Voltage Resistor
Element Type	Thick Film

### Configuration Features

Number of Resistors	1
---------------------	---

### Electrical Characteristics

Voltage Rating	7500 V
Passive Component Tolerance	1 %
Resistance Class	1M $\Omega$ – 1G $\Omega$
Resistance Value	3M $\Omega$
Power Rating	2 W

### Body Features

Passive Component Lead Type	Radial-Leaded
-----------------------------	---------------

### Termination Features

Number of Terminations	2
Passive Component Termination Material Type	Tinned Copper Leads

### Dimensions

Passive Component Dimensions	26.5 x 3 mm
------------------------------	-------------



### Usage Conditions

Operating Temperature Range	-55 – 125 °C
Temperature Coefficient	±100 ppm/°C

### Packaging Features

Packaging Method	Loose Piece - Tray
------------------	--------------------

### Product Compliance

[For compliance documentation, visit the product page on TE.com>](#)

EU RoHS Directive 2011/65/EU	Compliant with Exemptions
EU ELV Directive 2000/53/EC	Compliant with Exemptions
China RoHS 2 Directive MIIT Order No 32, 2016	Restricted Materials Above Threshold
EU REACH Regulation (EC) No. 1907/2006	Current ECHA Candidate List: JUNE 2023 (235) Candidate List Declared Against: JUNE 2023 (235) Does not contain REACH SVHC
Halogen Content	BFR/CFR/PVC Free, but Br/Cl >900 ppm in other sources.
Solder Process Capability	Hand solderable with lead free solder

#### Product Compliance Disclaimer

This information is provided based on reasonable inquiry of our suppliers and represents our current actual knowledge based on the information they provided. This information is subject to change. The part numbers that TE has identified as EU RoHS compliant have a maximum concentration of 0.1% by weight in homogenous materials for lead, hexavalent chromium, mercury, PBB, PBDE, DBP, BBP, DEHP, DIBP, and 0.01% for cadmium, or qualify for an exemption to these limits as defined in the Annexes of Directive 2011/65/EU (RoHS2). Finished electrical and electronic equipment products will be CE marked as required by Directive 2011/65/EU. Components may not be CE marked. Additionally, the part numbers that TE has identified as EU ELV compliant have a maximum concentration of 0.1% by weight in homogenous materials for lead, hexavalent chromium, and mercury, and 0.01% for cadmium, or qualify for an exemption to these limits as defined in the Annexes of Directive 2000/53/EC (ELV). Regarding the REACH Regulation, the information TE provides on SVHC in articles for this part number is based on the latest European Chemicals Agency (ECHA) 'Guidance on requirements for substances in articles' posted at this URL: <https://echa.europa.eu/guidance-documents/guidance-on-reach>

### Compatible Parts



TE Part # 1625960-1  
HBA RE 100M 1% 100PPM



TE Part # 1625959-3  
HB03RE 100M 1% 100PPM



TE Part # 1625958-8  
HB01RE 10M 1% 100PPM




TE Part # 1625958-4  
HB01RE 100M 1% 100PPM



TE Part # 2-1625959-5  
HB03RE 50M 1% 100PPM

### Also in the Series | CGS HB

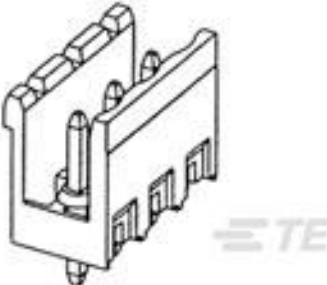


Through-Hole Resistors(52)

### Customers Also Bought



TE Part #1558665-7  
T9GS5L14-24



TE Part #282825-3  
TERMI-BLOK HEADER,ASSY90 3P.5,



TE Part #5-1618274-5  
HC-5=RELAY, PRESSURIZED, SPDT



TE Part #T1310060120-000  
H6B-TS-M20



TE Part #T2020011005-000  
DDM-0.5



TE Part #T2030011040-000  
DEM-4.0



TE Part #EC0820-000  
Z-Type Push-On Markers



TE Part #1SNL350060R0000  
DBL500-F



## Documents

### Product Drawings

[HB01RE 3M0 1% 100PPM](#)

English

---

### CAD Files

[3D PDF](#)

3D

Customer View Model

[ENG\\_CVM\\_CVM\\_2-1625958-9\\_H.2d\\_dxf.zip](#)

English

Customer View Model

[ENG\\_CVM\\_CVM\\_2-1625958-9\\_H.3d\\_igs.zip](#)

English

Customer View Model

[ENG\\_CVM\\_CVM\\_2-1625958-9\\_H.3d\\_stp.zip](#)

English

By downloading the CAD file I accept and agree to the [Terms and Conditions](#) of use.

---

### Datasheets & Catalog Pages

[4-1773460-6\\_RESISTIVE\\_SOLUTIONS\\_RAIL](#)

English

[1309350\\_PASSIVE\\_COMPONENT](#)

English

[High Value/High Voltage Resistors - Type HB Series](#)

English