



CII | CII FCB-205 Series

TE Internal #: 2-1617758-7

Mid-Range Relays, 2 Form C, DPDT, 2 C/O, Tin-Lead Terminal Plating, 5 A, 28 VDC Coil Voltage, 500 Ω Coil Resistance, No Brackets, CII FCB-205 Series

[View on TE.com >](#)

Relays, Contactors & Switches > Relays > Mil-Aero Relays > Mid-Range Relays



Mid-Range Relay Contact Arrangement: **2 Form C, DPDT, 2 C/O**

Coil Suppression Diode: **Without**

Auxiliary Contacts: **Without**

Terminal Plating: **Tin-Lead**

Mid-Range Relay Contact Current Rating: **5 A**

**Features**

**Product Type Features**

Enclosure Type	Hermetically Sealed
Terminal Configuration	Solder Pins
Product Type	Relay
Relay Type	Military/Aerospace Mid-Range

**Electrical Characteristics**

Vibration	30G's, 70 – 3000Hz
Shock	200G's, 6ms
Coil Suppression Diode	Without
Mid-Range Relay Coil Voltage Rating	28 VDC
Mid-Range Relay Coil Resistance	500 Ω
Back EMF Suppression	Without
Coil Magnetic System	Polarized, Monostable
Actuating System	DC

**Contact Features**

Mid-Range Relay Contact Arrangement	2 Form C, DPDT, 2 C/O
Auxiliary Contacts	Without
Terminal Plating	Tin-Lead



Mid-Range Relay Contact Current Rating	5 A
Contact Base Material	Silver Cadmium Oxide

**Mechanical Attachment**

Mid-Range Relay Mounting Type	No Brackets
-------------------------------	-------------

**Usage Conditions**

Operating Temperature Range	-70 – 125 °C
-----------------------------	--------------

**Product Compliance**

[For compliance documentation, visit the product page on TE.com>](#)

EU RoHS Directive 2011/65/EU	Not Compliant
EU ELV Directive 2000/53/EC	Not Compliant
China RoHS 2 Directive MIIT Order No 32, 2016	Restricted Materials Above Threshold
EU REACH Regulation (EC) No. 1907/2006	Current ECHA Candidate List: JUNE 2023 (235) Candidate List Declared Against: JUL 2021 (219) Does not contain REACH SVHC
Halogen Content	Low Halogen - Br, Cl, F, I < 900 ppm per homogenous material. Also BFR/CFR/PVC Free
Solder Process Capability	Not lead free process capable

**Product Compliance Disclaimer**

This information is provided based on reasonable inquiry of our suppliers and represents our current actual knowledge based on the information they provided. This information is subject to change. The part numbers that TE has identified as EU RoHS compliant have a maximum concentration of 0.1% by weight in homogenous materials for lead, hexavalent chromium, mercury, PBB, PBDE, DBP, BBP, DEHP, DIBP, and 0.01% for cadmium, or qualify for an exemption to these limits as defined in the Annexes of Directive 2011/65/EU (RoHS2). Finished electrical and electronic equipment products will be CE marked as required by Directive 2011/65/EU. Components may not be CE marked. Additionally, the part numbers that TE has identified as EU ELV compliant have a maximum concentration of 0.1% by weight in homogenous materials for lead, hexavalent chromium, and mercury, and 0.01% for cadmium, or qualify for an exemption to these limits as defined in the Annexes of Directive 2000/53/EC (ELV). Regarding the REACH Regulation, the information TE provides on SVHC in articles for this part number is based on the latest European Chemicals Agency (ECHA) 'Guidance on requirements for substances in articles' posted at this URL: <https://echa.europa.eu/guidance-documents/guidance-on-reach>

**Compatible Parts**




TE Part # 1617761-7  
FCB-405-CX4



TE Part # 1-1617787-6  
FCB-405-0525M=M83536/5-025M



TE Part # 1617787-9  
FCB-405-0519L=M83536/5-019L



TE Part # 2-1617787-9  
FCB-405-0532L=M83536/5-032L



TE Part # 3-1617787-9  
FCB-405-0605M=M83536/6-005M



TE Part # 4-1617787-9  
FCB-405-0611L=M83536/6-011L



TE Part # 5-1617789-2  
FCB-405-AZ4=MIDRANGE RELAY



TE Part # 6-1617787-9  
FCB-405-0629M=M83536/6-029M



TE Part # 7-1617786-7  
FCB-405-0501L=M83536/5-001L



TE Part # 7-1617787-7  
FCB-405-0634L=M83536/6-034L



TE Part # 8-1617786-7  
FCB-405-0506L=M83536/5-006L



TE Part # 9-1617786-4  
FCB-405-0509M=M83536/5-009M



TE Part # 7-1617760-9  
FCB-405-0619M=M83536/6-019M



TE Part # 8-1617760-7  
FCB-405-0628M=M83536/6-028M



TE Part # 6-1617760-9  
FCB-405-0523M=M83536/5-023M

Also in the Series | CII FCB-205 Series

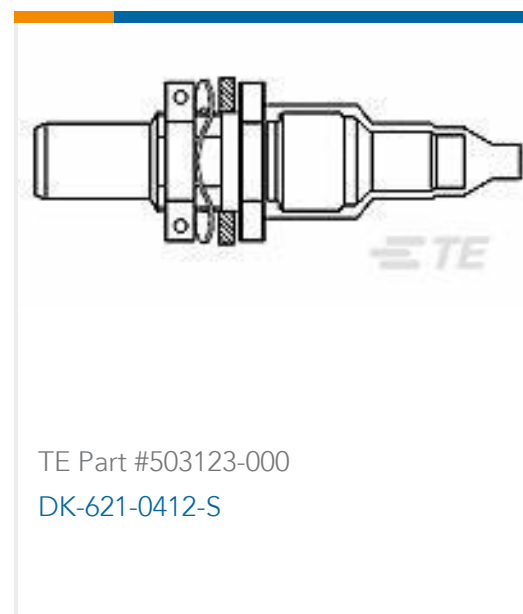


Mid-Range Relays(41)

Customers Also Bought



TE Part #100147-1  
Z-PACK/A F-HDR.110P



TE Part #503123-000  
DK-621-0412-S



TE Part #076147-000  
CTC-0062-18-9/5-9



TE Part #5660044001  
SFR-5/8-0-SP



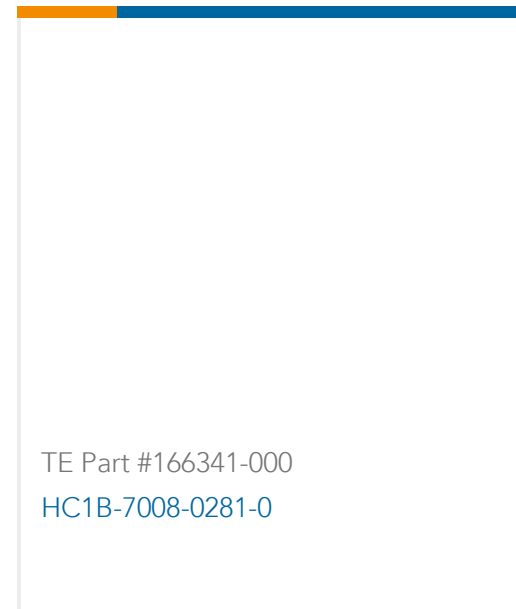
TE Part #1617086-6  
3SBM1071A2 = M39016/31-003M



TE Part #443975-5  
AMPLIMITE,RCPT ASY,POSTD,109,5



TE Part #6-1618400-7  
EV200ARANA=CONTACTOR SPST-  
NO, 28Vdc Coil



TE Part #166341-000  
HC1B-7008-0281-0

## Documents

### Product Drawings

[FCB-205-0119M=M83536/1-019M](#)

English

### CAD Files

[3D PDF](#)

3D

Customer View Model

[ENG\\_CVM\\_CVM\\_2-1617758-7\\_D.2d\\_dxf.zip](#)

English

Customer View Model

[ENG\\_CVM\\_CVM\\_2-1617758-7\\_D.3d\\_igs.zip](#)

English

Customer View Model

[ENG\\_CVM\\_CVM\\_2-1617758-7\\_D.3d\\_stp.zip](#)

English

By downloading the CAD file I accept and agree to the [Terms and Conditions](#) of use.

### Datasheets & Catalog Pages

[5-1773450-5\\_sec5\\_FCB-205](#)

English