

FCA-210-1027M ✓ ACTIVE

CII | CII FCA-125 Series

TE Internal #: 2-1617749-5

Mid-Range Relays, 2 Form C, DPDT, 2 C/O, Coil Suppression

Diode, Tin-Lead Terminal Plating, 10 A, 28 VDC Coil Voltage, CII

FCA-125 Series

[View on TE.com >](#)



Relays, Contactors & Switches > Relays > Mil-Aero Relays > Mid-Range Relays



Mid-Range Relay Contact Arrangement: **2 Form C, DPDT, 2 C/O**

Coil Suppression Diode: **With**

Auxiliary Contacts: **Without**

Terminal Plating: **Tin-Lead**

Mid-Range Relay Contact Current Rating: **10 A**

Features

Product Type Features

Enclosure Type	Hermetically Sealed
Terminal Configuration	Solder Pins, 90°
Product Type	Relay
Relay Type	Military/Aerospace Mid-Range

Electrical Characteristics

Vibration	30G's, 10 – 3000Hz
Shock	200G's, 6ms
Coil Suppression Diode	With
Mid-Range Relay Coil Voltage Rating	28 VDC
Mid-Range Relay Coil Resistance	320 Ω
Back EMF Suppression	With
Coil Magnetic System	Polarized, Monostable
Actuating System	DC

Contact Features

Mid-Range Relay Contact Arrangement	2 Form C, DPDT, 2 C/O
Auxiliary Contacts	Without
Terminal Plating	Tin-Lead



Mid-Range Relay Contact Current Rating	10 A
Contact Base Material	Silver Cadmium Oxide

Mechanical Attachment

Mid-Range Relay Mounting Type	Horizontal Flange Mount
-------------------------------	-------------------------

Usage Conditions

Operating Temperature Range	-70 – 125 °C
-----------------------------	--------------

Product Compliance

[For compliance documentation, visit the product page on TE.com>](#)

EU RoHS Directive 2011/65/EU	Not Compliant
EU ELV Directive 2000/53/EC	Not Compliant
China RoHS 2 Directive MIIT Order No 32, 2016	Restricted Materials Above Threshold
EU REACH Regulation (EC) No. 1907/2006	Current ECHA Candidate List: JUNE 2023 (235) Candidate List Declared Against: JUL 2021 (219) Does not contain REACH SVHC
Halogen Content	Low Halogen - Br, Cl, F, I < 900 ppm per homogenous material. Also BFR/CFR/PVC Free
Solder Process Capability	Not lead free process capable

Product Compliance Disclaimer

This information is provided based on reasonable inquiry of our suppliers and represents our current actual knowledge based on the information they provided. This information is subject to change. The part numbers that TE has identified as EU RoHS compliant have a maximum concentration of 0.1% by weight in homogenous materials for lead, hexavalent chromium, mercury, PBB, PBDE, DBP, BBP, DEHP, DIBP, and 0.01% for cadmium, or qualify for an exemption to these limits as defined in the Annexes of Directive 2011/65/EU (RoHS2). Finished electrical and electronic equipment products will be CE marked as required by Directive 2011/65/EU. Components may not be CE marked. Additionally, the part numbers that TE has identified as EU ELV compliant have a maximum concentration of 0.1% by weight in homogenous materials for lead, hexavalent chromium, and mercury, and 0.01% for cadmium, or qualify for an exemption to these limits as defined in the Annexes of Directive 2000/53/EC (ELV). Regarding the REACH Regulation, the information TE provides on SVHC in articles for this part number is based on the latest European Chemicals Agency (ECHA) 'Guidance on requirements for substances in articles' posted at this URL: <https://echa.europa.eu/guidance-documents/guidance-on-reach>

Compatible Parts




TE Part # 1-1617805-8
TD228-1002P=TDFO 10 SEC M83726 /28-1002P



TE Part # 1617814-9
TD229-1001S=TDFR 1 SEC M83726/29-1001S



TE Part # 6-1617805-9
TD230-5001P=TDAO .5-5SEC M83726 /30-5001P



TE Part # 3-1617805-3
TD230-5003P=TDAO50-500SECM83726/30-5003P



TE Part # 1-1617810-7
TD228-6001P=TDFO 6 SEC M83726 /28-6001P



TE Part # 2-1617789-1
FCA-410-CX5=MIDRANGE RELAY



TE Part # 2-1617789-3
FCA-410-CY5=MIDRANGE RELAY



TE Part # 3-1617805-1
TD229-3002S=TDFR 30 SEC M83726 /29-3002S



TE Part # 4-1617808-5
TD229-1803P=TDFR 180 SEC M83726 /29-1803P



TE Part # 5-1617785-6
FCA-410-1520L=M83536/15-020L



TE Part # 1-1617775-8
FCA-410-1509M=M83536/15-009M



TE Part # 3-1617794-3
FCA-410-AZ4



TE Part # 4-1617801-0
FCA-415-CX3=4PDT MID-RANGE RELAY



TE Part # 5-1617794-9
TD228-1000P=TDFO .1SEC M83726 /28-1000P



TE Part # 1-1617805-6
TD228-1001P=TDFO 1SEC M83726/28-1001P



TE Part # 1-1617805-9
TD228-1002S=TDFO 10 SEC M83726 /28-1002S



TE Part # 8-1617815-5
TD228-1003S=TDFO 100 SEC M83726 /28-1003S



TE Part # 9-1617818-9
TD228-1102S=TDFO 11 SEC M83726 /28-1102S



TE Part # 5-1617808-6
TD228-1103P=TDFO 110 SEC M83726 /28-1103P



TE Part # 3-1617819-7
TD228-1201P=TDFO 1.2 SEC M83726 /28-1201P

Also in the Series | CII FCA-125 Series



Mid-Range Relays(80)

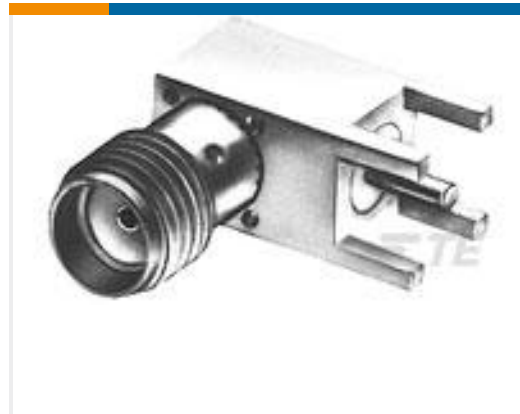
Customers Also Bought



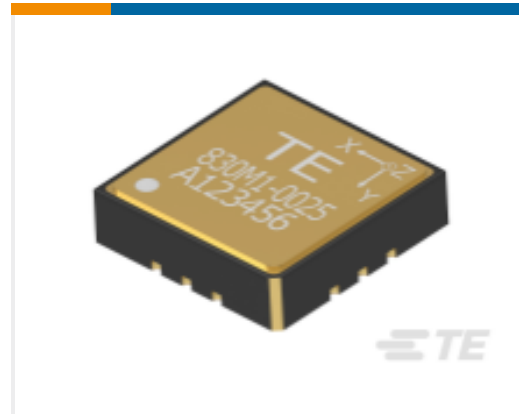
TE Part #1761014-3
SFP 1X2 CAGE ASSY, PRESS FIT



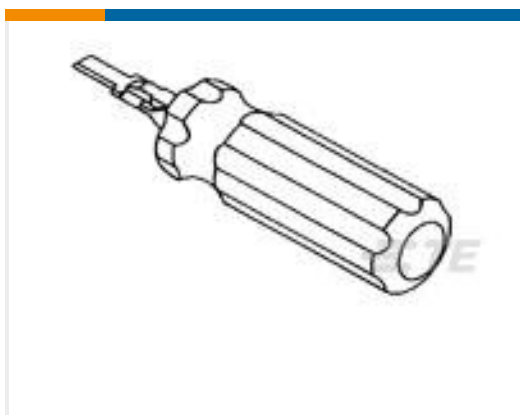
TE Part #91388-1
PRO-CRIMPER TOOL & DIE



TE Part #1053396-1
2064 8001 90



TE Part #20011426-00
830M1-0500 Triaxial 500g Tape Reel
150pc



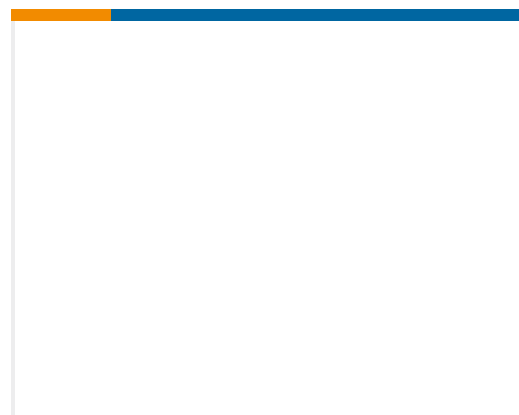
TE Part #1586343-1
VAL-U-LOK EXTRACTION TOOL



TE Part #3580590020
TRSA-1019/C/1/7



TE Part #3580590017
TRSA-1019/C/1/A



TE Part #3580590018
TRSA-1019/C/1/D



TE Part #18027-5
WASHER,FLAT



TE Part #582567-4
CONN AMP TAB 18 POS DUAL

Documents

Product Drawings

[FCA-210-1027M=M83536/10-027M](#)

English

CAD Files

[3D PDF](#)

[3D](#)

[Customer View Model](#)

[ENG_CVM_CVM_2-1617749-5_B.2d_dxf.zip](#)



English

Customer View Model

[ENG_CVM_CVM_2-1617749-5_B.3d_igs.zip](#)

English

Customer View Model

[ENG_CVM_CVM_2-1617749-5_B.3d_stp.zip](#)

English

By downloading the CAD file I accept and agree to the [Terms and Conditions](#) of use.

Datasheets & Catalog Pages

[5-1773450-5_sec5_FCA-210](#)

English