



CII

TE Internal #: 2-1617749-1

Mid-Range Relays, 2 Form C, DPDT, 2 C/O, Coil Suppression

Diode, Gold Terminal Plating, 10 A, 28 VDC Coil Voltage, 320 Ω

Coil Resistance

[View on TE.com >](#)

Relays, Contactors & Switches > Relays > Mil-Aero Relays > Mid-Range Relays



Mid-Range Relay Contact Arrangement: **2 Form C, DPDT, 2 C/O**

Coil Suppression Diode: **With**

Auxiliary Contacts: **Without**

Terminal Plating: **Gold**

Mid-Range Relay Contact Current Rating: **10 A**

Features

Product Type Features

Enclosure Type	Hermetically Sealed
Terminal Configuration	Socket Pins
Product Type	Relay
Relay Type	Military/Aerospace Mid-Range

Electrical Characteristics

Vibration	30G's, 10 – 3000Hz
Shock	200G's, 6ms
Coil Suppression Diode	With
Mid-Range Relay Coil Voltage Rating	28 VDC
Mid-Range Relay Coil Resistance	320 Ω
Back EMF Suppression	With
Coil Magnetic System	Polarized, Monostable
Actuating System	DC

Contact Features

Mid-Range Relay Contact Arrangement	2 Form C, DPDT, 2 C/O
Auxiliary Contacts	Without
Terminal Plating	Gold



Mid-Range Relay Contact Current Rating	10 A
--	------

Contact Base Material	Silver Cadmium Oxide
-----------------------	----------------------

Mechanical Attachment

Mid-Range Relay Mounting Type	Raised Vertical Flange Mount
-------------------------------	------------------------------

Usage Conditions

Operating Temperature Range	-70 – 125 °C
-----------------------------	--------------

Product Compliance

[For compliance documentation, visit the product page on TE.com>](#)

EU RoHS Directive 2011/65/EU	Compliant
------------------------------	-----------

EU ELV Directive 2000/53/EC	Not Compliant
-----------------------------	---------------

China RoHS 2 Directive MIIT Order No 32, 2016	No Restricted Materials Above Threshold
---	---

EU REACH Regulation (EC) No. 1907/2006	Current ECHA Candidate List: JUNE 2023 (235) Candidate List Declared Against: JUNE 2022 (224) Does not contain REACH SVHC
--	---

Halogen Content	Low Halogen - Br, Cl, F, I < 900 ppm per homogenous material. Also BFR/CFR/PVC Free
-----------------	---

Solder Process Capability	Not applicable for solder process capability
---------------------------	--

Product Compliance Disclaimer

This information is provided based on reasonable inquiry of our suppliers and represents our current actual knowledge based on the information they provided. This information is subject to change. The part numbers that TE has identified as EU RoHS compliant have a maximum concentration of 0.1% by weight in homogenous materials for lead, hexavalent chromium, mercury, PBB, PBDE, DBP, BBP, DEHP, DIBP, and 0.01% for cadmium, or qualify for an exemption to these limits as defined in the Annexes of Directive 2011/65/EU (RoHS2). Finished electrical and electronic equipment products will be CE marked as required by Directive 2011/65/EU. Components may not be CE marked. Additionally, the part numbers that TE has identified as EU ELV compliant have a maximum concentration of 0.1% by weight in homogenous materials for lead, hexavalent chromium, and mercury, and 0.01% for cadmium, or qualify for an exemption to these limits as defined in the Annexes of Directive 2000/53/EC (ELV). Regarding the REACH Regulation, the information TE provides on SVHC in articles for this part number is based on the latest European Chemicals Agency (ECHA) 'Guidance on requirements for substances in articles' posted at this URL: <https://echa.europa.eu/guidance-documents/guidance-on-reach>

Compatible Parts



TE Part # 1617802-5
TD230C-1002SY=TDAO 1-10 SEC



TE Part # 1-1617754-8
FCA-410-1621L=M83536/16-021L



TE Part # 5-1617805-6
TD229-2001P=TDFR 2 SEC M83726/29-2001P



TE Part # 7-1617805-1
TD229-3002P=TDFR 30 SEC M83726/29-3002P



TE Part # 1-1617786-1
FCA-410-1627M=M83536/16-027M



TE Part # 1-1617786-9
FCA-410-1633L=M83536/16-033L



TE Part # 1617754-8
FCA-410-1602M=M83536/16-002M



TE Part # 1617786-7
FCA-410-1623L=M83536/16-023L



TE Part # 2-1617785-1
FCA-410-1501M=M83536/15-001M



TE Part # 2-1617785-9
FCA-410-1505M=M83536/15-005M



TE Part # 3-1617785-3
FCA-410-1507M=M83536/15-007M



TE Part # 4-1617785-0
FCA-410-1511L=M83536/15-011L



TE Part # 4-1617785-8
FCA-410-1515M=M83536/15-015M



TE Part # 5-1617785-6
FCA-410-1520L=M83536/15-020L



TE Part # 6-1617785-3
FCA-410-1525M=M83536/15-025M



TE Part # 7-1617785-0
FCA-410-1530L=M83536/15-030L



TE Part # 7-1617785-8
FCA-410-1603L=M83536/16-003L



TE Part # 8-1617785-5
FCA-410-1606M=M83536/16-006M



TE Part # 9-1617785-3
FCA-410-1610M=M83536/16-010M

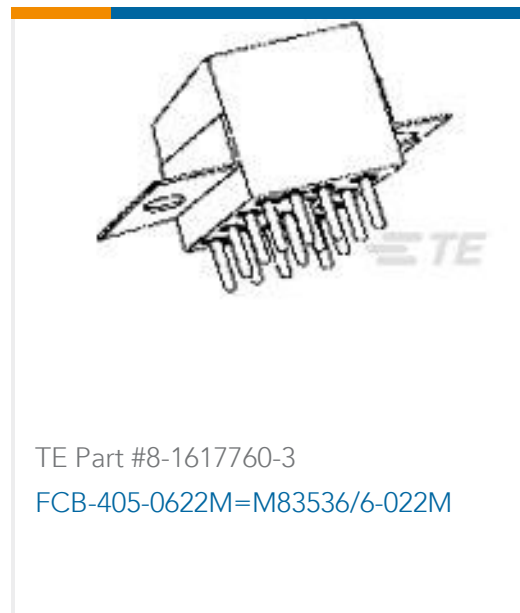


TE Part # 1-1617754-1
FCA-410-1614M=M83536/16-014M

Customers Also Bought



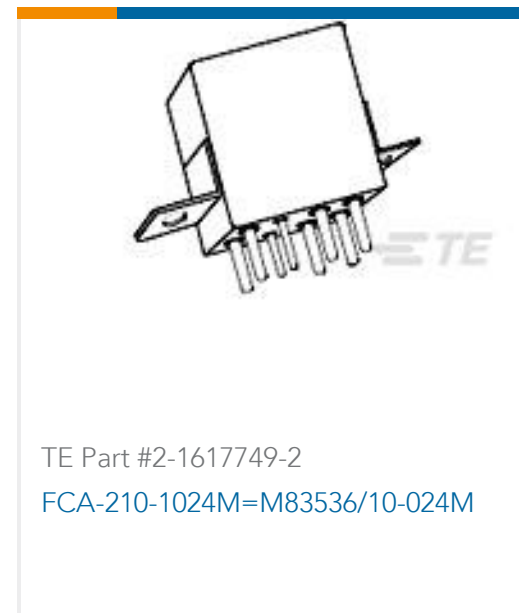
TE Part #66102-4
III+ PIN,24-20,30AU/FL,STRIP



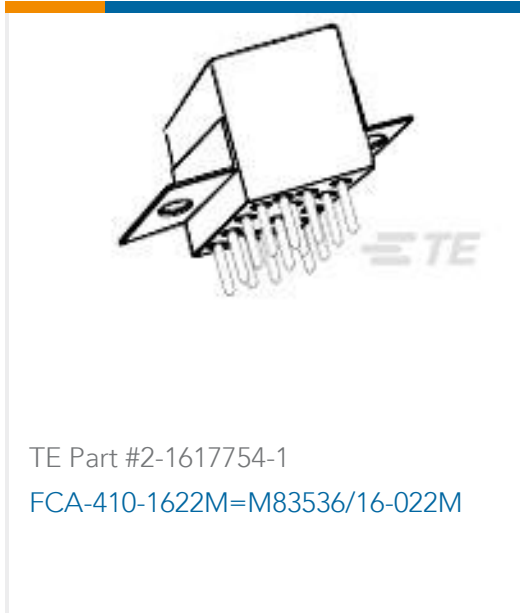
TE Part #8-1617760-3
FCB-405-0622M=M83536/6-022M



TE Part #CTJ120E03D-513
MODULE ASSY



TE Part #2-1617749-2
FCA-210-1024M=M83536/10-024M



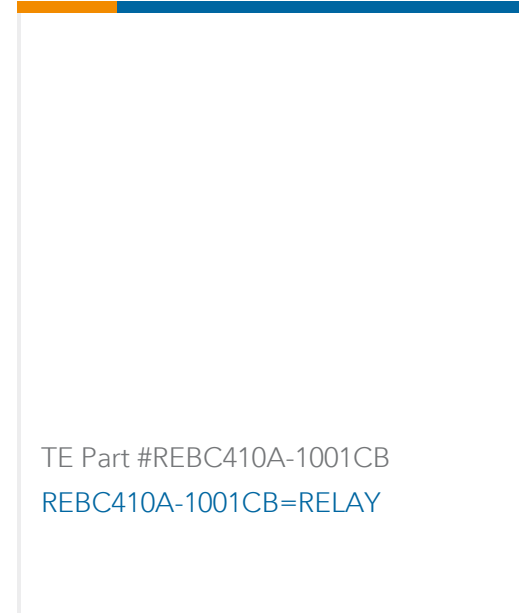
TE Part #2-1617754-1
FCA-410-1622M=M83536/16-022M



TE Part #218517-001
22759/34-8-9



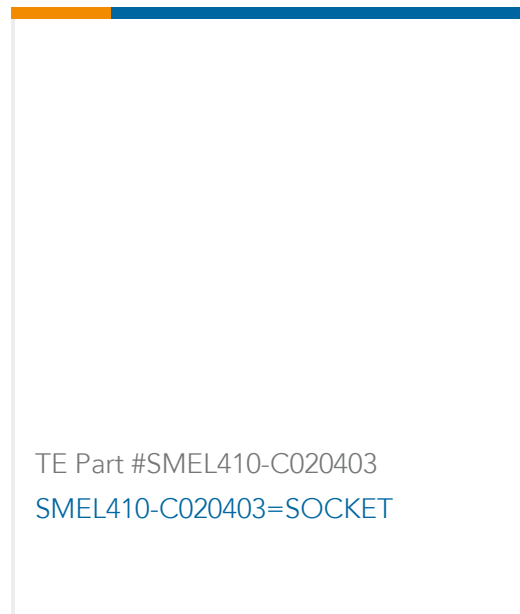
TE Part #ZPF0000000000000570
020-0511-20



TE Part #REBC410A-1001CB
REBC410A-1001CB=RELAY



TE Part #REBC410J-2000CB
REBC410J-2000CB=RELAY



TE Part #SMEL410-C020403
SMEL410-C020403=SOCKET

Documents

CAD Files

3D PDF

3D

Customer View Model

[ENG_CVM_CVM_2-1617749-1_A.2d_dxf.zip](#)

English

Customer View Model

[ENG_CVM_CVM_2-1617749-1_A.3d_igs.zip](#)

English

Customer View Model

[ENG_CVM_CVM_2-1617749-1_A.3d_stp.zip](#)

English

By downloading the CAD file I accept and agree to the [Terms and Conditions](#) of use.

Datasheets & Catalog Pages

[5-1773450-5_sec5_FCA-210](#)

English