

# 3SBC1518A2 ✓ ACTIVE

CII | CII 3SBC Relay

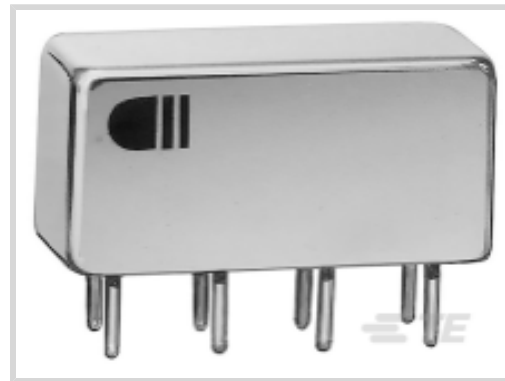
TE Internal #: 2-1617072-7

1/5-Size Relays, 2 Form C, DPDT, 2 C/O, 26.5 VDC Input, 2 A, 26.5 VDC Coil Voltage, 1350  $\Omega$  Coil Resistance, 520 mW Coil Power (DC), CII 3SBC Relay

[View on TE.com >](#)



Relays, Contactors & Switches > Relays > Mil-Aero Relays > 1/5-Size Relays > DPDT Signal Relay: Electrically-Held, 1/5-Size Relay



1/5-Size Relay Contact Arrangement: **2 Form C, DPDT, 2 C/O**

1/5-Size Relay Input Voltage: **26.5 VDC**

Coil Suppression Diode: **Without**

1/5-Size Relay Contact Current Rating: **2 A**

1/5-Size Relay Coil Voltage Rating: **26.5 VDC**

[All DPDT Signal Relay: Electrically-Held, 1/5-Size Relay \(84\)](#)

## Features

### Product Type Features

Enclosure Type	Hermetically Sealed
Relay Type	Military/Aerospace High Performance
Coil Latching	Without
Product Type	Relay
MOSFET Driver	Without

### Configuration Features

Transistor Driver	Without
-------------------	---------

### Electrical Characteristics

Actuating System	DC
Vibration	30G's, 10 – 3000Hz
Coil Magnetic System	Non-Polarized, Monostable
Shock	75G's, 6ms
Coil Power Measurement	Milliwatts
Coil Polarity Protection Diode	Without
1/5-Size Relay Input Voltage	26.5 VDC
Coil Suppression Diode	Without



1/5-Size Relay Coil Voltage Rating	26.5 VDC
------------------------------------	----------

1/5-Size Relay Coil Resistance	1350 $\Omega$
--------------------------------	---------------

1/5-Size Relay Coil Power Rating (DC)	520 mW
---------------------------------------	--------

### Contact Features

1/5-Size Relay Contact Arrangement	2 Form C, DPDT, 2 C/O
------------------------------------	-----------------------

1/5-Size Relay Contact Current Rating	2 A
---------------------------------------	-----

### Termination Features

Termination Type	PC Pins
------------------	---------

### Mechanical Attachment

1/5-Size Relay Mounting Type	Printed Circuit Board
------------------------------	-----------------------

### Usage Conditions

Operating Temperature Range	-65 – 125 °C
-----------------------------	--------------

## Product Compliance

[For compliance documentation, visit the product page on TE.com>](#)

EU RoHS Directive 2011/65/EU	Not Compliant
------------------------------	---------------

EU ELV Directive 2000/53/EC	Not Yet Reviewed
-----------------------------	------------------

China RoHS 2 Directive MIIT Order No 32, 2016	Restricted Materials Above Threshold
---	--------------------------------------

EU REACH Regulation (EC) No. 1907/2006	Current ECHA Candidate List: JUNE 2023 (235) Candidate List Declared Against: JUNE 2022 (224) Does not contain REACH SVHC
--	---

Halogen Content	Low Halogen - Br, Cl, F, I < 900 ppm per homogenous material. Also BFR/CFR/PVC Free
-----------------	---

Solder Process Capability	Not lead free process capable
---------------------------	-------------------------------

#### Product Compliance Disclaimer

This information is provided based on reasonable inquiry of our suppliers and represents our current actual knowledge based on the information they provided. This information is subject to change. The part numbers that TE has identified as EU RoHS compliant have a maximum concentration of 0.1% by weight in homogenous materials for lead, hexavalent chromium, mercury, PBB, PBDE, DBP, BBP, DEHP, DIBP, and 0.01% for cadmium, or qualify for an exemption to these limits as defined in the Annexes of Directive 2011/65/EU (RoHS2). Finished electrical and electronic equipment products will be CE marked as required by Directive 2011/65/EU. Components may not be CE marked. Additionally, the part numbers that TE has identified as EU ELV compliant have a maximum concentration of 0.1% by weight in homogenous materials for lead, hexavalent chromium, and mercury, and 0.01% for cadmium, or qualify for an exemption to these limits as defined in the Annexes of Directive 2000/53/EC (ELV). Regarding the REACH Regulation, the information TE provides on SVHC in articles for this part number is based on the latest European Chemicals Agency (ECHA) 'Guidance on requirements for substances in articles' posted at this URL: <https://echa.europa.eu/guidance-documents/guidance-on-reach>

## Compatible Parts



TE Part # 3-1617076-1  
3SBH1262A2 = M39016/54-012M



TE Part # CAT-3SBH-4PDT-WOCS  
4PDT Signal Relay: Electrically-Held, 1/5-Size Relay

## Also in the Series | CII 3SBC Relay

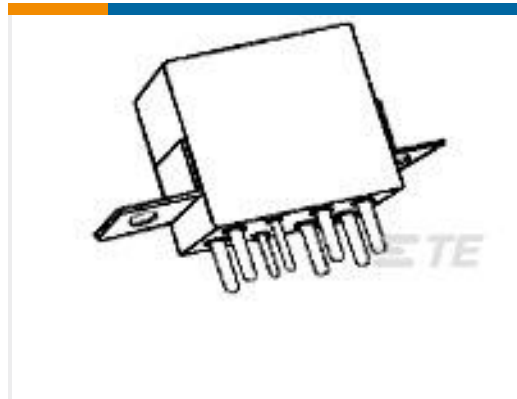


1/5-Size Relays(42)

## Customers Also Bought



TE Part #2-1617004-8  
B07D634BC2-0051 = M5757/23-003



TE Part #2-1617758-7  
FCB-205-0119M=M83536/1-019M



TE Part #YDTS20F17-35PNV001  
RECP ASSY



TE Part #YDTS26W17-26SNV001  
PLUG ASSY



TE Part #4-641208-6  
16P MTA156 HDR ASSY FL ST LF



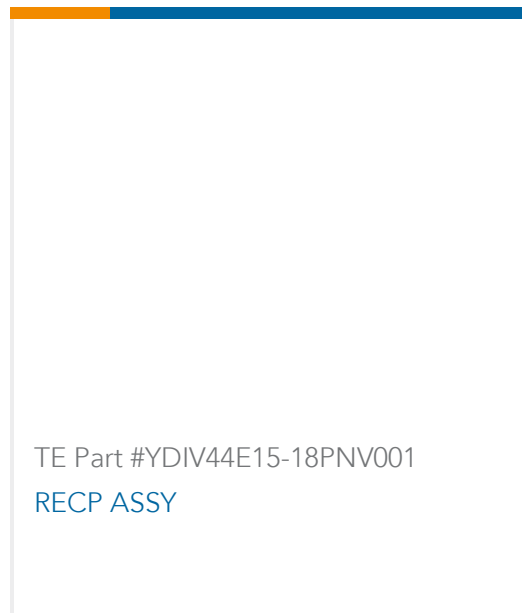
TE Part #YDIV44E17-35SBV001  
RECP ASSY



TE Part #1617167-5  
JMSCDD-26XLS = M39016/21-046L



TE Part #Y22630-20-41PC0330  
HERM RECP



## Documents

### CAD Files

[3D PDF](#)

[3D](#)

**Customer View Model**

[ENG\\_CVM\\_CVM\\_2-1617072-7\\_G\\_c-2-1617072-7-g.2d\\_dxf.zip](#)

English

**Customer View Model**

[ENG\\_CVM\\_CVM\\_2-1617072-7\\_G\\_c-2-1617072-7-g.3d\\_igs.zip](#)

English

**Customer View Model**

[ENG\\_CVM\\_CVM\\_2-1617072-7\\_G\\_c-2-1617072-7-g.3d\\_stp.zip](#)

English

By downloading the CAD file I accept and agree to the [Terms and Conditions](#) of use.

### Datasheets & Catalog Pages

[5-1773450-5\\_sec1\\_3SBC](#)

English

[RELAY](#)

English