

2-160759-9 ✓ ACTIVE

Positive Lock | Mark I, Positive Lock 250

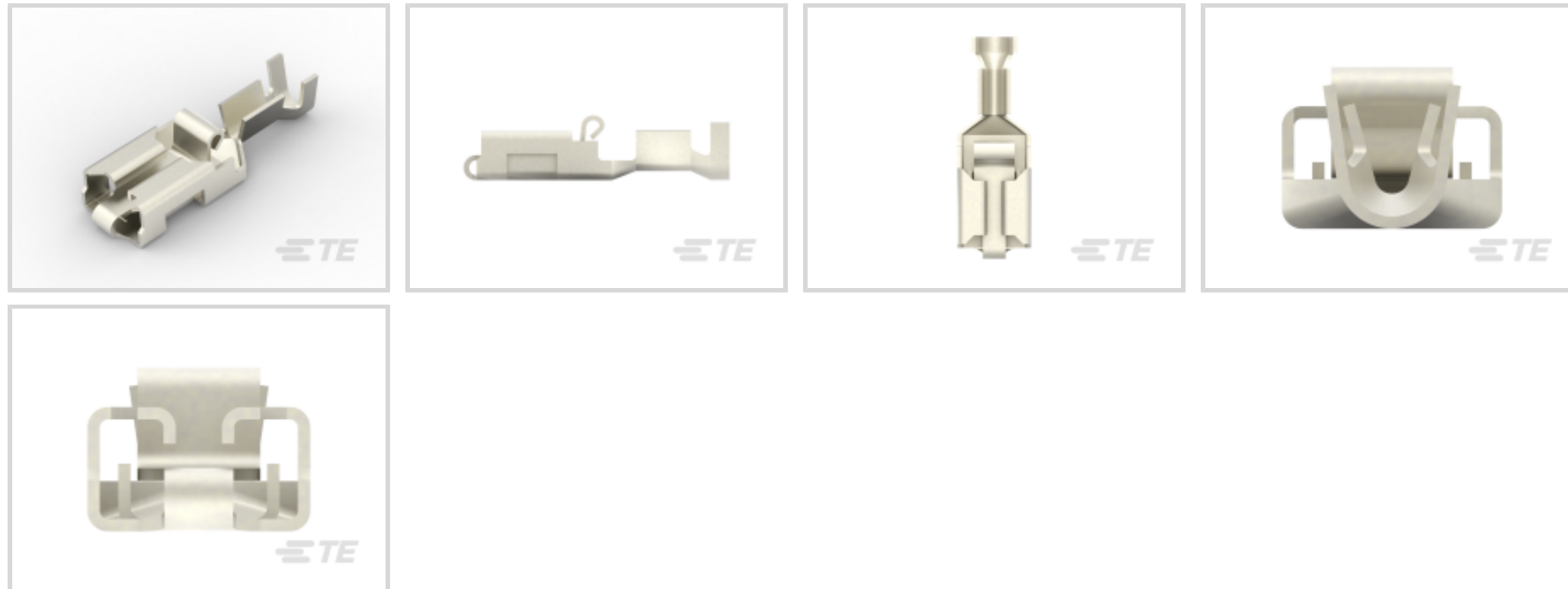
TE Internal #: 2-160759-9

Quick Disconnects, Receptacle, 20 – 15 AWG Wire Size, .51 – 1.65 mm² Wire Size, Mating Tab Width 6.35 mm [.25 in], Straight, Steel, Positive Lock 250

[View on TE.com >](#)



Terminals & Splices > Quick Disconnects



Quick Disconnect Terminal Type: **Receptacle**

Wire Size: .51 – 1.65 mm²

Mating Tab Width: 6.35 mm [.25 in]

Mating Tab Thickness: .81 mm [.032 in]

Features

Product Type Features

Insertion Force	Low
-----------------	-----

Configuration Features

Connection Capacity	Single
---------------------	--------

Compatible With Wire & Cable Type	Discrete Wire
-----------------------------------	---------------

Contact Features

Quick Disconnect Terminal Type	Receptacle
--------------------------------	------------

Mating Tab Width	6.35 mm [.25 in]
------------------	------------------

Mating Tab Thickness	.81 mm [.032 in]
----------------------	------------------

Terminal Orientation	Straight
----------------------	----------

Contact Base Material	Steel
-----------------------	-------

Terminal Plating Material	Unplated
---------------------------	----------

Crimp Type	F-Crimp
------------	---------

Barrel Type	Open
-------------	------

Termination Features



Product Terminates To	Wire & Cable
-----------------------	--------------

Mechanical Attachment

Extraction Force	7 – 100 Newton
------------------	----------------

Wire Insulation Support	With
-------------------------	------

Mating Retention Type	Dimple
-----------------------	--------

Dimensions

Terminal Material Thickness	.41 mm[.016 in]
-----------------------------	-----------------

Product Length	22.3 mm[.88 in]
----------------	-----------------

Compatible Insulation Diameter Range	2.3 – 3.3 mm[.09 – .13 in]
--------------------------------------	----------------------------

Wire Size	.51 – 1.65 mm ²
-----------	----------------------------

Usage Conditions

Insulation Option	Uninsulated
-------------------	-------------

Operating Temperature Range	-40 – 250 °C[-40 – 482 °F]
-----------------------------	----------------------------

Industry Standards

Agency/Standard	UL
-----------------	----

Packaging Features

Packaging Quantity	1500
--------------------	------

Packaging Method	Strip/Reel
------------------	------------

Other

Terminals & Splices Comment	FLK-Wire: Normal Wire
-----------------------------	-----------------------

Product Compliance

[For compliance documentation, visit the product page on TE.com>](#)

EU RoHS Directive 2011/65/EU	Compliant
------------------------------	-----------

EU ELV Directive 2000/53/EC	Compliant
-----------------------------	-----------

China RoHS 2 Directive MIIT Order No 32, 2016	No Restricted Materials Above Threshold
---	---

EU REACH Regulation (EC) No. 1907/2006	Current ECHA Candidate List: JUNE 2023 (235) Candidate List Declared Against: JUNE 2023 (235) Does not contain REACH SVHC
--	---

Halogen Content	Low Halogen - Br, Cl, F, I < 900 ppm per homogenous material. Also BFR/CFR/PVC Free
-----------------	---

Solder Process Capability

Not applicable for solder process capability

Product Compliance Disclaimer

This information is provided based on reasonable inquiry of our suppliers and represents our current actual knowledge based on the information they provided. This information is subject to change. The part numbers that TE has identified as EU RoHS compliant have a maximum concentration of 0.1% by weight in homogenous materials for lead, hexavalent chromium, mercury, PBB, PBDE, DBP, BBP, DEHP, DIBP, and 0.01% for cadmium, or qualify for an exemption to these limits as defined in the Annexes of Directive 2011/65/EU (RoHS2). Finished electrical and electronic equipment products will be CE marked as required by Directive 2011/65/EU. Components may not be CE marked. Additionally, the part numbers that TE has identified as EU ELV compliant have a maximum concentration of 0.1% by weight in homogenous materials for lead, hexavalent chromium, and mercury, and 0.01% for cadmium, or qualify for an exemption to these limits as defined in the Annexes of Directive 2000/53/EC (ELV). Regarding the REACH Regulation, the information TE provides on SVHC in articles for this part number is based on the latest European Chemicals Agency (ECHA) 'Guidance on requirements for substances in articles' posted at this URL: <https://echa.europa.eu/guidance-documents/guidance-on-reach>

Compatible Parts



TE Part # 2305570-1
Strip Terminal Cutter-Side Feed-No Crimp



TE Part # 654174-1
POS.LOCK HANDTOOL



TE Part # 2-2836571-2
OCEAN_2.0_Applicator-S-090F130OV



TE Part # 2151182-2
OCEAN_2.0_APPLICATION-S-090F130F



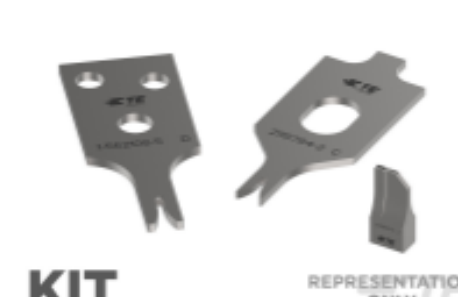
TE Part # 2836571-2
OCEAN_2.0_Applicator-S-090F130OV



TE Part # 5-2151182-2
OCEAN_2.0_APPLICATION-S-090F130F



TE Part # 7-2151182-2
OCEAN_2.0_APPLICATION-S-090F130F



TE Part # 7-2151182-7
OCEAN_2.0_SPARE_PART_KIT-090F130F



TE Part # 7-2836571-2
OCEAN_2.0_Applicator-S-090F130OV



TE Part # 7-2836571-7
OCEAN_2.0_SPARE_PART_KIT-090F130OV

Also in the Series | **Mark I**



Automotive Housings(3)



Automotive Terminals(11)



Crimp Terminal Housings(24)



Insertion & Extraction Tools(1)



Quick Disconnects(29)

Also in the Series | Positive Lock 250



Automotive Terminals(1)



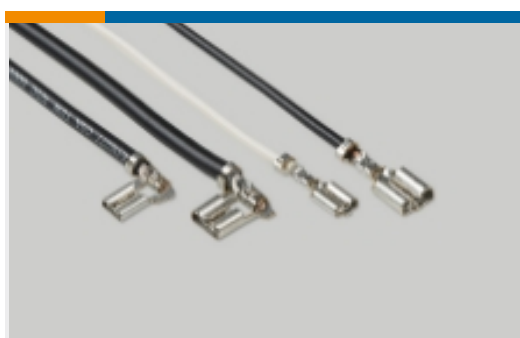
Crimp Terminal Housings(193)



Insertion & Extraction Tools(3)



Insulation Boots & Sleeves(4)



Quick Disconnects(186)

Customers Also Bought



TE Part #179609-1
Common Termination Contacts —
POWER TRIPLE LOCK



TE Part #172213-3
EIS CAP HSG PANEL MOUNT 3P
NATUTURAL



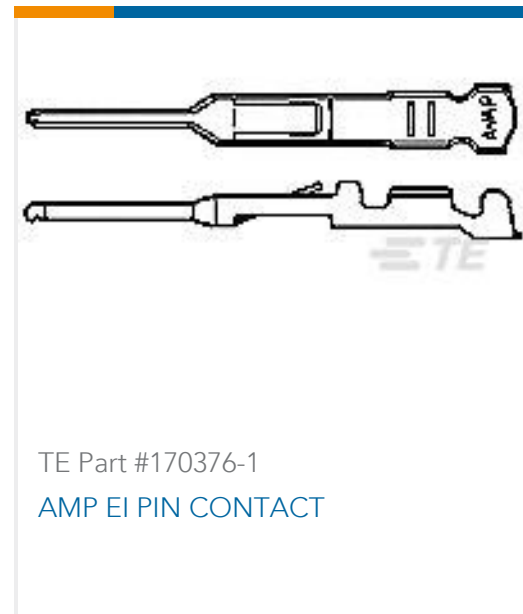
TE Part #172167-1
4 CIR UNIV M-N-L PLUG



TE Part #172213-2
EIS CAP HSG PANEL MOUNT 2P
NATUTURAL



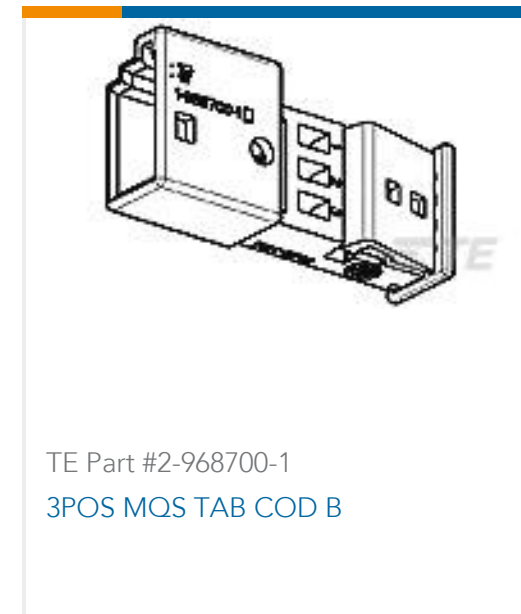
TE Part #41772-1
250 FASTON REC 22-18 AWG BR



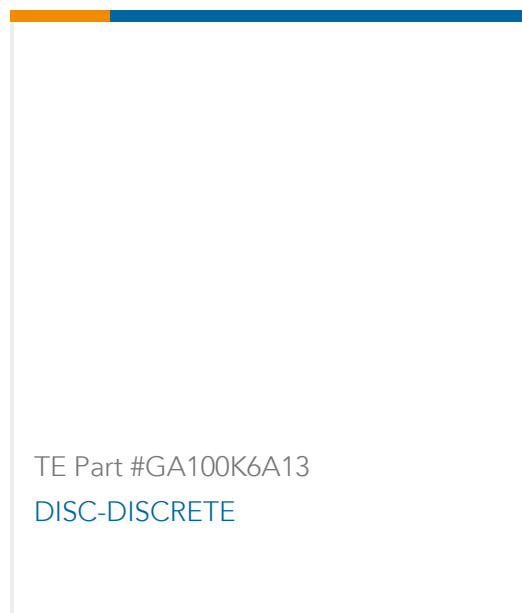
TE Part #170376-1
AMP EI PIN CONTACT



TE Part #GA100K6A1B
DISCRETE 100K OHMS, +/-0.2C 0C TO
70C



TE Part #2-968700-1
3POS MQS TAB COD B



TE Part #GA100K6A13
DISC-DISCRETE

Documents

Product Drawings

[POSITIVE LOCK 250 REC 0.5-1.5MM2 NISI](#)

English

CAD Files

[3D PDF](#)

3D

Customer View Model

[ENG_CVM_CVM_2-160759-9_AL.2d_dxf.zip](#)

English

Customer View Model

[ENG_CVM_CVM_2-160759-9_AL.3d_igs.zip](#)

English

Customer View Model

[ENG_CVM_CVM_2-160759-9_AL.3d_stp.zip](#)

English

By downloading the CAD file I accept and agree to the [Terms and Conditions](#) of use.

Product Specifications



[AMP positive lock MKI rec. terminal with latching device](#)

[Application Specification](#)

[EB**General Application Specification for Open Barrel Terminals](#)

English

[Application Specification](#)

English

[Product Environmental Compliance](#)

[Product Compliance](#)

English

[Product Compliance](#)

English