

2-160256-1 ✓ ACTIVE

FASTON | FASTON 250

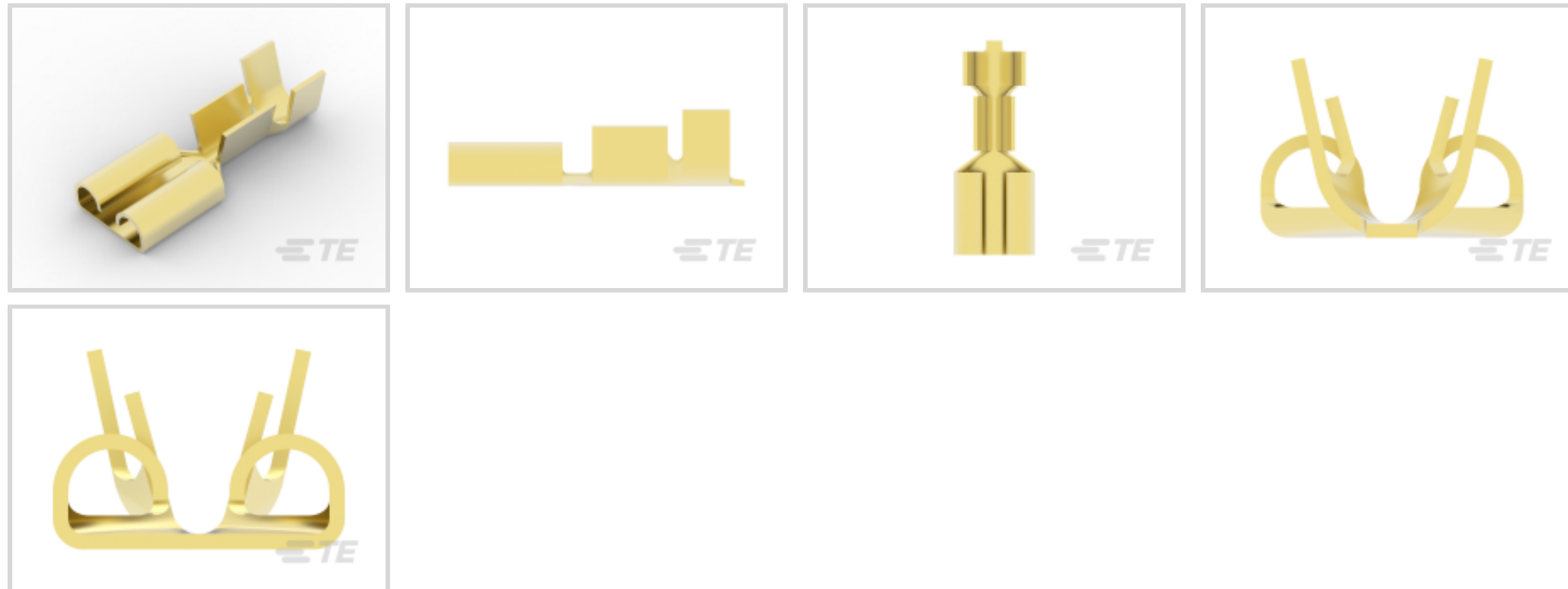
TE Internal #: 2-160256-1

Quick Disconnects, Receptacle, 17 – 14 AWG Wire Size, 1 – 2.5 mm² Wire Size, Mating Tab Width 6.35 mm [.25 in], Straight, Brass, FASTON 250

[View on TE.com >](#)



Terminals & Splices > Quick Disconnects



Quick Disconnect Terminal Type: **Receptacle**

Wire Size: 1 – 2.5 mm²

Mating Tab Width: 6.35 mm [.25 in]

Mating Tab Thickness: .81 mm [.032 in]

Features

Product Type Features

Insertion Force	Normal
-----------------	--------

Configuration Features

Connection Capacity	Single
Compatible With Wire & Cable Type	Discrete Wire

Contact Features

Quick Disconnect Terminal Type	Receptacle
Mating Tab Width	6.35 mm [.25 in]
Mating Tab Thickness	.81 mm [.032 in]
Terminal Orientation	Straight
Contact Base Material	Brass
Terminal Plating Material	Unplated
Crimp Type	F-Crimp
Barrel Type	Open

Termination Features



Product Terminates To	Wire & Cable
-----------------------	--------------

Mechanical Attachment

Extraction Force	80 Newton
------------------	-----------

Wire Insulation Support	With
-------------------------	------

Mating Retention Type	Dimple
-----------------------	--------

Dimensions

Terminal Material Thickness	.41 mm[.016 in]
-----------------------------	-----------------

Product Length	19 mm[.748 in]
----------------	----------------

Compatible Insulation Diameter Range	3 – 4.3 mm[.118 – .169 in]
--------------------------------------	----------------------------

Wire Size	1 – 2.5 mm ²
-----------	-------------------------

Usage Conditions

Insulation Option	Uninsulated
-------------------	-------------

Operating Temperature Range	-40 – 110 °C[-40 – 230 °F]
-----------------------------	----------------------------

Industry Standards

Agency/Standard	CSA, UL
-----------------	---------

Packaging Features

Packaging Quantity	7000
--------------------	------

Packaging Method	Strip/Reel
------------------	------------

Other

Line	Premier
------	---------

Terminals & Splices Comment	Versions according to DIN 46247, Part 3
-----------------------------	---

Product Compliance

[For compliance documentation, visit the product page on TE.com>](#)

EU RoHS Directive 2011/65/EU	Compliant
------------------------------	-----------

EU ELV Directive 2000/53/EC	Compliant
-----------------------------	-----------

China RoHS 2 Directive MIIT Order No 32, 2016	No Restricted Materials Above Threshold
---	---

EU REACH Regulation (EC) No. 1907/2006	Current ECHA Candidate List: JUNE 2023 (235) Candidate List Declared Against: JUNE 2023 (235) Does not contain REACH SVHC
--	---

Halogen Content	Low Halogen - Br, Cl, F, I < 900 ppm per homogenous material. Also BFR/CFR/PVC
-----------------	--

Free

Solder Process Capability

Not applicable for solder process capability

Product Compliance Disclaimer

This information is provided based on reasonable inquiry of our suppliers and represents our current actual knowledge based on the information they provided. This information is subject to change. The part numbers that TE has identified as EU RoHS compliant have a maximum concentration of 0.1% by weight in homogenous materials for lead, hexavalent chromium, mercury, PBB, PBDE, DBP, BBP, DEHP, DIBP, and 0.01% for cadmium, or qualify for an exemption to these limits as defined in the Annexes of Directive 2011/65/EU (RoHS2). Finished electrical and electronic equipment products will be CE marked as required by Directive 2011/65/EU. Components may not be CE marked. Additionally, the part numbers that TE has identified as EU ELV compliant have a maximum concentration of 0.1% by weight in homogenous materials for lead, hexavalent chromium, and mercury, and 0.01% for cadmium, or qualify for an exemption to these limits as defined in the Annexes of Directive 2000/53/EC (ELV). Regarding the REACH Regulation, the information TE provides on SVHC in articles for this part number is based on the latest European Chemicals Agency (ECHA) 'Guidance on requirements for substances in articles' posted at this URL: <https://echa.europa.eu/guidance-documents/guidance-on-reach>

Compatible Parts



TE Part # 63648-1
250 FASTON FLAG REC 20-14 AWG
BR



TE Part # 180397-1
250 FASTON,FLAG,REC.,17-14 AWG,
BR



TE Part # 151321-1
250 FASTON,FLAG,P-BACK REC.,18-
14 AWG,BR



TE Part # 2150234-1
OCEAN_2.0_APPLICATOR-E-110F180F



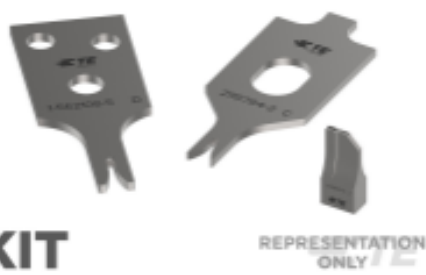
TE Part # 2150234-2
OCEAN_2.0_APPLICATOR-E-110F180F



TE Part # 7-2150234-1
OCEAN_2.0_APPLICATOR-E-110F180F



TE Part # 7-2150234-2
OCEAN_2.0_APPLICATOR-E-110F180F



KIT
REPRESENTATION ONLY

TE Part # 7-2150234-7
OCEAN_2.0_SPARE_PART_KIT-
110F180F



TE Part # 2-2150234-2
OCEAN_2.0_APPLICATOR-E-110F180F

Also in the Series | **FASTON 250**



Compression Connectors(4)



Crimp Terminal Housings(142)



Insertion & Extraction Tools(6)



Magnet Wire Terminals(1)



PCB Terminals(135)



Quick Disconnects(445)

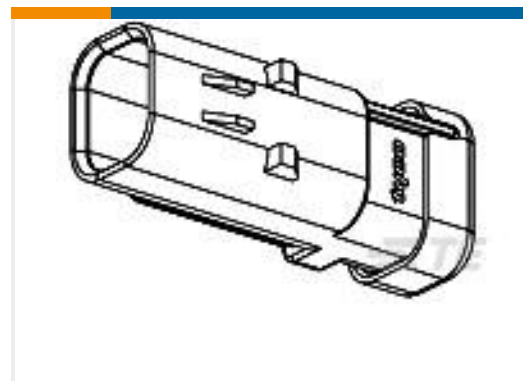


Splices(4)

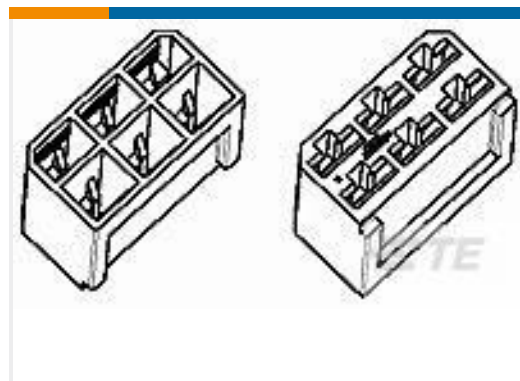
Customers Also Bought



TE Part #NB-PTCO-050
Pt1000, 1.2x4.0, Class A,
PTFM102A1G0



TE Part #776430-3
AS 16, 3P CAP ASSY, KEY 3



TE Part #280314
FF 250 REC HSG 6P NYLON CLEAR



TE Part #6-160448-5
FF 250 REC 1.0-2.5MM2 TPBR



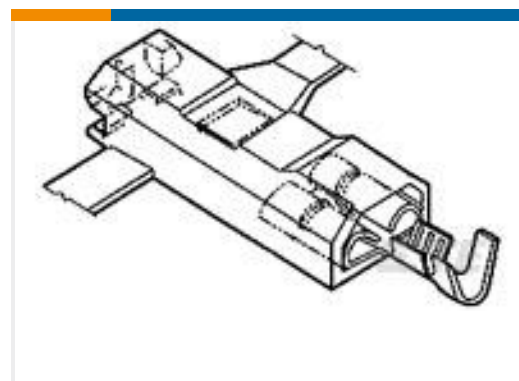
TE Part #1-480698-1
02P UMNL PLUG HSG BRN



TE Part #1-480711-9
15P UMNL CAP HSG BLK



TE Part #1-480699-1
02P UMNL CAP HSG BRN



TE Part #521998-2
ULTRA-POD 250 ASSY REC 18-14
AWG TPBR



TE Part #1586055-3
VAL-U-LOK SKT PHBZ SN 16AWG

Documents



Product Drawings

[250 FASTON,REC.,17-14 AWG,BR](#)

English

CAD Files

[3D PDF](#)

3D

Customer View Model

[ENG_CVM_CVM_2-160256-1_CV_c-2-160256-1-cv.2d_dxf.zip](#)

English

Customer View Model

[ENG_CVM_CVM_2-160256-1_CV_c-2-160256-1-cv.3d_igs.zip](#)

English

Customer View Model

[ENG_CVM_CVM_2-160256-1_CV_c-2-160256-1-cv.3d_stp.zip](#)

English

By downloading the CAD file I accept and agree to the [Terms and Conditions](#) of use.

Product Specifications

[Application Specification](#)

English

Product Environmental Compliance

[TE Material Declaration](#)

English

Agency Approvals

[UL Report](#)

English