



Relays, Contactors & Switches > Relays > Signal Relays



Contact Voltage Rating: **220 VDC**

Signal Relay Coil Power Rating (DC): **140 mW**

Isolation (HF Parameter): **-18.8dB @ 900MHz, -37dB @ 100MHz**

Insertion Loss (HF Parameter): **-.03dB @ 100MHz, -.33dB @ 900MHz**

Features

Product Type Features

| | |
|--------------|--------------|
| Relay Type | IM - B Relay |
| Product Type | Relay |

Electrical Characteristics

| | |
|--|------------------------------|
| Coil Power Rating Class | 50 – 300 mW |
| Actuating System | DC |
| Insulation Initial Dielectric Between Open Contacts | 1000 Vrms |
| Contact Limiting Short-Time Current | 2 A |
| Insulation Initial Dielectric Between Contacts and Coil | 1800 Vrms |
| Insulation Initial Dielectric Between Coil/Contact Class | 1500 V – 2500 VA |
| Voltage Standing Wave Ration (HF Parameter) | 1.06 @ 100MHz, 1.49 @ 900Mhz |
| Insulation Initial Resistance | 1000000 MΩ |
| Contact Limiting Making Current | 2 A |
| Coil Resistance | 145 Ω |
| Contact Limiting Continuous Current | 2 A |
| Coil Type | Monostable |

| | |
|--|---------------------------|
| Contact Limiting Breaking Current | 2 A |
| Contact Switching Load (Min) | .1mA @ .0001V |
| Coil Special Features | Overmolded Coil |
| Contact Voltage Rating | 220 VDC |
| Signal Relay Coil Power Rating (DC) | 140 mW |
| Signal Relay Coil Voltage Rating | 4.5 VDC |
| Signal Relay Contact Switching Voltage (Max) | 220 VDC |
| Signal Relay Coil Magnetic System | Monostable, DC, Polarized |

Signal Characteristics

| | |
|-------------------------------|----------------------------------|
| Isolation (HF Parameter) | -18.8dB @ 900MHz, -37dB @ 100MHz |
| Insertion Loss (HF Parameter) | -.03dB @ 100MHz, -.33dB @ 900MHz |

Contact Features

| | |
|-------------------------------------|---------------|
| Contact Plating Material | Gold |
| Signal Relay Terminal Type | PCB-SMT |
| Signal Relay Contact Current Rating | 2 A |
| Signal Relay Contact Arrangement | 1 Form A (NO) |
| Contact Material | AgNi |
| Contact Number of Poles | 1 |

Termination Features

| | |
|------------------|---------------|
| Termination Type | Surface Mount |
|------------------|---------------|

Mechanical Attachment

| | |
|----------------------------|-----------------------|
| Signal Relay Mounting Type | Printed Circuit Board |
|----------------------------|-----------------------|

Dimensions

| | |
|--------------------------------------|---|
| Width Class (Mechanical) | 0 – 6 mm |
| Width | 6 mm[.236 in] |
| Height | 5.65 mm |
| Length Class (Mechanical) | 0 – 10 mm |
| Length | 10 mm[.393 in] |
| Height Class (Mechanical) | 0 – 6 mm |
| Dimensions (L x W x H) (Approximate) | 10 x 6 x 5.65 mm[.393 x .236 x .222 in] |

Usage Conditions

| | |
|---|---------------|
| Environmental Ambient Temperature (Max) | 85 °C[185 °F] |
|---|---------------|



| | |
|---|-------------|
| Environmental Ambient Temperature Class | 70 – 85°C |
| Operating Temperature Range | -40 – 85 °C |

Operation/Application

| | |
|------------------|--------------|
| Performance Type | High Current |
|------------------|--------------|

Packaging Features

| | |
|------------------|------|
| Packaging Method | Reel |
|------------------|------|

Product Compliance

[For compliance documentation, visit the product page on TE.com>](#)

| | |
|---|---|
| EU RoHS Directive 2011/65/EU | Compliant |
| EU ELV Directive 2000/53/EC | Compliant |
| China RoHS 2 Directive MIIT Order No 32, 2016 | No Restricted Materials Above Threshold |
| EU REACH Regulation (EC) No. 1907/2006 | Current ECHA Candidate List: JUNE 2023 (235) Candidate List Declared Against: JUNE 2023 (235) Does not contain REACH SVHC |
| Halogen Content | Not Yet Reviewed for halogen content |
| Solder Process Capability | Not reviewed for solder process capability |

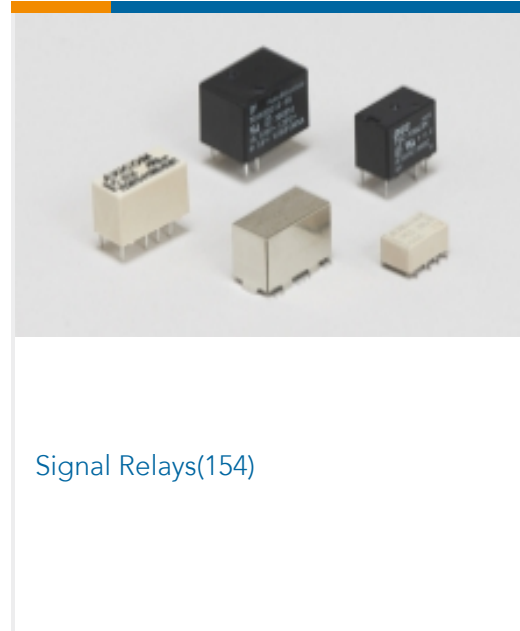
Product Compliance Disclaimer

This information is provided based on reasonable inquiry of our suppliers and represents our current actual knowledge based on the information they provided. This information is subject to change. The part numbers that TE has identified as EU RoHS compliant have a maximum concentration of 0.1% by weight in homogenous materials for lead, hexavalent chromium, mercury, PBB, PBDE, DBP, BBP, DEHP, DIBP, and 0.01% for cadmium, or qualify for an exemption to these limits as defined in the Annexes of Directive 2011/65/EU (RoHS2). Finished electrical and electronic equipment products will be CE marked as required by Directive 2011/65/EU. Components may not be CE marked. Additionally, the part numbers that TE has identified as EU ELV compliant have a maximum concentration of 0.1% by weight in homogenous materials for lead, hexavalent chromium, and mercury, and 0.01% for cadmium, or qualify for an exemption to these limits as defined in the Annexes of Directive 2000/53/EC (ELV). Regarding the REACH Regulations, TE’s information on SVHC in articles for this part number is still based on the European Chemical Agency (ECHA) ‘Guidance on requirements for substances in articles’ (Version: 2, April 2011), applying the 0.1% weight on weight concentration threshold at the finished product level. TE is aware of the European Court of Justice ruling of September 10th, 2015 also known as O5A (Once An Article Always An Article) stating that, in case of ‘complex object’, the threshold for a SVHC must be applied to both the product as a whole and simultaneously to each of the articles forming part of its composition. TE has evaluated this ruling based on the new ECHA “Guidance on requirements for substances in articles” (June 2017, version 4.0) and will be updating its statements accordingly.

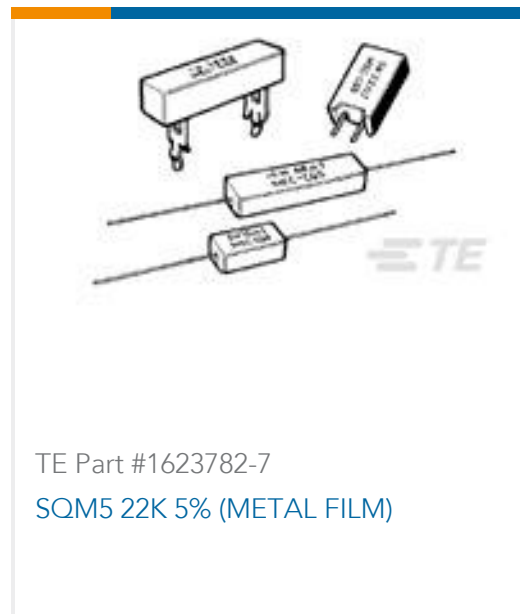
Compatible Parts



Also in the Series | Axicom IM



Customers Also Bought



Documents

Product Drawings

IMB02IGR=IM RELAY 140mW 4.5V

English

CAD Files

Customer View Model

ENG_CVM_CVM_2-1462041-2_1.3d_stp.zip



English

Customer View Model

[ENG_CVM_CVM_2-1462041-2_1.3d_igs.zip](#)

English

[3D PDF](#)

3D

Customer View Model

[ENG_CVM_CVM_2-1462041-2_1.2d_dxf.zip](#)

English

By downloading the CAD file I accept and agree to the [Terms and Conditions](#) of use.

Datasheets & Catalog Pages

[IMB Relay](#)

English

Agency Approvals

[UL](#)

English