



Agastat

TE Internal #: 2-1437463-1

Time Delay Relays, Knob, 120 VAC Input, 125 VDC Input, Timing Range (Off-Time) .5 – 15 seconds, 5A@120VAC A, Off-Delay, Socket

[View on TE.com >](#)

Relays, Contactors & Switches > Relays > Time Delay Relays



Type of Control: **Knob**

Time Delay Relay Input Voltage: **125 VDC**

Timing Range (Off-Time): **.5 – 15 seconds**

Time Delay Relay Contact Current Rating: **5A@120VAC A**

Features

Product Type Features

Product Type	Relay
Relay Type	Time Delay
Product Category	Electromechanical Relays
Magnetic Blow-Out Device	Without

Configuration Features

Multiple Timing Ranges	Without
------------------------	---------

Electrical Characteristics

Actuating System	AC/DC
Time Delay Relay Input Voltage	125 VDC
Timing Range (Off-Time)	.5 – 15 seconds

Contact Features

Contact Arrangement	2 Form C, DPDT, 2 C/O
Type of Control	Knob
Time Delay Relay Contact Current Rating	5A@120VAC A

Termination Features

Termination Type	8 Pin Octal Type Plug
------------------	-----------------------

Mechanical Attachment

Time Delay Relay Mounting Type	Socket
--------------------------------	--------



Dimensions

Dimensions (L x W x H) (Approximate)	50 x 50 x 83 mm[1.97 x 1.97 x 3.27 in]
--------------------------------------	--

Usage Conditions

Operating Temperature Range	-30 – 65 °C
-----------------------------	-------------

Operation/Application

Mode of Operation	Off-Delay
-------------------	-----------

Other

Repeatability (Max)	±1%
---------------------	-----

Product Compliance

[For compliance documentation, visit the product page on TE.com>](#)

EU RoHS Directive 2011/65/EU	Compliant
EU ELV Directive 2000/53/EC	Not Compliant
China RoHS 2 Directive MIIT Order No 32, 2016	No Restricted Materials Above Threshold
EU REACH Regulation (EC) No. 1907/2006	Current ECHA Candidate List: JUNE 2023 (235) Candidate List Declared Against: JAN 2023 (233) Does not contain REACH SVHC
Halogen Content	Low Halogen - Br, Cl, F, I < 900 ppm per homogenous material. Also BFR/CFR/PVC Free
Solder Process Capability	Not lead free process capable

Product Compliance Disclaimer

This information is provided based on reasonable inquiry of our suppliers and represents our current actual knowledge based on the information they provided. This information is subject to change. The part numbers that TE has identified as EU RoHS compliant have a maximum concentration of 0.1% by weight in homogenous materials for lead, hexavalent chromium, mercury, PBB, PBDE, DBP, BBP, DEHP, DIBP, and 0.01% for cadmium, or qualify for an exemption to these limits as defined in the Annexes of Directive 2011/65/EU (RoHS2). Finished electrical and electronic equipment products will be CE marked as required by Directive 2011/65/EU. Components may not be CE marked. Additionally, the part numbers that TE has identified as EU ELV compliant have a maximum concentration of 0.1% by weight in homogenous materials for lead, hexavalent chromium, and mercury, and 0.01% for cadmium, or qualify for an exemption to these limits as defined in the Annexes of Directive 2000/53/EC (ELV). Regarding the REACH Regulation, the information TE provides on SVHC in articles for this part number is based on the latest European Chemicals Agency (ECHA) 'Guidance on requirements for substances in articles' posted at this URL: <https://echa.europa.eu/guidance-documents/guidance-on-reach>

Compatible Parts



TE Part # 2-1437463-4
 SCERX22ACA=120V&125VDC 1 TO 30



TE Part # 1437463-4
 SCERW21ABA=120V &125VDC 0.5 TO



TE Part # 1437463-5
 SCERW21ACA=RELAY 120VAC 1-30 S



TE Part # 1437463-6
 SCERW21AEA=120V &125VDC 4 TO12



TE Part # 2-1437463-8
 SCERX22AGA=120V &125VDC 10 TO3



TE Part # 2-1437463-9
 SCERX22ALA=2P,120VAC/125VDC,
 0.33-10MIN



TE Part # 3-1437463-1
 SCERX22EAA=24V 0.1 TO 3SEC



TE Part # 3-1437463-8
 SCERX22FBA=SCERX22FBA



TE Part # 1755052-1
 SCERW21ACA=RLY,TRU OFF,120VAC,
 10 AMP



TE Part # 1755052-2
 SCERW21ECA=RLY,TRU OFF,24V,
 30SEC,KNOB



TE Part # 1755052-3
 SCERW22ABA=RLY,TRUOFF,120V,15S,
 10A

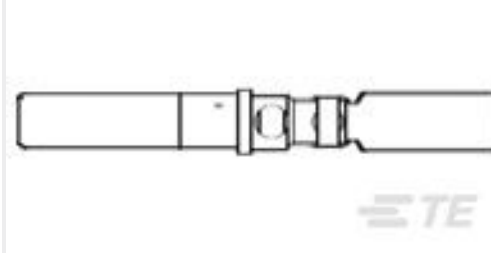
Customers Also Bought




TE Part #6609100-1
 PE0SS000=C1137



TE Part #1757819-7
 AMPLIMITE,ASY,PLUG,STD,109,ZN,2,
 CT



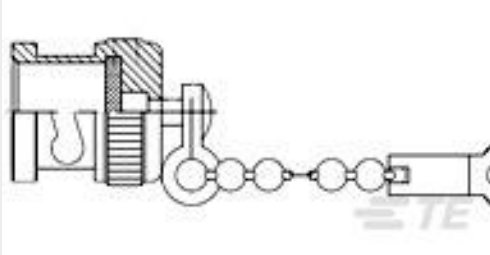
TE Part #910661-000
 D-602-0279



TE Part #5748678-2
 2 PC PLST CBL CLMP KIT



TE Part #845569-000
 D-602-0278



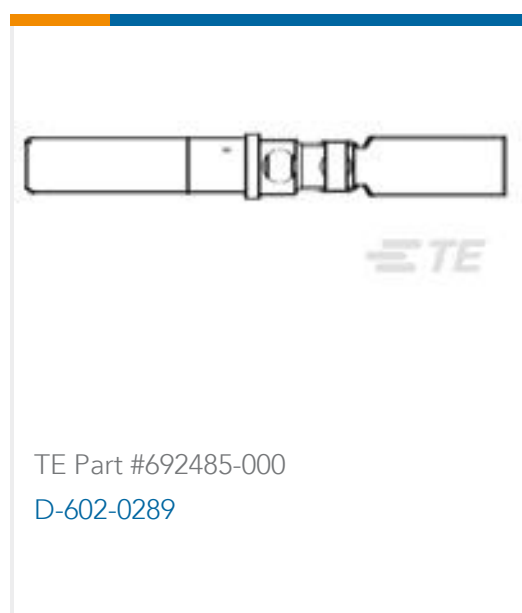
TE Part #1-1337524-0
 BNC Plg DCap & Chn Nickel Pltd



TE Part #9-1423164-6
 7022SAT=RLY,STD,OFF,2P,250VDC,



TE Part #342513-000
 D-602-0288



Documents

Product Drawings

[SCERX22ABA=120V &125VDC 0.5 TO](#)

English

Datasheets & Catalog Pages

[5-1773450-5_sec12_SCE](#)

English