

2-1416100-0 ✓ ACTIVE

TE Internal #: 2-1416100-0

TE Internal Description: ST3FLC4

[View on TE.com >](#)



## Product Compliance

[For compliance documentation, visit the product page on TE.com>](#)

EU RoHS Directive 2011/65/EU	Compliant with Exemptions
EU ELV Directive 2000/53/EC	Compliant with Exemptions
China RoHS 2 Directive MIIT Order No 32, 2016	Restricted Materials Above Threshold
EU REACH Regulation (EC) No. 1907/2006	Current ECHA Candidate List: JUNE 2023 (235) Candidate List Declared Against: JUNE 2023 (235) Does not contain REACH SVHC
Halogen Content	Low Halogen - Br, Cl, F, I < 900 ppm per homogenous material. Also BFR/CFR/PVC Free
Solder Process Capability	Not applicable for solder process capability

### Product Compliance Disclaimer

This information is provided based on reasonable inquiry of our suppliers and represents our current actual knowledge based on the information they provided. This information is subject to change. The part numbers that TE has identified as EU RoHS compliant have a maximum concentration of 0.1% by weight in homogenous materials for lead, hexavalent chromium, mercury, PBB, PBDE, DBP, BBP, DEHP, DIBP, and 0.01% for cadmium, or qualify for an exemption to these limits as defined in the Annexes of Directive 2011/65/EU (RoHS2). Finished electrical and electronic equipment products will be CE marked as required by Directive 2011/65/EU. Components may not be CE marked. Additionally, the part numbers that TE has identified as EU ELV compliant have a maximum concentration of 0.1% by weight in homogenous materials for lead, hexavalent chromium, and mercury, and 0.01% for cadmium, or qualify for an exemption to these limits as defined in the Annexes of Directive 2000/53/EC (ELV). Regarding the REACH Regulation, the information TE provides on SVHC in articles for this part number is based on the latest European Chemicals Agency (ECHA) 'Guidance on requirements for substances in articles' posted at this URL: <https://echa.europa.eu/guidance-documents/guidance-on-reach>

## Compatible Parts

TE Part # 3-1393236-0  
V23092-A1024-A801

TE Part # 7-1393236-4  
V23092-B1024-A301

TE Part # 3-1393236-7  
V23092-A1048-A301

TE Part # 2-1393236-2  
V23092-A1024-A202

TE Part # 2-1393236-1  
V23092-A1024-A201

TE Part # 1956024-4  
V23092-S1024-A301

TE Part # 7-1393236-1  
V23092-B1012-A301

TE Part # 6-1393236-9  
V23092-B1012-A201

TE Part # 7-1393236-2  
V23092-B1024-A201

TE Part # 7-1393236-5  
V23092-B1024-A302

TE Part # 1393236-5  
V23092-A1012-A202

TE Part # 1-1393236-3  
V23092A1012A801

TE Part # 2-1393236-5  
V23092-A1024-A302

TE Part # 2-1393236-4  
V23092-A1024-A301

TE Part # 1393236-4  
V23092-A1012-A201

TE Part # 1956020-2  
V23092-B1012-A302

TE Part # 1956020-6  
V23092-B1024-A801

TE Part # 1956024-1  
V23092-S1012-A201

TE Part # 1956024-2  
V23092-S1012-A301

TE Part # 1956024-3  
V23092-S1024-A201

### Customers Also Bought



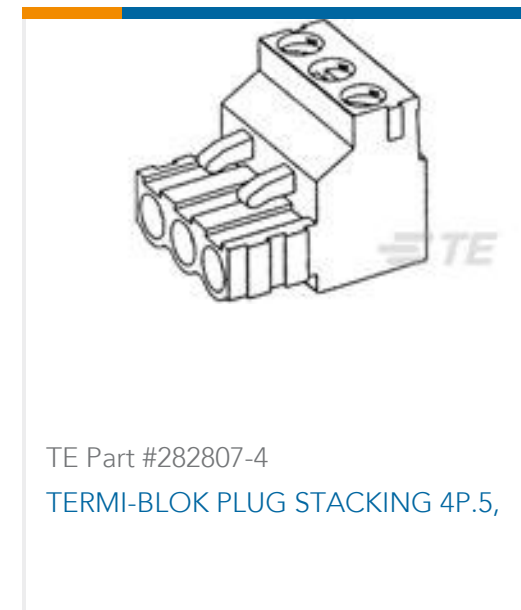
TE Part #8-215083-8  
MICRO-MATCH MOW.18P



TE Part #1-1415526-1  
PT78742



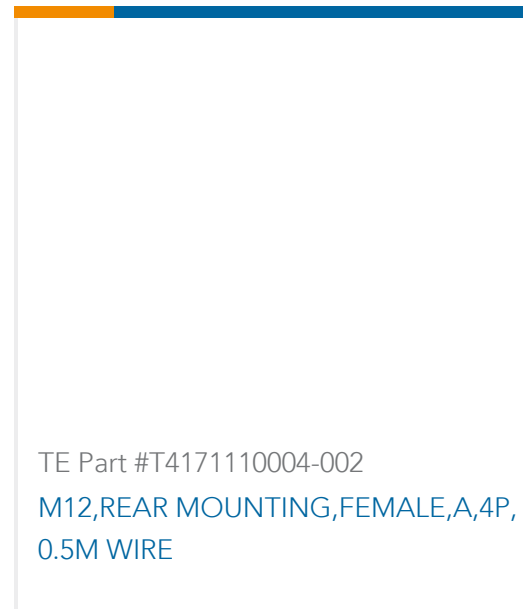
TE Part #1757824-6  
AMPLIMITE,ASY,RCPT,STD,90,ZN,6



TE Part #282807-4  
TERMI-BLOK PLUG STACKING 4P.5,



TE Part #474819-E  
SRCP 1,27 10 M 1-KS SMD 137 E1 094  
\* GU-



TE Part #T4171110004-002  
M12,REAR MOUNTING,FEMALE,A,4P,  
0.5M WIRE

## Documents

### CAD Files

3D PDF

3D

Customer View Model

[ENG\\_CVM\\_CVM\\_2-1416100-0\\_A1.2d\\_dxf.zip](#)

English

Customer View Model

[ENG\\_CVM\\_CVM\\_2-1416100-0\\_A1.3d\\_igs.zip](#)

English

Customer View Model

[ENG\\_CVM\\_CVM\\_2-1416100-0\\_A1.3d\\_stp.zip](#)

English

By downloading the CAD file I accept and agree to the [Terms and Conditions](#) of use.

### Datasheets & Catalog Pages

[Accessories Slim Interface Relay SNR](#)

English

### Product Specifications

[Definitions General Purpose Relays](#)

English