

2-1411573-1 ✓ ACTIVE

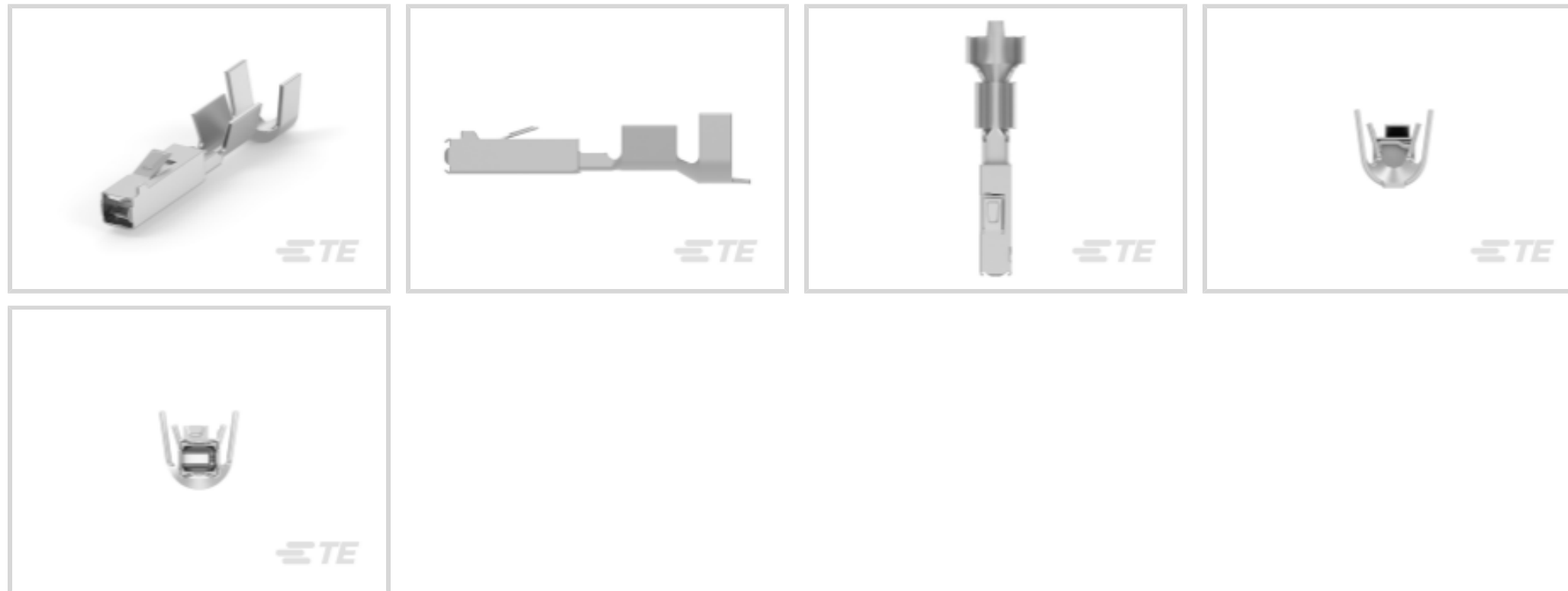
TE Internal #: 2-1411573-1

Automotive Terminals, Receptacle, Mating Tab Width .63 mm [.024 in], Tab Thickness .63 mm [.024 in], 20 – 18 AWG Wire Size, .5 – .75 mm<sup>2</sup> Wire Size

[View on TE.com >](#)



Terminals & Splices > Automotive Terminals



Terminal Type: **Receptacle**

Mating Tab Width: **.63 mm [.024 in]**

Mating Tab Thickness: **.63 mm [.024 in]**

Terminal Transmits: **0 – 24 A (Low Power)**

Wire Size: **20 – 18 AWG**

## Features

### Product Type Features

Sealable	No
Primary Locking Feature	Locking Lance

### Contact Features

Contact Size	.63mm
Contact Fabrication	Stamped & Formed
Wire Contact Termination Area Plating Material	Tin
Typical Current Rating	7.5 A
Crimp Type	F-Crimp
Terminal Type	Receptacle
Mating Tab Width	.63 mm[.024 in]
Mating Tab Thickness	.63 mm[.024 in]
Interface Plating	Tin (Sn)

### Termination Features

Termination Method to Wire & Cable	Crimp
------------------------------------	-------



Product Terminates To

Wire

### Dimensions

Wire Size

.5 – .75 mm<sup>2</sup>

Wire Size Search

18 AWG, 19 AWG, 20 AWG

### Usage Conditions

Insulation Option

Uninsulated

Operating Temperature (Max)

80 °C, 85 °C, 90 °C, 100 °C, 105 °C, 110 °C,  
120 °C[176 °F][185 °F][194 °F][212 °F][221 °F]  
[230 °F][248 °F]

Operating Temperature Range

-40 – 120 °C[-40 – 248 °F]

### Operation/Application

Compatible With Wire Base Material

Copper

### Packaging Features

Packaging Quantity

7000

Packaging Method

Reel

### Other

Terminal Transmits

0 – 24 A (Low Power)

## Product Compliance

[For compliance documentation, visit the product page on TE.com>](#)

EU RoHS Directive 2011/65/EU

Compliant

EU ELV Directive 2000/53/EC

Compliant

China RoHS 2 Directive MIIT Order No 32, 2016

No Restricted Materials Above Threshold

EU REACH Regulation (EC) No. 1907/2006

Current ECHA Candidate List: JUNE 2023  
(235)  
Candidate List Declared Against: JAN 2023  
(233)  
Does not contain REACH SVHC

Halogen Content

Low Halogen - Br, Cl, F, I < 900 ppm per  
homogenous material. Also BFR/CFR/PVC  
Free

Solder Process Capability

Not applicable for solder process capability

#### Product Compliance Disclaimer

This information is provided based on reasonable inquiry of our suppliers and represents our current actual knowledge based on the information they provided. This information is subject to change. The part numbers that TE has identified as EU RoHS compliant have a maximum concentration of 0.1% by weight in homogenous materials for lead, hexavalent



chromium, mercury, PBB, PBDE, DBP, BBP, DEHP, DIBP, and 0.01% for cadmium, or qualify for an exemption to these limits as defined in the Annexes of Directive 2011/65/EU (RoHS2). Finished electrical and electronic equipment products will be CE marked as required by Directive 2011/65/EU. Components may not be CE marked. Additionally, the part numbers that TE has identified as EU ELV compliant have a maximum concentration of 0.1% by weight in homogenous materials for lead, hexavalent chromium, and mercury, and 0.01% for cadmium, or qualify for an exemption to these limits as defined in the Annexes of Directive 2000/53/EC (ELV). Regarding the REACH Regulation, the information TE provides on SVHC in articles for this part number is based on the latest European Chemicals Agency (ECHA) 'Guidance on requirements for substances in articles' posted at this URL: <https://echa.europa.eu/guidance-documents/guidance-on-reach>

## Compatible Parts



TE Part # 1393436-4  
V23542C1028B300=KABELBAUMST. 8



TE Part # 2151388-1  
OCEAN\_2.0\_Applicator-S-062F1200



TE Part # 2151388-2  
OCEAN\_2.0\_Applicator-S-062F1200



TE Part # 2393393-1  
SDE ELO 0.50-0.75mm<sup>2</sup> ASSY

REPRESENTATION ONLY. DIE SET MAY VARY. TE



TE Part # 2393393-2  
SDE ELO 0.50-0.75mm<sup>2</sup> DIE SET



TE Part # 7-2151388-1  
OCEAN\_2.0\_Applicator-S-062F1200



TE Part # 7-2151388-2  
OCEAN\_2.0\_Applicator-S-062F1200



TE Part # 7-2151388-7  
OCEAN\_2.0\_SPARE\_PART\_KIT-062F1200

KIT REPRESENTATION ONLY. TE



TE Part # 2-2151388-1  
OCEAN\_2.0\_Applicator-S-062F1200




TE Part # 2-2151388-2  
OCEAN\_2.0\_Applicator-S-062F1200

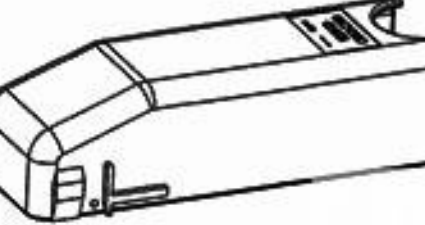
## Customers Also Bought



TE Part # 927766-1  
JPT REC 2.8 Contact SWS Sn



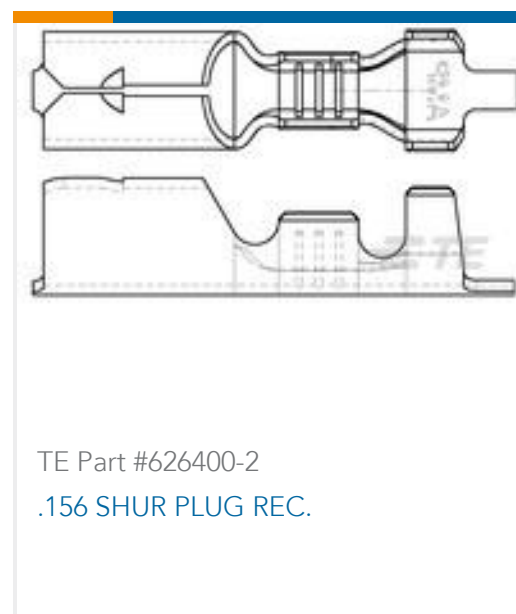
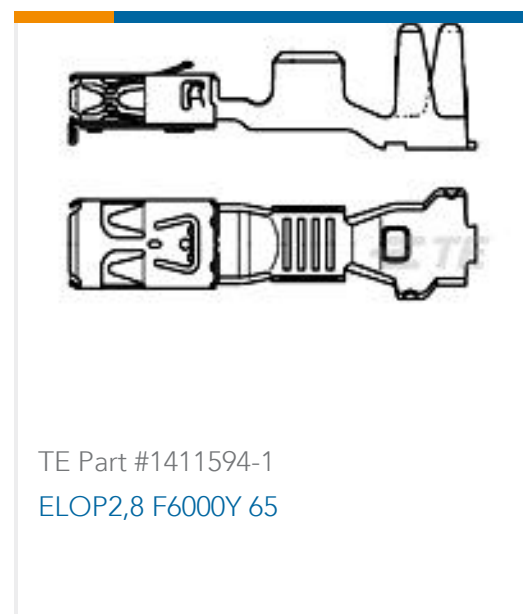
TE Part # 1393436-4  
V23542C1028B300=KABELBAUMST. 8



TE Part # 1393454-9  
V23542C1052Z300=ABDECKK 52PDIC



TE Part # 1393454-5  
V23542C1028Z300=ABDECKK 28PDIC



## Documents

### Product Drawings

[ELOGED F5700Y75](#)

English

### CAD Files

[3D PDF](#)

3D

Customer View Model

[ENG\\_CVM\\_CVM\\_2-1411573-1\\_A.2d\\_dxf.zip](#)

English

Customer View Model

[ENG\\_CVM\\_CVM\\_2-1411573-1\\_A.3d\\_igs.zip](#)

English

Customer View Model

[ENG\\_CVM\\_CVM\\_2-1411573-1\\_A.3d\\_stp.zip](#)

English

By downloading the CAD file I accept and agree to the [Terms and Conditions](#) of use.

### Product Specifications

[Verarbeitungsanweisung ELO Seal Crimpkontakte](#)

German

[Application Specification](#)

German

[Application Specification](#)

English