

W91-X112-40 ✓ ACTIVE

Potter & Brumfield | Potter & Brumfield W9

TE Internal #: 2-1393254-9

Circuit Breakers, Magnetic, Series Trip, Black, Operating Voltage 277 VAC, 40A Current Rating, 1 Pole, Potter & Brumfield W9

[View on TE.com >](#)



Relays, Contactors & Switches > Circuit Breakers



Circuit Breaker Type: **Magnetic**

Circuit Function: **Series Trip**

Illuminated: **No**

Actuator Color: **Black**

Operating Voltage: **277 VAC**

## Features

### Product Type Features

Illumination Type	No Light
Actuator Type	Toggle
Terminal Configuration	10-32 Stud
Circuit Breaker Type	Magnetic
Illuminated	No

### Configuration Features

	.75 x 2.065 in
Circuit Function	Series Trip
Number of Poles	1

### Electrical Characteristics

Operating Voltage	277 VAC
Current Rating	40 A
Interrupt Capacity	5000A @ 277VAC

### Body Features

Actuator Color	Black
----------------	-------

### Contact Features

Trip Time at 200%	2.2 – 20 seconds
-------------------	------------------

### Mechanical Attachment



Mounting Options	6-32 Mounting Threads
------------------	-----------------------

**Dimensions**

Product Height	63.5 mm[2.5 in]
----------------	-----------------

**Identification Marking**

Stamped Marking Type	International I/O
----------------------	-------------------

**Product Compliance**

[For compliance documentation, visit the product page on TE.com>](#)

EU RoHS Directive 2011/65/EU	Compliant with Exemptions
------------------------------	---------------------------

EU ELV Directive 2000/53/EC	Not Compliant
-----------------------------	---------------

China RoHS 2 Directive MIIT Order No 32, 2016	Restricted Materials Above Threshold
---	--------------------------------------

EU REACH Regulation (EC) No. 1907/2006	<p>Current ECHA Candidate List: JUNE 2023 (235) Candidate List Declared Against: JUNE 2022 (224) SVHC &gt; Threshold: Cadmium oxide (10% in Component part)</p> <p><b>Article Safe Usage Statements:</b> Use personal protective equipment as required. Do not eat, drink or smoke when using this product. Recycle if possible and dispose of the article by following all applicable governmental regulations relevant to your geographic location.</p>
--	---

Halogen Content	Low Halogen - Br, Cl, F, I < 900 ppm per homogenous material. Also BFR/CFR/PVC Free
-----------------	---

Solder Process Capability	Not applicable for solder process capability
---------------------------	--

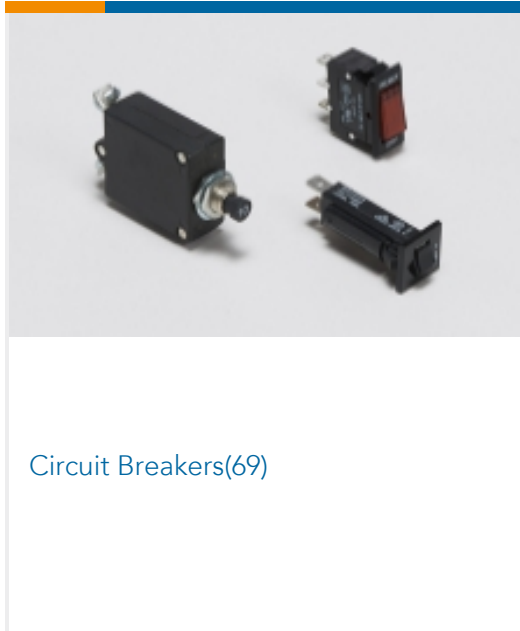
Product Compliance Disclaimer

This information is provided based on reasonable inquiry of our suppliers and represents our current actual knowledge based on the information they provided. This information is subject to change. The part numbers that TE has identified as EU RoHS compliant have a maximum concentration of 0.1% by weight in homogenous materials for lead, hexavalent chromium, mercury, PBB, PBDE, DBP, BBP, DEHP, DIBP, and 0.01% for cadmium, or qualify for an exemption to these limits as defined in the Annexes of Directive 2011/65/EU (RoHS2). Finished electrical and electronic equipment products will be CE marked as required by Directive 2011/65/EU. Components may not be CE marked. Additionally, the part numbers that TE has identified as EU ELV compliant have a maximum concentration of 0.1% by weight in homogenous materials for lead, hexavalent chromium, and mercury, and 0.01% for cadmium, or qualify for an exemption to these limits as defined in the Annexes of Directive 2000/53/EC (ELV). Regarding the REACH Regulation, the information TE provides on SVHC in articles for this part number is based on the latest European Chemicals Agency (ECHA) 'Guidance on requirements for substances in articles' posted at this URL: <https://echa.europa.eu/guidance-documents/guidance-on-reach>

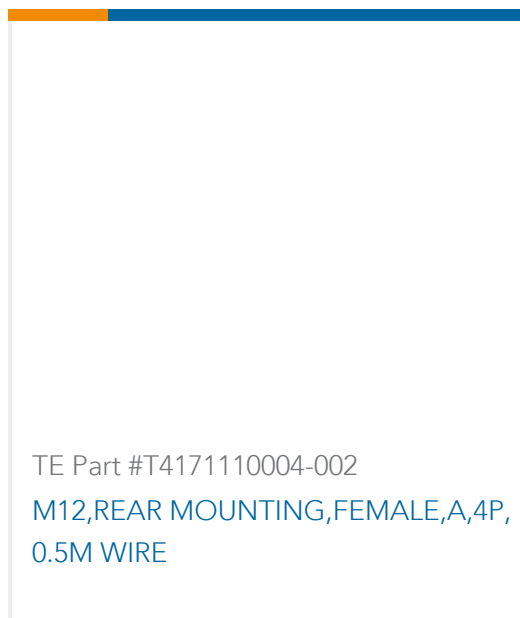
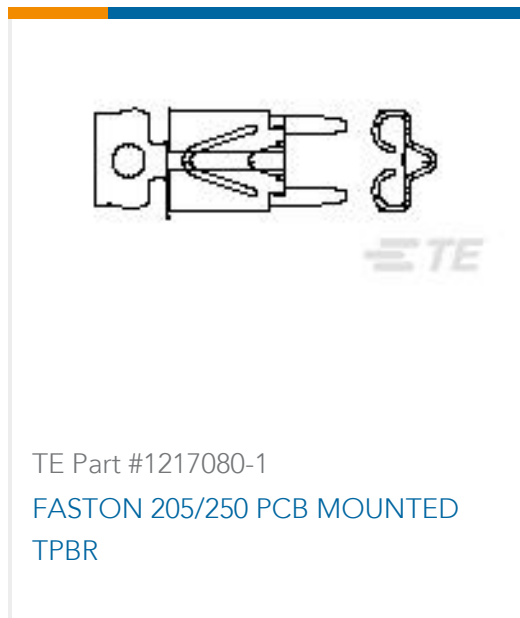
**Compatible Parts**



Also in the Series | **Potter & Brumfield W9**



Customers Also Bought





## Documents

### CAD Files

Customer View Model

[ENG\\_CVM\\_CVM\\_2-1393254-9\\_D.2d\\_dxf.zip](#)

English

### 3D PDF

3D

Customer View Model

[ENG\\_CVM\\_CVM\\_2-1393254-9\\_D.3d\\_igs.zip](#)

English

Customer View Model

[ENG\\_CVM\\_CVM\\_2-1393254-9\\_D.3d\\_stp.zip](#)

English

By downloading the CAD file I accept and agree to the [Terms and Conditions](#) of use.

### Datasheets & Catalog Pages

[W6/W9 Magnetic Hydraulic Circuit Breaker](#)

English

### Agency Approvals

[UL](#)

English