

W68-X2Q110-20 ✓ ACTIVE

Potter & Brumfield | Potter & Brumfield W6

TE Internal #: 2-1393253-1

Circuit Breakers, Magnetic, Series Trip, White, Operating Voltage 415 VAC / 277 VAC / 240 VAC, 20A Current Rating, 2 Pole, Potter & Brumfield W6

[View on TE.com >](#)



Relays, Contactors & Switches > Circuit Breakers



Circuit Breaker Type: **Magnetic**

Circuit Function: **Series Trip**

Illuminated: **No**

Actuator Color: **White**

Operating Voltage: **240 VAC, 277 VAC, 415 VAC**

Features

Product Type Features

Illumination Type	No Light
Actuator Type	Rocker, Toggle
Terminal Configuration	6.35 [.25] Straight Quick Connect Tab
Circuit Breaker Type	Magnetic
Illuminated	No

Configuration Features

	1.5 x 1.66 in
Circuit Function	Series Trip
Number of Poles	2

Electrical Characteristics

Operating Voltage	240 VAC, 277 VAC, 415 VAC
Current Rating	20 A
Interrupt Capacity	5000A @ 277VAC

Body Features

Actuator Color	White
----------------	-------

Contact Features

Trip Time at 200%	9 – 100 seconds
-------------------	-----------------

Mechanical Attachment



Mounting Options

6-32 Mounting Threads

Dimensions

Product Height

.047 – .11 in

50.8 mm[2 in]

Identification Marking

Stamped Marking Type

International I/O

Product Compliance

[For compliance documentation, visit the product page on TE.com>](#)

EU RoHS Directive 2011/65/EU

Compliant with Exemptions

EU ELV Directive 2000/53/EC

Not Compliant

China RoHS 2 Directive MIIT Order No 32, 2016

Restricted Materials Above Threshold

EU REACH Regulation (EC) No. 1907/2006

Current ECHA Candidate List: JUNE 2023 (235)

Candidate List Declared Against: JUNE 2022 (224)

SVHC > Threshold:

Cadmium oxide (7.95% in Component part)

Article Safe Usage Statements:

Use personal protective equipment as required. Do not eat, drink or smoke when using this product. Recycle if possible and dispose of the article by following all applicable governmental regulations relevant to your geographic location.

Halogen Content

Not Low Halogen - contains Br or Cl > 900 ppm.

Solder Process Capability

Not applicable for solder process capability

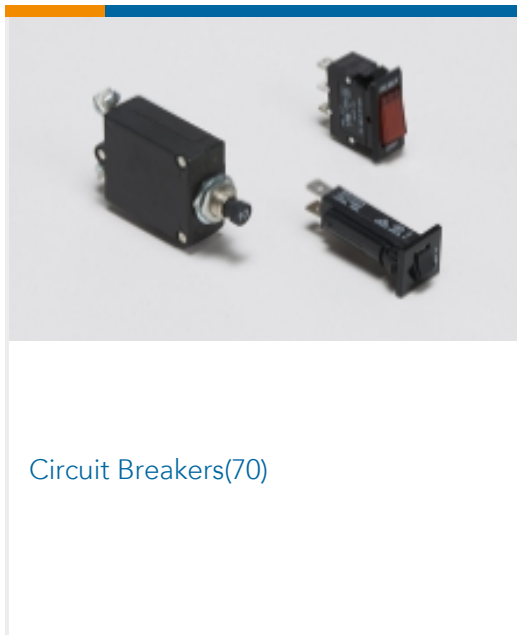
Product Compliance Disclaimer

This information is provided based on reasonable inquiry of our suppliers and represents our current actual knowledge based on the information they provided. This information is subject to change. The part numbers that TE has identified as EU RoHS compliant have a maximum concentration of 0.1% by weight in homogenous materials for lead, hexavalent chromium, mercury, PBB, PBDE, DBP, BBP, DEHP, DIBP, and 0.01% for cadmium, or qualify for an exemption to these limits as defined in the Annexes of Directive 2011/65/EU (RoHS2). Finished electrical and electronic equipment products will be CE marked as required by Directive 2011/65/EU. Components may not be CE marked. Additionally, the part numbers that TE has identified as EU ELV compliant have a maximum concentration of 0.1% by weight in homogenous materials for lead, hexavalent chromium, and mercury, and 0.01% for cadmium, or qualify for an exemption to these limits as defined in the Annexes of Directive 2000/53/EC (ELV). Regarding the REACH Regulation, the information TE provides on SVHC in articles for this part number is based on the latest European Chemicals Agency (ECHA) 'Guidance on requirements for substances in articles' posted at this URL: <https://echa.europa.eu/guidance-documents/guidance-on-reach>

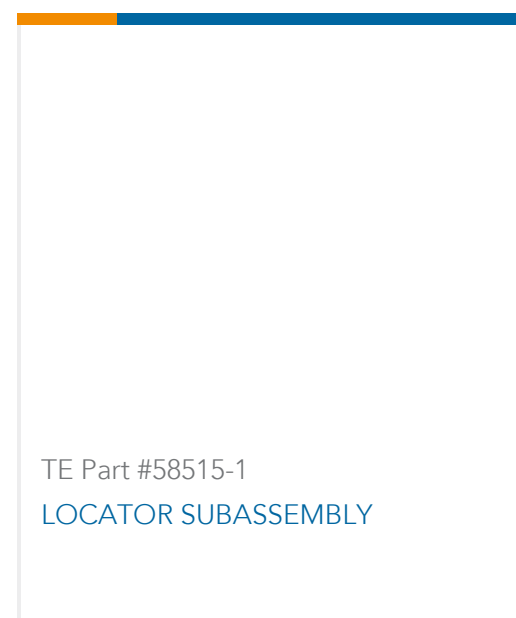
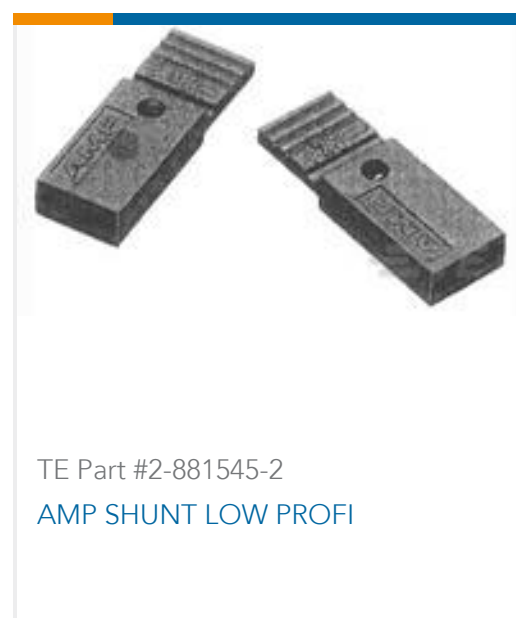
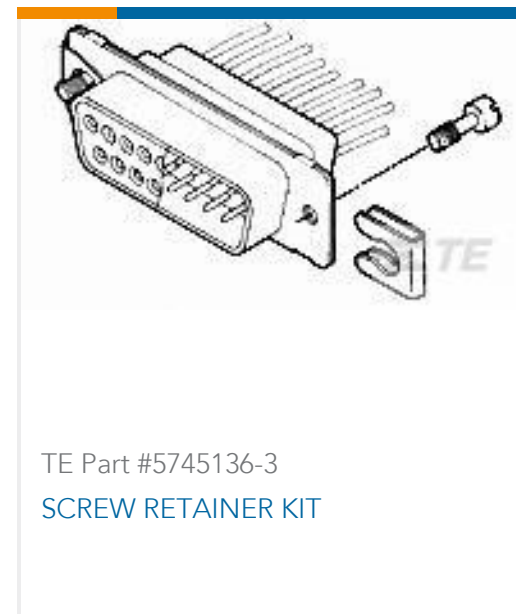
Compatible Parts



Also in the Series | Potter & Brumfield W6



Customers Also Bought



Documents

[CAD Files](#)

[3D PDF](#)

[3D](#)

[Customer View Model](#)

[ENG_CVM_CVM_2-1393253-1_D.2d_dxf.zip](#)

English



Customer View Model

[ENG_CVM_CVM_2-1393253-1_D.3d_igs.zip](#)

English

Customer View Model

[ENG_CVM_CVM_2-1393253-1_D.3d_stp.zip](#)

English

Customer View Model

[ENG_CVM_2-1393253-1_1106.3d_igs.zip](#)

English

Customer View Model

[ENG_CVM_2-1393253-1_1106.3d_stp.zip](#)

English

Customer View Model

[ENG_CVM_2-1393253-1_1106.2d_dxf.zip](#)

English

3D PDF

English

By downloading the CAD file I accept and agree to the [Terms and Conditions](#) of use.

Datasheets & Catalog Pages

[W6/W9 Magnetic Hydraulic Circuit Breaker](#)

English

Agency Approvals

[UL](#)

English