

TE Internal #: 2-1393130-8

Definite Purpose Contactors, 2, 12 VDC Coil Voltage, 25 A, Panel, Screw Terminal, 71 Ω Coil Resistance, 600 VAC Switching Voltage

[View on TE.com >](#)



Relays, Contactors & Switches > Contactors > Definite Purpose Contactors



Pole Configuration: **2**

Definite Purpose Contactor Coil Voltage Rating: **12 VDC**

Definite Purpose Contactor Contact Current Rating: **25 A**

Definite Purpose Contactor Mounting Type: **Panel**

Terminal Configuration: **Screw Terminal**

## Features

### Product Type Features

Product Category	Electromechanical Relays
Product Type	Contactor
Product Classification	Relays - Contactors
Contactor Type	Definite Purpose
Terminal Configuration	Screw Terminal

### Electrical Characteristics

Actuating System	DC
Coil Voltage (Max)	12 VDC
Definite Purpose Contactor Coil Voltage Rating	12 VDC
Definite Purpose Contactor Coil Resistance	71 Ω
Definite Purpose Contactor Contact Switching Voltage (Max)	600 VAC

### Contact Features

Pole Configuration	2
Definite Purpose Contactor Contact Current Rating	25 A

### Mechanical Attachment

Definite Purpose Contactor Mounting Type	Panel
--	-------

## Product Compliance

[For compliance documentation, visit the product page on TE.com>](#)



EU RoHS Directive 2011/65/EU	Compliant
EU ELV Directive 2000/53/EC	Compliant
China RoHS 2 Directive MIIT Order No 32, 2016	No Restricted Materials Above Threshold
EU REACH Regulation (EC) No. 1907/2006	Current ECHA Candidate List: JUNE 2023 (235) Candidate List Declared Against: JUNE 2022 (224) SVHC > Threshold: DBMC (.5% in Component part) <b>Article Safe Usage Statements:</b> Wash thoroughly after handling. Do not handle until all safety precautions have been read and understood. Recycle if possible and dispose of the article by following all applicable governmental regulations relevant to your geographic location.
Halogen Content	Low Halogen - Br, Cl, F, I < 900 ppm per homogenous material. Also BFR/CFR/PVC Free
Solder Process Capability	Not applicable for solder process capability

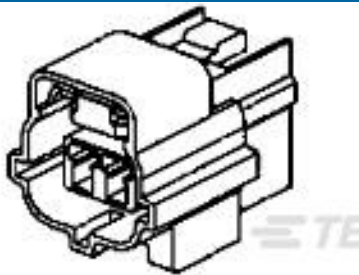
Product Compliance Disclaimer

This information is provided based on reasonable inquiry of our suppliers and represents our current actual knowledge based on the information they provided. This information is subject to change. The part numbers that TE has identified as EU RoHS compliant have a maximum concentration of 0.1% by weight in homogenous materials for lead, hexavalent chromium, mercury, PBB, PBDE, DBP, BBP, DEHP, DIBP, and 0.01% for cadmium, or qualify for an exemption to these limits as defined in the Annexes of Directive 2011/65/EU (RoHS2). Finished electrical and electronic equipment products will be CE marked as required by Directive 2011/65/EU. Components may not be CE marked. Additionally, the part numbers that TE has identified as EU ELV compliant have a maximum concentration of 0.1% by weight in homogenous materials for lead, hexavalent chromium, and mercury, and 0.01% for cadmium, or qualify for an exemption to these limits as defined in the Annexes of Directive 2000/53/EC (ELV). Regarding the REACH Regulation, the information TE provides on SVHC in articles for this part number is based on the latest European Chemicals Agency (ECHA) 'Guidance on requirements for substances in articles' posted at this URL: <https://echa.europa.eu/guidance-documents/guidance-on-reach>

### Compatible Parts



### Customers Also Bought

TE Part #174352-2  
070 ECONOSEAL MARK-2 PLUG 2P



TE Part #6609021-3  
2VB1=F7122 S0



TE Part #6609067-6  
150AYC10B=F7809



TE Part #1546670-7  
7P .437" DR BARRIER,W/BND SCRW



TE Part #4-1393104-3  
KRPA-11DG-12=KRPA



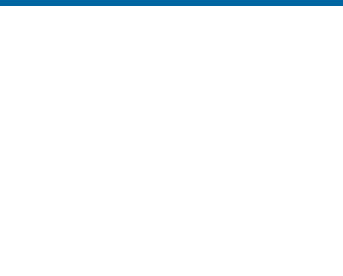
TE Part #8-1393113-4  
KUEP-11A15-240=KU



TE Part #936421-2  
HYBRID 42P PLUG ASSY BLK



TE Part #3-1393122-6  
KHAU-17A13-120=KH



TE Part #GA30K5D106  
PRO2-PROBE

## Documents

### CAD Files

Customer View Model

[ENG\\_CVM\\_2-1393130-8\\_0107.3d\\_igs.zip](#)

English

Customer View Model

[ENG\\_CVM\\_2-1393130-8\\_0107.3d\\_stp.zip](#)

English

Customer View Model

[ENG\\_CVM\\_2-1393130-8\\_0107.2d\\_dxf.zip](#)

English

### 3D PDF

English

By downloading the CAD file I accept and agree to the [Terms and Conditions](#) of use.

### Datasheets & Catalog Pages

[PRD 10 to 50 Amp Heavy Duty AC or DC Power Relay](#)

English

### Product Specifications



## Definitions General Purpose Relays

English