



PIDG

TE Internal #: 2-1377174-1

Splices, Butt Splice, 22 – 16 AWG Wire Size, .326 – 1.31 mm² Wire Size, Standard, .128 in [3.25 mm] Barrel Inside Diameter, PIDG

[View on TE.com >](#)

Terminals & Splices > Splices



Wire Size: .326 – 1.31 mm²

Sealable: No

Splice Features: **Standard**

Compatible Insulation Diameter Range: 3.18 mm [.125 in]

Features

Product Type Features

Splice Accessory Type	Splice
Sealable	No
Splice Type	Butt Splice
Compatible With Discrete Wire Type	Stranded
Wire Insulation Support Retention Type	Insulation Support

Configuration Features

Compatible With Wire & Cable Type	Discrete Wire
-----------------------------------	---------------

Electrical Characteristics

Operating Voltage	600 V
-------------------	-------

Body Features

Insulation Type	Pre-Insulated
Product Weight	1.489 g
Insulation Material	Nylon
Splice Features	Standard
Primary Product Color	Red

Contact Features

Military Part Class	Class I, Class II
Contact Base Material	Copper
Barrel Type	Closed

Termination Features

Termination Method to Wire & Cable	Crimp
------------------------------------	-------

Mechanical Attachment

Wire Insulation Support	Without
-------------------------	---------

Dimensions

Wire Size	509 – 3260 CMA
Compatible Insulation Diameter Range	3.18 mm[.125 in]
Barrel Inside Diameter	3.25 mm[.128 in]
Product Length	32.13 mm[1.265 in]

Usage Conditions

Insulation Option	Fully Insulated
Operating Temperature Range	105 °C[221 °F]

Operation/Application

Compatible With Wire Base Material	Copper
------------------------------------	--------

Industry Standards

Government Qualified Splice	Yes
-----------------------------	-----

Packaging Features

Packaging Quantity	100
Packaging Method	Loose Piece

Other

Terminals & Splices Comment	Marking: Commercial 22-16- Military 22-18 in accordance with MIL-T-7928., Small packaging of 320559.
-----------------------------	--

Product Compliance

[For compliance documentation, visit the product page on TE.com>](#)

EU RoHS Directive 2011/65/EU	Compliant
EU ELV Directive 2000/53/EC	Compliant



China RoHS 2 Directive MIIT Order No 32, 2016	No Restricted Materials Above Threshold
EU REACH Regulation (EC) No. 1907/2006	Current ECHA Candidate List: JUNE 2023 (235) Candidate List Declared Against: JAN 2022 (223) Does not contain REACH SVHC
Halogen Content	Low Halogen - Br, Cl, F, I < 900 ppm per homogenous material. Also BFR/CFR/PVC Free
Solder Process Capability	Not applicable for solder process capability

Product Compliance Disclaimer

This information is provided based on reasonable inquiry of our suppliers and represents our current actual knowledge based on the information they provided. This information is subject to change. The part numbers that TE has identified as EU RoHS compliant have a maximum concentration of 0.1% by weight in homogenous materials for lead, hexavalent chromium, mercury, PBB, PBDE, DBP, BBP, DEHP, DIBP, and 0.01% for cadmium, or qualify for an exemption to these limits as defined in the Annexes of Directive 2011/65/EU (RoHS2). Finished electrical and electronic equipment products will be CE marked as required by Directive 2011/65/EU. Components may not be CE marked. Additionally, the part numbers that TE has identified as EU ELV compliant have a maximum concentration of 0.1% by weight in homogenous materials for lead, hexavalent chromium, and mercury, and 0.01% for cadmium, or qualify for an exemption to these limits as defined in the Annexes of Directive 2000/53/EC (ELV). Regarding the REACH Regulation, the information TE provides on SVHC in articles for this part number is based on the latest European Chemicals Agency (ECHA) 'Guidance on requirements for substances in articles' posted at this URL: <https://echa.europa.eu/guidance-documents/guidance-on-reach>

Compatible Parts




TE Part # 320559
PIDG SPLICE 22-16COMM 22-18MIL

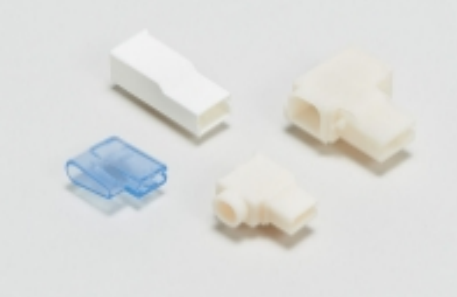


TE Part # 1SET141014R0000
SP015-N

Also in the Series | PIDG




Compression Connectors(17)



Crimp Terminal Housings(1)



Crimp Wire Pins, Tabs & Ferrules(41)



Hand Crimping Tools(2)



Knife Disconnects(11)



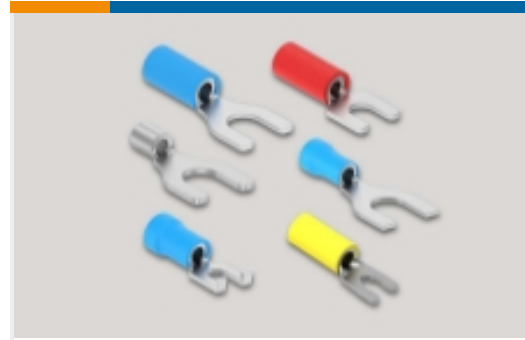
PCB Terminals(7)



Quick Disconnects(49)



Ring Terminals(611)



Spade Terminals(233)



Special Purpose Terminals(1)

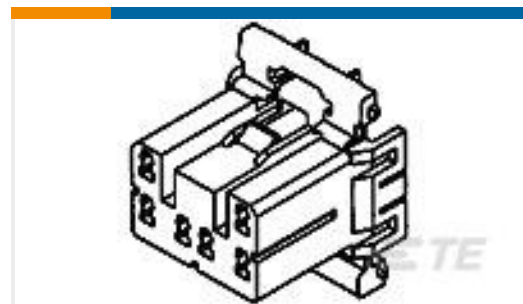


Splices(46)

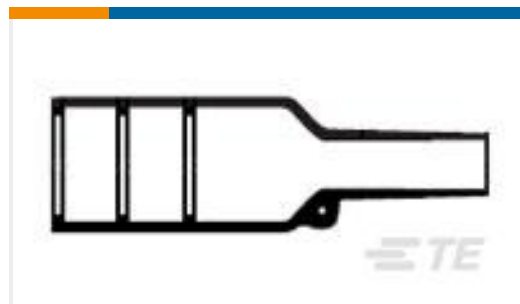
Customers Also Bought



TE Part #321233
TERMINAL,PIDG SPD 16-14 8



TE Part #173851-1
070 MULTILOCK PLUG 12P



TE Part #878086-000
202K163-3/42-0



TE Part #T4171030012-001
M12 Panel Mount Wire



TE Part #890036-000
S1009-KIT-A



TE Part #1618002-7
EV200AAANA=RELAY, EV200 SPST-N



TE Part #171508-1
PIDG RING UL 22-16



TE Part #323994
SPLICE BUTT PIDG 26-24



TE Part #1-1879075-5
THS25 2R0 5%

Documents



Product Drawings

[SMP 0-0320559-0](#)

English

CAD Files

[3D PDF](#)

3D

Customer View Model

[ENG_CVM_CVM_2-1377174-1_C1.2d_dxf.zip](#)

English

Customer View Model

[ENG_CVM_CVM_2-1377174-1_C1.3d_igs.zip](#)

English

Customer View Model

[ENG_CVM_CVM_2-1377174-1_C1.3d_stp.zip](#)

English

By downloading the CAD file I accept and agree to the [Terms and Conditions](#) of use.

Datasheets & Catalog Pages

[RADIATION_RESISTANT_PRE-INSULATED_TERMINALS_SPLICES](#)

English

Product Specifications

[Application Specification](#)

English