



Product Compliance

[For compliance documentation, visit the product page on TE.com>](#)

EU RoHS Directive 2011/65/EU	Compliant
EU ELV Directive 2000/53/EC	Compliant
China RoHS 2 Directive MIIT Order No 32, 2016	No Restricted Materials Above Threshold
EU REACH Regulation (EC) No. 1907/2006	Current ECHA Candidate List: JUNE 2023 (235) Candidate List Declared Against: JUNE 2022 (224) Does not contain REACH SVHC
Halogen Content	Not Yet Reviewed for halogen content
Solder Process Capability	Not applicable for solder process capability

Product Compliance Disclaimer

This information is provided based on reasonable inquiry of our suppliers and represents our current actual knowledge based on the information they provided. This information is subject to change. The part numbers that TE has identified as EU RoHS compliant have a maximum concentration of 0.1% by weight in homogenous materials for lead, hexavalent chromium, mercury, PBB, PBDE, DBP, BBP, DEHP, DIBP, and 0.01% for cadmium, or qualify for an exemption to these limits as defined in the Annexes of Directive 2011/65/EU (RoHS2). Finished electrical and electronic equipment products will be CE marked as required by Directive 2011/65/EU. Components may not be CE marked. Additionally, the part numbers that TE has identified as EU ELV compliant have a maximum concentration of 0.1% by weight in homogenous materials for lead, hexavalent chromium, and mercury, and 0.01% for cadmium, or qualify for an exemption to these limits as defined in the Annexes of Directive 2000/53/EC (ELV). Regarding the REACH Regulation, the information TE provides on SVHC in articles for this part number is based on the latest European Chemicals Agency (ECHA) 'Guidance on requirements for substances in articles' posted at this URL: <https://echa.europa.eu/guidance-documents/guidance-on-reach>

Also in the Series | HDC HSB



Insertion & Extraction Tools(2)



Rectangular Contact Inserts(8)

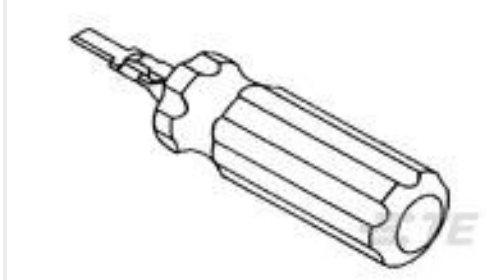
Customers Also Bought



TE Part #1-160304-8
250 FASTON,REC.,14-17AWG,TPPHBZ




TE Part #165565-2
2,8 PIDG FASTON REC



TE Part #1102855-5
AWZG-HSS-RSZ



TE Part #2-1103640-3
HE.24.STI.C



TE Part #3042610142
Speed sen DSE 1810.38 PHZ
HZTL222755 R1



TE Part #3512606867
voltage I HZTL446144R0001



TE Part #2-1104012-3
HVT.35.STI.C



TE Part #2-1102626-5
HIP-K.24/64.AG.M6



TE Part #2-1104202-3
HSS.8.BU.C



TE Part #2-1105151-1
HSS-C-Bu.Ag.4,0 qmm

Documents

CAD Files

3D PDF

3D

Customer View Model

[ENG_CVM_CVM_2-1103641-3_E_c-2-1103641-3-e.2d_dxf.zip](#)

English

Customer View Model

[ENG_CVM_CVM_2-1103641-3_E_c-2-1103641-3-e.3d_igs.zip](#)

English

Customer View Model

[ENG_CVM_CVM_2-1103641-3_E_c-2-1103641-3-e.3d_stp.zip](#)

English

By downloading the CAD file I accept and agree to the [Terms and Conditions](#) of use.

Agency Approvals

[Agency Approval Document](#)

English

