



Product Compliance

[For compliance documentation, visit the product page on TE.com>](#)

EU RoHS Directive 2011/65/EU	Compliant with Exemptions
EU ELV Directive 2000/53/EC	Compliant with Exemptions
China RoHS 2 Directive MIIT Order No 32, 2016	Restricted Materials Above Threshold
EU REACH Regulation (EC) No. 1907/2006	<p>Current ECHA Candidate List: JUNE 2023 (235) Candidate List Declared Against: JUL 2021 (219) SVHC > Threshold: Pb (2% in Component)</p> <p>Article Safe Usage Statements: Do not eat, drink or smoke when using this product. Wash thoroughly after handling. Recycle if possible and dispose of the article by following all applicable governmental regulations relevant to your geographic location.</p>
Halogen Content	Not Low Halogen - contains Br or Cl > 900 ppm.
Solder Process Capability	Not applicable for solder process capability

Product Compliance Disclaimer

This information is provided based on reasonable inquiry of our suppliers and represents our current actual knowledge based on the information they provided. This information is subject to change. The part numbers that TE has identified as EU RoHS compliant have a maximum concentration of 0.1% by weight in homogenous materials for lead, hexavalent chromium, mercury, PBB, PBDE, DBP, BBP, DEHP, DIBP, and 0.01% for cadmium, or qualify for an exemption to these limits as defined in the Annexes of Directive 2011/65/EU (RoHS2). Finished electrical and electronic equipment products will be CE marked as required by Directive 2011/65/EU. Components may not be CE marked. Additionally, the part numbers that TE has identified as EU ELV compliant have a maximum concentration of 0.1% by weight in homogenous materials for lead, hexavalent chromium, and mercury, and 0.01% for cadmium, or qualify for an exemption to these limits as defined in the Annexes of Directive 2000/53/EC (ELV). Regarding the REACH Regulation, the information TE provides on SVHC in articles for this part number is based on the latest European Chemicals Agency (ECHA) 'Guidance on requirements for substances in articles' posted at this URL: <https://echa.europa.eu/guidance-documents/guidance-on-reach>

Also in the Series | [HDC HDD](#)



Connector Contacts(24)

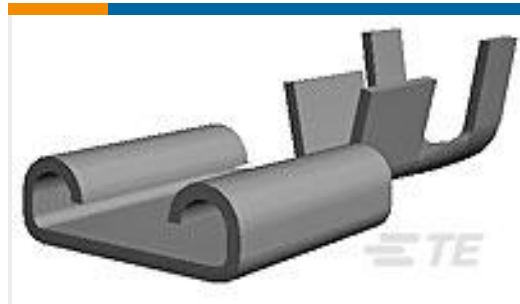


Rectangular Contact Inserts(15)

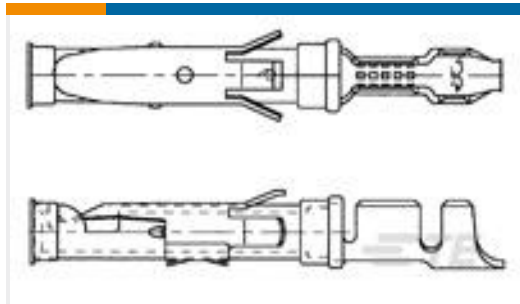
Customers Also Bought



TE Part #181953-1
250 FASTON,TAB,BR



TE Part #2-160304-4
250 FASTON,REC.,14-17AWG,PNIPST



TE Part #163083-7
.062 DIA SOC.ASS 3+



TE Part #2-1105301-2
HVT-C-Bu.Au.0,75-1,0 qmm



TE Part #2-1102618-5
HIP-K.16/40.AG.M6



TE Part #2-1102647-5
HIP-K.10/24.AG



TE Part #2-1102261-6
HB-K.10.STS.1.16.G



TE Part #1-1103634-1
HE.6.STI.S



TE Part #2-1102267-6
HB-K.10.STO.1.16.G



TE Part #2-1102240-3
HBK/Z.6.STSZB.1.16G

Documents

Product Drawings

HN.D.7.BU.C. 250 V

English

CAD Files

3D PDF

3D

Customer View Model

ENG_CVM_CVM_2-1103101-3_A_c-2-1103101-3-a.2d_dxf.zip



English

Customer View Model

[ENG_CVM_CVM_2-1103101-3_A_c-2-1103101-3-a.3d_igs.zip](#)

English

Customer View Model

[ENG_CVM_CVM_2-1103101-3_A_c-2-1103101-3-a.3d_stp.zip](#)

English

By downloading the CAD file I accept and agree to the [Terms and Conditions](#) of use.