

1SNK906304R0000 ✓ ACTIVE

ENTRELEC | ENTRELEC SNK

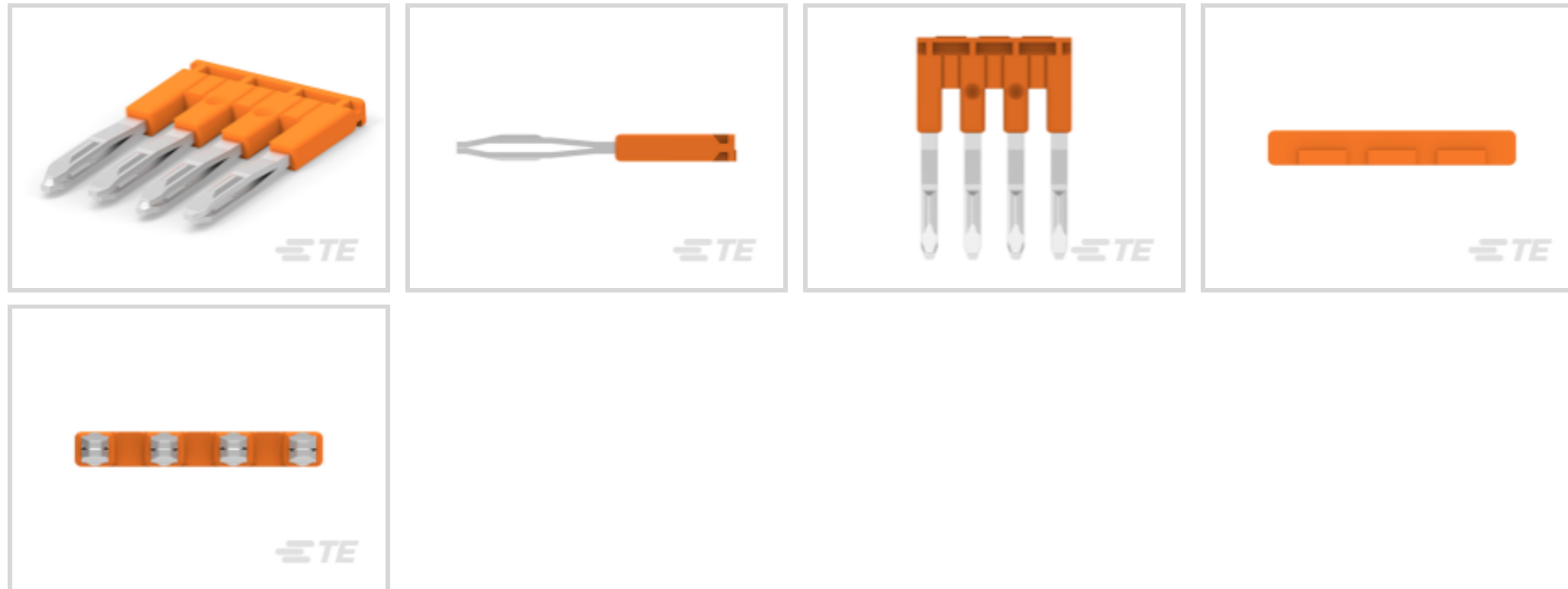
TE Internal #: 1SNK906304R0000

Terminal Block & Strip Conducting Accessories, Jumper Bar, 4 Pole, Orange, Product Spacing .236 in [6 mm], -67 – 230 °F [-55 – 110 °C], ENTRELEC SNK

[View on TE.com >](#)



Connectors > Terminal Blocks & Strips > Terminal Block & Strip Accessories > Terminal Block & Strip Conducting Accessories



Conducting Accessory Type: **Jumper Bar**

Number of Poles: **4**

PCB Mount Retention Type: **Screwless**

Primary Product Color: **Orange**

Product Spacing: **6 mm [.236 in]**

Features

Product Type Features

Conducting Accessory Type	Jumper Bar
---------------------------	------------

Configuration Features

Number of Poles	4
-----------------	---

Electrical Characteristics

Operating Voltage Rating (UL & CSA) (Max) - Main Circuit	600 V
Impulse Withstanding Voltage Rating (IEC)	8000 V
Voltage Rating (CSA)	600 V
Current Rating (CSA)	30 A
Short-Time Withstanding Current Rating @ 1s	720 A
Power Loss	1.3 W
Dielectric Withstanding Voltage (Max)	2200 V
Voltage Rating (IEC)	1000 V
Current Rating (UL)	30 A
Current Rating (IEC)	41 A



Body Features

Plastic & Resin Material Type	Polyamide
Product Weight	2.9 g [.102 oz]
Primary Product Color	Orange

Contact Features

Contact Current Rating (Max)	41 A
------------------------------	------

Mechanical Attachment

PCB Mount Retention Type	Screwless
--------------------------	-----------

Dimensions

Product Depth	26.8 mm [1.055 in]
Product Width	6 mm [.236 in]
Product Height	21 mm [.827 in]
Product Spacing	6 mm [.236 in]

Usage Conditions

Installation Temperature Range	-5 – 40 °C [23 – 104 °F]
Operating Temperature Range	-55 – 110 °C [-67 – 230 °F]

Industry Standards

IP Rating	IP20
-----------	------

Product Compliance

[For compliance documentation, visit the product page on TE.com>](#)

EU RoHS Directive 2011/65/EU	Compliant
EU ELV Directive 2000/53/EC	Compliant
China RoHS 2 Directive MIIT Order No 32, 2016	No Restricted Materials Above Threshold
EU REACH Regulation (EC) No. 1907/2006	Current ECHA Candidate List: JUNE 2023 (235) Candidate List Declared Against: JUNE 2023 (235) Does not contain REACH SVHC
Halogen Content	Low Halogen - Br, Cl, F, I < 900 ppm per homogenous material. Also BFR/CFR/PVC Free
Solder Process Capability	Not reviewed for solder process capability

Product Compliance Disclaimer

This information is provided based on reasonable inquiry of our suppliers and represents our current actual knowledge based on the information they provided. This information is subject to change. The part numbers that TE has identified as EU RoHS compliant have a maximum concentration of 0.1% by weight in homogenous materials for lead, hexavalent chromium, mercury, PBB, PBDE, DBP, BBP, DEHP, DIBP, and 0.01% for cadmium, or qualify for an exemption to these limits as defined in the Annexes of Directive 2011/65/EU (RoHS2). Finished electrical and electronic equipment products will be CE marked as required by Directive 2011/65/EU. Components may not be CE marked. Additionally, the part numbers that TE has identified as EU ELV compliant have a maximum concentration of 0.1% by weight in homogenous materials for lead, hexavalent chromium, and mercury, and 0.01% for cadmium, or qualify for an exemption to these limits as defined in the Annexes of Directive 2000/53/EC (ELV). Regarding the REACH Regulation, the information TE provides on SVHC in articles for this part number is based on the latest European Chemicals Agency (ECHA) 'Guidance on requirements for substances in articles' posted at this URL: <https://echa.europa.eu/guidance-documents/guidance-on-reach>

Compatible Parts





TE Part # 1SNK506064R0000
ZS6-BR



TE Part # 1SNK506065R0000
ZS6-WH



TE Part # 1SNK506066R0000
ZS6-BK

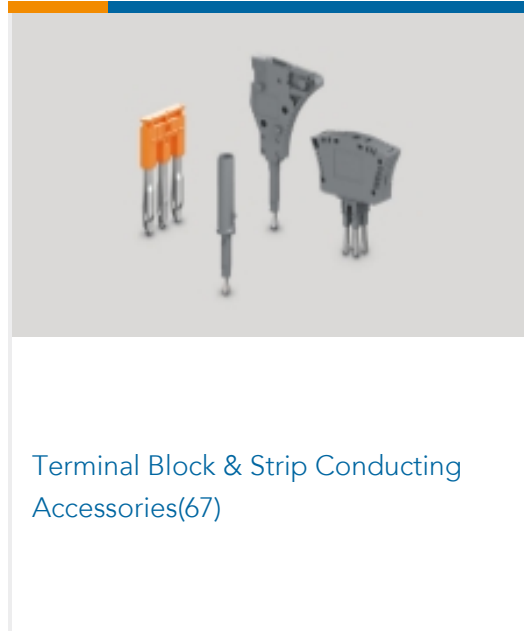


TE Part # 1SNK506067R0000
ZS6-3S-YL

Also in the Series | ENTRELEC SNK



Modular Terminal Blocks(320)



Terminal Block & Strip Conducting Accessories(67)



Terminal Block & Strip Insulating Accessories(31)

Customers Also Bought



TE Part #1SNK908303R0000
JB8-3



TE Part #1SNA206680R1500
AJS9-BK



TE Part #1SNA206720R1400
AJS9-RD



TE Part #1SNK150000R0000
MC612



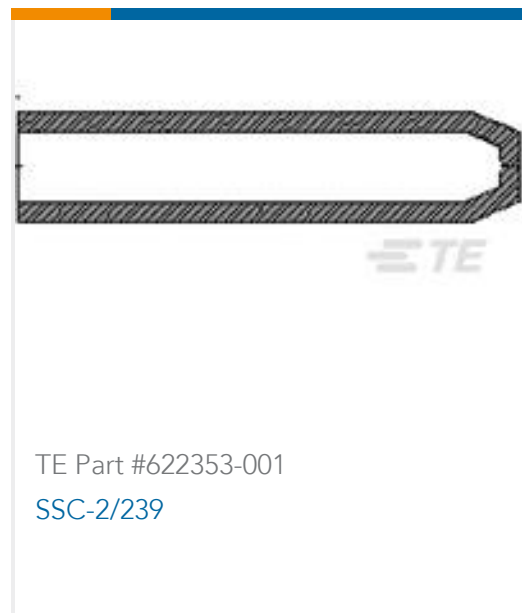
TE Part #1SNK906310R0000
JB6-10



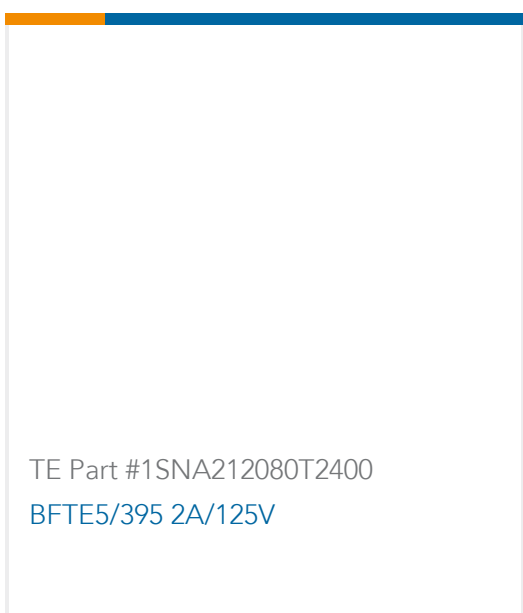
TE Part #1SNK908903R0000
JB8-3-R1



TE Part #1SNK908910R0000
JB8-10-R1



TE Part #622353-001
SSC-2/239



TE Part #1SNA212080T2400
BFTE5/395 2A/125V



Documents

CAD Files

3D PDF

3D

Customer View Model

[ENG_CVM_CVM_1SNK906304R0000_A.2d_dxf.zip](#)

English

Customer View Model

[ENG_CVM_CVM_1SNK906304R0000_A.3d_igs.zip](#)

English

Customer View Model

[ENG_CVM_CVM_1SNK906304R0000_A.3d_stp.zip](#)

English

By downloading the CAD file I accept and agree to the [Terms and Conditions](#) of use.

Datasheets & Catalog Pages

[ENTRELEC Terminal Block - Master Catalog](#)

[ENTRELEC Terminal Block - Master Catalog](#)

English

JB6-4

English

[SNK SERIES TERMINAL BLOCKS](#)

English

[ENTRELEC Terminal Blocks Catalogue \(RUS\)](#)

Product Environmental Compliance

[Product Compliance Document](#)

English

[Product Compliance Document](#)

English