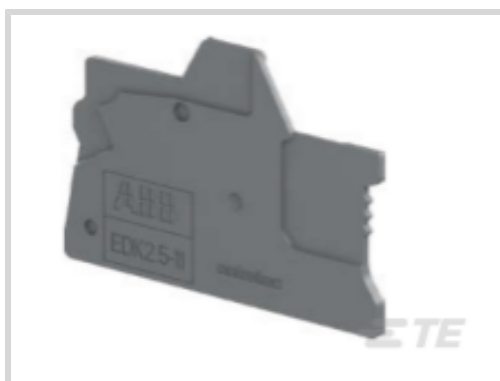


1SNK805915R0000 ✓ ACTIVE

TE Internal #: 1SNK805915R0000

TE Internal Description: EDK2.5-11

[View on TE.com >](#)



Product Compliance

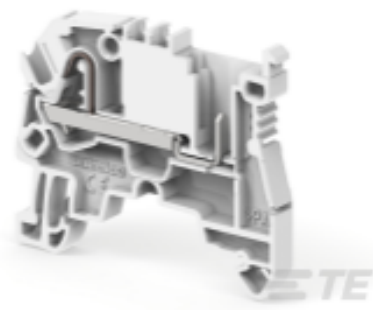
[For compliance documentation, visit the product page on TE.com>](#)

EU RoHS Directive 2011/65/EU	Compliant
EU ELV Directive 2000/53/EC	Compliant
China RoHS 2 Directive MIIT Order No 32, 2016	No Restricted Materials Above Threshold
EU REACH Regulation (EC) No. 1907/2006	Current ECHA Candidate List: JUNE 2023 (235) Candidate List Declared Against: JUNE 2023 (235) Does not contain REACH SVHC
Halogen Content	Low Halogen - Br, Cl, F, I < 900 ppm per homogenous material. Also BFR/CFR/PVC Free
Solder Process Capability	Not reviewed for solder process capability

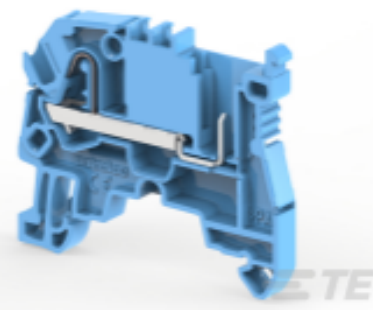
Product Compliance Disclaimer

This information is provided based on reasonable inquiry of our suppliers and represents our current actual knowledge based on the information they provided. This information is subject to change. The part numbers that TE has identified as EU RoHS compliant have a maximum concentration of 0.1% by weight in homogenous materials for lead, hexavalent chromium, mercury, PBB, PBDE, DBP, BBP, DEHP, DIBP, and 0.01% for cadmium, or qualify for an exemption to these limits as defined in the Annexes of Directive 2011/65/EU (RoHS2). Finished electrical and electronic equipment products will be CE marked as required by Directive 2011/65/EU. Components may not be CE marked. Additionally, the part numbers that TE has identified as EU ELV compliant have a maximum concentration of 0.1% by weight in homogenous materials for lead, hexavalent chromium, and mercury, and 0.01% for cadmium, or qualify for an exemption to these limits as defined in the Annexes of Directive 2000/53/EC (ELV). Regarding the REACH Regulation, the information TE provides on SVHC in articles for this part number is based on the latest European Chemicals Agency (ECHA) 'Guidance on requirements for substances in articles' posted at this URL: <https://echa.europa.eu/guidance-documents/guidance-on-reach>

Compatible Parts



TE Part # 1SNK805015R0000
ZDK2.5-11



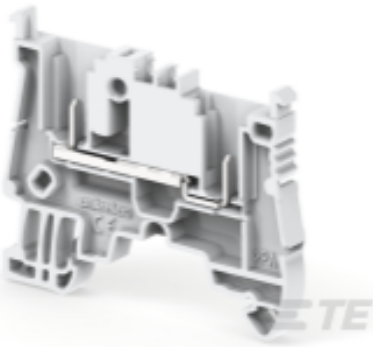
TE Part # 1SNK805025R0000
ZDK2.5-11-BL



TE Part # 1SNK805150R0000
ZDK2.5-11-PE



TE Part # 1SNK805018R0000
ZDK2.5-11-D3000



TE Part # 1SNK805016R0000
ZD2.5-11

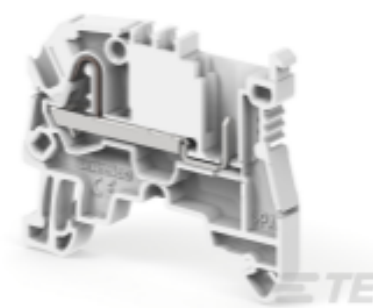
Customers Also Bought



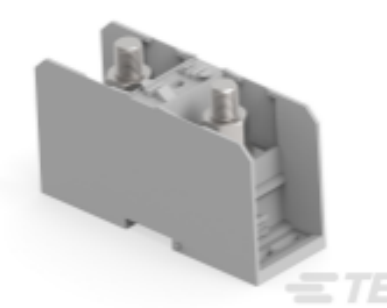
TE Part #1SNK505010R0000
ZS4



TE Part #1SNK510010R0000
ZS16



TE Part #1SNK805015R0000
ZDK2.5-11



TE Part #1SNA190005R2400
D300/55.FF



TE Part #1SNK506150R0000
ZS6-PE



TE Part #1SNK508423R0000
ZS4-D2-SF1-R1

TE Part #1SNK805713R0000
CDK2.5-E



TE Part #1SNL312510R0000
DBL125

Documents

CAD Files

Customer View Model

[ENG_CVM_CVM_1SNK805915R0000_A.2d_dxf.zip](#)

English

Customer View Model

[ENG_CVM_CVM_1SNK805915R0000_A.3d_stp.zip](#)

English

Customer View Model

[ENG_CVM_CVM_1SNK805915R0000_A.3d_igs.zip](#)



English

[3D PDF](#)

3D

By downloading the CAD file I accept and agree to the [Terms and Conditions](#) of use.

Datasheets & Catalog Pages

[ENTRELEC Terminal Block - Master Catalog](#)

[ENTRELEC Terminal Block - Master Catalog](#)

English

[SNK SERIES TERMINAL BLOCKS](#)

English

[Essential Entrelec Terminal Blocks](#)

French

[Essential Entrelec Terminal Blocks](#)

English

[Essential Entrelec Terminal Blocks](#)

Japanese

Product Environmental Compliance

[Product Compliance](#)

English

[Product Compliance](#)

English