

1SNK516170R0000 ✓ ACTIVE

ENTRELEC | ENTRELEC SNK

TE Internal #: 1SNK516170R0000

Modular Terminal Blocks, Ground & Neutral, Screw Clamp Terminal Block, Green & Yellow, Product Spacing 1.26 in [32 mm], 4 Position, ENTRELEC SNK

[View on TE.com >](#)



Connectors > Terminal Blocks & Strips > Modular Terminal Blocks



Block Function: **Ground & Neutral**

Modular Terminal Block Product Type: **Screw Clamp Terminal Block**

Primary Product Color: **Green & Yellow**

Product Spacing: **32 mm [1.26 in]**

Number of Positions: **4**

Features

Product Type Features

Modular Terminal Block Product Type	Screw Clamp Terminal Block
-------------------------------------	----------------------------

Configuration Features

Gauge Type	A9
Number of Levels	1
Number of Circuits	1
Block Function	Ground & Neutral
Number of Positions	4

Electrical Characteristics

Impulse Withstanding Voltage Rating (IEC)	8000 V
Dielectric Withstanding Voltage (Max)	2200 V
Short-Time Withstanding Current Rating @ 1s	4200 A

Body Features

Product Weight	236 g[9.291 oz]
Primary Product Color	Green & Yellow

Mechanical Attachment

DIN Rail Mounting Type	TH35-15, TH35-7.5
Connector Mounting Type	DIN Rail

Housing Features

Housing Material	Polyamide
------------------	-----------

Dimensions

Main Circuit Capacity - 1 Rigid Stranded Conductor per Screw Clamp	6 – 35 mm ²
Main Circuit Capacity - 1 Flexible Conductor per Screw Clamp	6 – 35 mm ²
Wire Stripping Length	17 mm[.669 in]
Main Circuit Capacity - 1 Insulated Ferrule per Screw Clamp	6 – 35 mm ²
Main Circuit Capacity - 1 Non-Insulated Ferrule per Screw Clamp	6 – 35 mm ²
Tool Size	6.5 mm[.256 in]
Product Depth	58 mm
Product Length	58 mm[2.28 in]
Product Height	59 mm
Product Spacing	32 mm[1.26 in]

Usage Conditions

Installation Temperature Range	-5 – 40 °C[23 – 104 °F]
Operating Temperature Range	-55 – 110 °C[-67 – 230 °F]

Industry Standards

IP Rating	IP10
UL Flammability Rating	UL 94V-0

Product Compliance

[For compliance documentation, visit the product page on TE.com>](#)

EU RoHS Directive 2011/65/EU	Compliant
EU ELV Directive 2000/53/EC	Compliant
China RoHS 2 Directive MIIT Order No 32, 2016	No Restricted Materials Above Threshold
EU REACH Regulation (EC) No. 1907/2006	Current ECHA Candidate List: JUNE 2023 (235) Candidate List Declared Against: JAN 2021 (211) Does not contain REACH SVHC
Halogen Content	Not Yet Reviewed for halogen content
Solder Process Capability	Not reviewed for solder process capability

Product Compliance Disclaimer

This information is provided based on reasonable inquiry of our suppliers and represents our current actual knowledge based on the information they provided. This information is subject to change. The part numbers that TE has identified as EU RoHS compliant have a maximum concentration of 0.1% by weight in homogenous materials for lead, hexavalent chromium, mercury, PBB, PBDE, DBP, BBP, DEHP, DIBP, and 0.01% for cadmium, or qualify for an exemption to these limits as defined in the Annexes of Directive 2011/65/EU (RoHS2). Finished electrical and electronic equipment products will be CE marked as required by Directive 2011/65/EU. Components may not be CE marked. Additionally, the part numbers that TE has identified as EU ELV compliant have a maximum concentration of 0.1% by weight in homogenous materials for lead, hexavalent chromium, and mercury, and 0.01% for cadmium, or qualify for an exemption to these limits as defined in the Annexes of Directive 2000/53/EC (ELV). Regarding the REACH Regulation, the information TE provides on SVHC in articles for this part number is based on the latest European Chemicals Agency (ECHA) 'Guidance on requirements for substances in articles' posted at this URL: <https://echa.europa.eu/guidance-documents/guidance-on-reach>

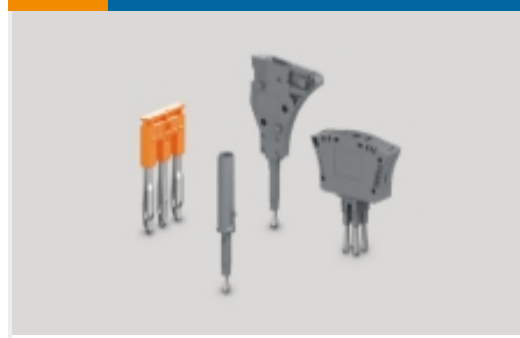
Compatible Parts



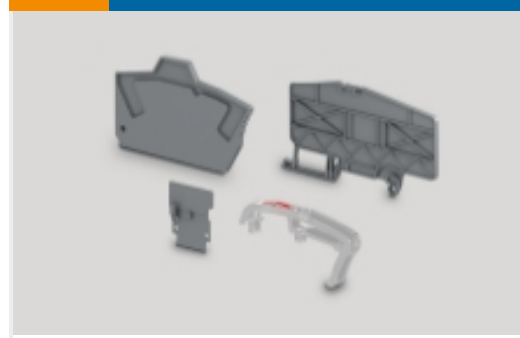
Also in the Series | ENTRELEC SNK



Modular Terminal Blocks(320)



Terminal Block & Strip Conducting Accessories(67)



Terminal Block & Strip Insulating Accessories(31)

Customers Also Bought



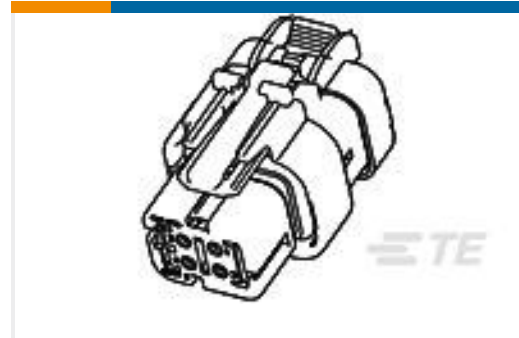
TE Part #5499160-8
A/L UNIV HDR 34P VERT SHT LAT



TE Part #DTM04-2P-P007
DEUTSCH DTM Housings



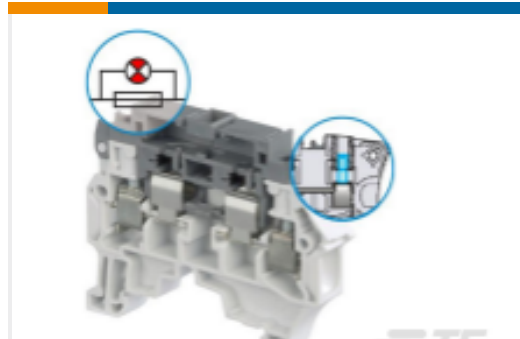
TE Part #DT06-12SB-C015
PLG, 12P, BLK, E, B



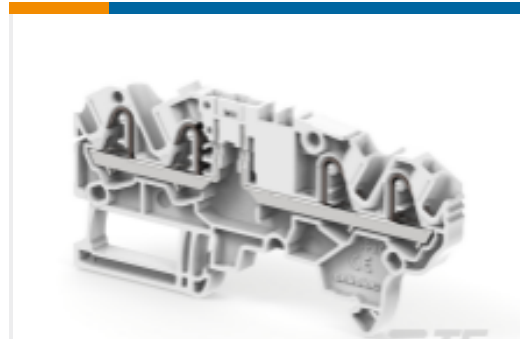
TE Part #776487-1
AS 16, 4P PLUG ASSY, KEY 1



TE Part #1SNK506313R0000
ZS4-SP-R1



TE Part #1SNK508415R0000
ZS4-SF1-R4



TE Part #1SNK705313R0000
ZK2.5-SP-4P



TE Part #1SNK706151R0000
ZK4-PE-3P



TE Part #1SNK710020R0000
ZK10-BL

Documents

[CAD Files](#)

[3D PDF](#)

[3D](#)

[Customer View Model](#)

[ENG_CVM_CVM_1SNK516170R0000_A1.2d_dxf.zip](#)

[English](#)

[Customer View Model](#)

1SNK516170R0000

Modular Terminal Blocks, Ground & Neutral, Screw Clamp Terminal Block, Green & Yellow, Product Spacing 1.26 in [32 mm], 4 Position, ENTRELEC SNK



[ENG_CVM_CVM_1SNK516170R0000_A1.3d_igs.zip](#)

English

Customer View Model

[ENG_CVM_CVM_1SNK516170R0000_A1.3d_stp.zip](#)

English

By downloading the CAD file I accept and agree to the [Terms and Conditions](#) of use.

Datasheets & Catalog Pages

[ENTRELEC Terminal Block - Master Catalog](#)

[ENTRELEC Terminal Block - Master Catalog](#)

English

[ZS35-PEN](#)

English

[SNK SERIES TERMINAL BLOCKS](#)

English

[ENTRELEC Terminal Blocks Catalogue \(RUS\)](#)