

1SNK147062R0000 ✓ ACTIVE

ENTRELEC

TE Internal #: 1SNK147062R0000

Terminal Block & Strip Marking Accessories, Marker Card, 6 (x100)

Mark Details, White, Vertical, -55 – 110 °C [-67 – 230 °F], UL 94V-2

[View on TE.com >](#)



Connectors > Terminal Blocks & Strips > Terminal Block & Strip Accessories > Terminal Block & Strip Marking Accessories



Marking Product Type: **Marker Card**

Pre-Printed Mark Details: **6 (x100)**

Primary Product Color: **White**

Product Orientation: **Vertical**

Operating Temperature Range: **-55 – 110 °C [-67 – 230 °F]**

## Features

### Product Type Features

|                      |             |
|----------------------|-------------|
| Marking Product Type | Marker Card |
|----------------------|-------------|

### Configuration Features

|  |          |
|--|----------|
| Number of Cards per Package              | 1        |
| Number of Digits per Marker - Horizontal | 3        |
| Number of Digits per Marker - Vertical   | 8        |
| Pre-Printed Mark Details                 | 6 (x100) |

### Body Features

|                          |               |
|--------------------------|---------------|
| Product Weight           | 10 g[.353 oz] |
| Primary Product Material | Polyamide     |
| Primary Product Color    | White         |
| Product Orientation      | Vertical      |

### Dimensions

|                |                 |
|----------------|-----------------|
| Product Depth  | 4.8 mm          |
| Product Width  | 5.2 mm[.205 in] |
| Product Length | 5 mm[.197 in]   |
| Product Height | 12 mm[.472 in]  |

### Usage Conditions

|                             |                            |
|-----------------------------|----------------------------|
| Operating Temperature Range | -55 – 110 °C[-67 – 230 °F] |
|-----------------------------|----------------------------|



### Industry Standards

|                        |          |
|------------------------|----------|
| UL Flammability Rating | UL 94V-2 |
|------------------------|----------|

### Product Compliance

[For compliance documentation, visit the product page on TE.com>](#)

|   |   |
|---|---|
| EU RoHS Directive 2011/65/EU                  | Compliant   |
| EU ELV Directive 2000/53/EC                   | Compliant   |
| China RoHS 2 Directive MIIT Order No 32, 2016 | No Restricted Materials Above Threshold   |
| EU REACH Regulation (EC) No. 1907/2006        | Current ECHA Candidate List: JUNE 2023 (235)<br>Candidate List Declared Against: JUNE 2023 (235)<br>Does not contain REACH SVHC |
| Halogen Content                               | Low Halogen - Br, Cl, F, I < 900 ppm per homogenous material. Also BFR/CFR/PVC Free   |
| Solder Process Capability                     | Not reviewed for solder process capability  |

#### Product Compliance Disclaimer

This information is provided based on reasonable inquiry of our suppliers and represents our current actual knowledge based on the information they provided. This information is subject to change. The part numbers that TE has identified as EU RoHS compliant have a maximum concentration of 0.1% by weight in homogenous materials for lead, hexavalent chromium, mercury, PBB, PBDE, DBP, BBP, DEHP, DIBP, and 0.01% for cadmium, or qualify for an exemption to these limits as defined in the Annexes of Directive 2011/65/EU (RoHS2). Finished electrical and electronic equipment products will be CE marked as required by Directive 2011/65/EU. Components may not be CE marked. Additionally, the part numbers that TE has identified as EU ELV compliant have a maximum concentration of 0.1% by weight in homogenous materials for lead, hexavalent chromium, and mercury, and 0.01% for cadmium, or qualify for an exemption to these limits as defined in the Annexes of Directive 2000/53/EC (ELV). Regarding the REACH Regulation, the information TE provides on SVHC in articles for this part number is based on the latest European Chemicals Agency (ECHA) 'Guidance on requirements for substances in articles' posted at this URL: <https://echa.europa.eu/guidance-documents/guidance-on-reach>

### Compatible Parts



### Customers Also Bought



TE Part #1-222246-0  
CONTACT, PLUG, COML BNC PLATED



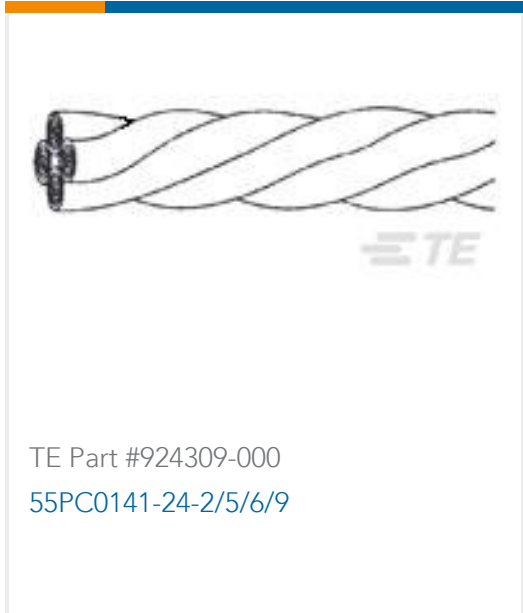
TE Part #1532177-1  
M83513/04-G01N, MCKS-N1-B-51S6G1-18.0



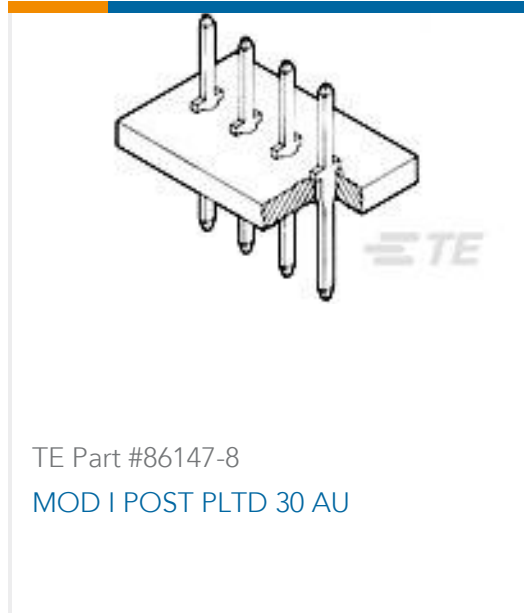
TE Part #2844982-1  
CCII TYPE VI MLTIMATE PIN/SKT 22-18 ASSY



TE Part #589597-000  
55A0831-24-9/93/96CS2275



TE Part #924309-000  
55PC0141-24-2/5/6/9



TE Part #86147-8  
MOD I POST PLTD 30 AU



TE Part #9-1633933-2  
ANVIL, COMBINATION



TE Part #227079-9  
COMM. BNC-PLUG



TE Part #YDTS20F21-16AC0000  
SQUARE FLANGE RECEPTACLE



TE Part #225094-1  
N SER BHD JACK WEATHERPROOF

## Documents

### CAD Files

3D PDF

3D

Customer View Model

[ENG\\_CVM\\_CVM\\_1SNK147062R0000\\_A.2d\\_dxf.zip](#)

English

Customer View Model

[ENG\\_CVM\\_CVM\\_1SNK147062R0000\\_A.3d\\_igs.zip](#)

English

Customer View Model

[ENG\\_CVM\\_CVM\\_1SNK147062R0000\\_A.3d\\_stp.zip](#)

English

By downloading the CAD file I accept and agree to the [Terms and Conditions](#) of use.

### Datasheets & Catalog Pages

[ENTRELEC Terminal Block - Master Catalog](#)

[ENTRELEC Terminal Block - Master Catalog](#)

English

1SNK147062R0000

Terminal Block & Strip Marking Accessories, Marker Card, 6 (x100) Mark Details,  
White, Vertical, -55 – 110 °C [-67 – 230 °F], UL 94V-2



[MC512PA 6 \(x100\) Vertical](#)

English

[SNK SERIES TERMINAL BLOCKS](#)

English

[ENTRELEC Terminal Blocks Catalogue \(RUS\)](#)