



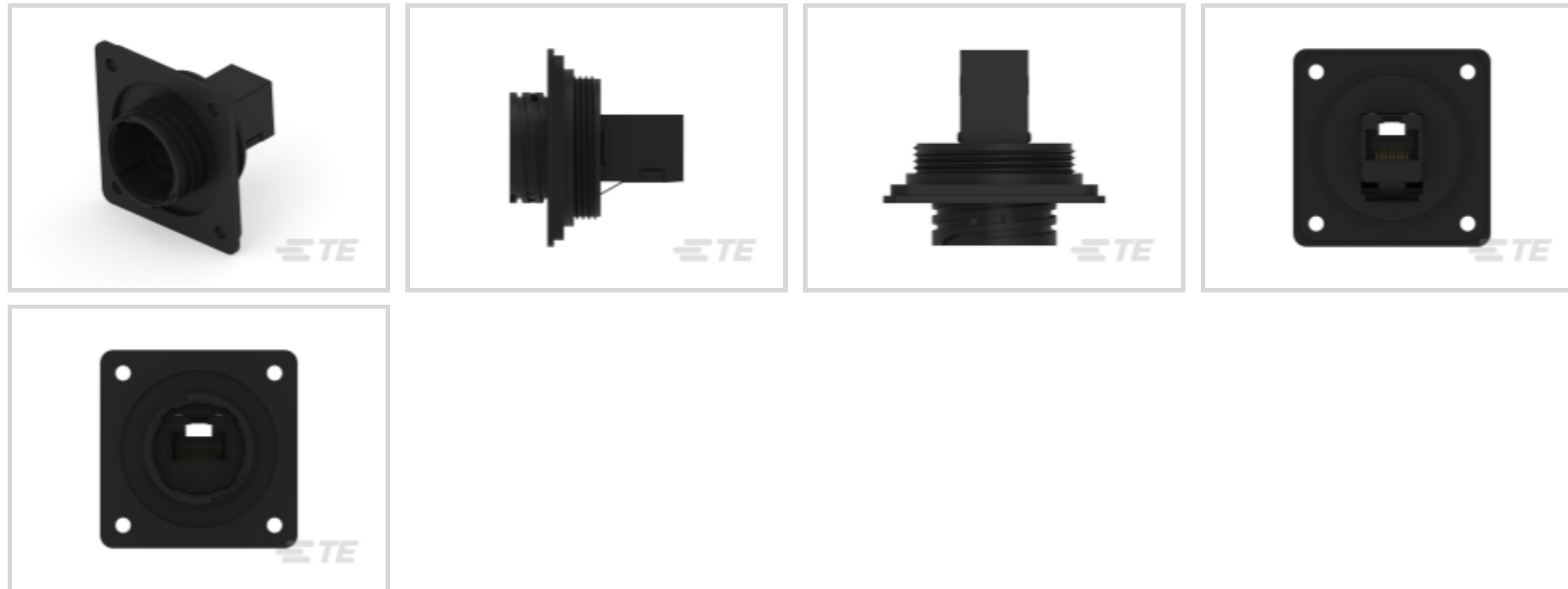
Industrial RJ45 CPC

TE Internal #: 1986172-1

RJ45 Connectors, Circular RJ45, Single Port, RJ Type Jacks & Plugs, Standard Connector Contact Density, Receptacle, Shielded, Industrial RJ45 CPC

[View on TE.com >](#)

Connectors > Modular Jacks & Plugs > RJ45 Connectors



Modular Jack & Plug Interface Type: **Circular RJ45**

Port Configuration: **Single Port**

Modular Jacks & Plugs Products: **RJ Type Jacks & Plugs**

Connector Contact Density: **Standard**

Modular Connector Style: **Receptacle**

**Features**

**Product Type Features**

Modular Jack & Plug Interface Type	Circular RJ45
Modular Jacks & Plugs Products	RJ Type Jacks & Plugs
Modular Connector Style	Receptacle
Connector & Contact Terminates To	Wire & Cable

**Configuration Features**

Status Indicator Type	None
Port Configuration	Single Port
Connector Contact Density	Standard
Number of Positions	1
Number of Loaded Positions	1

**Contact Features**

Contact Current Rating (Max)	1.5 A
Contact Mating Area Plating Material	Gold
Contact Base Material	Phosphor Bronze



Contact Mating Area Plating Material Thickness	1.27 $\mu\text{m}$ [50 $\mu\text{in}$ ]
--	---

### Mechanical Attachment

Connector Mounting Type	Cable Mount (Free-Hanging)
-------------------------	----------------------------

### Housing Features

Housing Material	6/6 Nylon
------------------	-----------

### Usage Conditions

Operating Temperature Range	-40 – 85 $^{\circ}\text{C}$ [-40 – 185 $^{\circ}\text{F}$ ]
-----------------------------	---

### Operation/Application

Shielded	Yes
Circuit Application	Power, Signal & High Speed Data

### Industry Standards

IP Rating	IP67
UL Flammability Rating	UL 94V-0
Performance Category	Cat 5e

### Packaging Features

Packaging Quantity	1
Packaging Method	Bag

### Product Compliance

[For compliance documentation, visit the product page on TE.com>](#)

EU RoHS Directive 2011/65/EU	Compliant
EU ELV Directive 2000/53/EC	Compliant
China RoHS 2 Directive MIIT Order No 32, 2016	No Restricted Materials Above Threshold
EU REACH Regulation (EC) No. 1907/2006	Current ECHA Candidate List: JUNE 2023 (235) Candidate List Declared Against: JAN 2023 (233) Does not contain REACH SVHC
Halogen Content	BFR/CFR/PVC Free, but Br/Cl >900 ppm in other sources.
Solder Process Capability	Not applicable for solder process capability

#### Product Compliance Disclaimer

This information is provided based on reasonable inquiry of our suppliers and represents our current actual knowledge based on the information they provided. This information is subject to change. The part numbers that TE has identified as

EU RoHS compliant have a maximum concentration of 0.1% by weight in homogenous materials for lead, hexavalent chromium, mercury, PBB, PBDE, DBP, BBP, DEHP, DIBP, and 0.01% for cadmium, or qualify for an exemption to these limits as defined in the Annexes of Directive 2011/65/EU (RoHS2). Finished electrical and electronic equipment products will be CE marked as required by Directive 2011/65/EU. Components may not be CE marked. Additionally, the part numbers that TE has identified as EU ELV compliant have a maximum concentration of 0.1% by weight in homogenous materials for lead, hexavalent chromium, and mercury, and 0.01% for cadmium, or qualify for an exemption to these limits as defined in the Annexes of Directive 2000/53/EC (ELV). Regarding the REACH Regulation, the information TE provides on SVHC in articles for this part number is based on the latest European Chemicals Agency (ECHA) 'Guidance on requirements for substances in articles' posted at this URL: <https://echa.europa.eu/guidance-documents/guidance-on-reach>

## Also in the Series | Industrial RJ45 CPC



RJ45 Connectors(2)

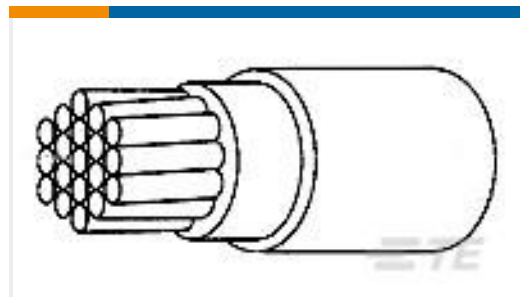
## Customers Also Bought



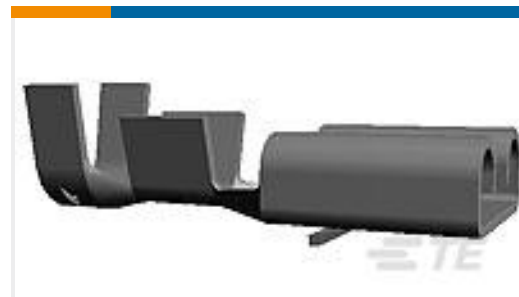
TE Part #207604-1  
METRIMATE,STR REL KIT,36P



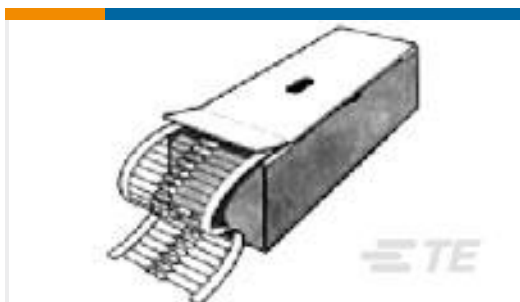
TE Part #207602-1  
METRIMATE,STR REL KIT,12P



TE Part #1936113001  
100G0111-2.50-9



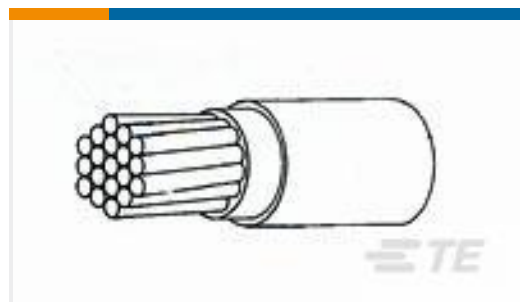
TE Part #160917-2  
FF 250 REC 1-2.5MM2 TPBR



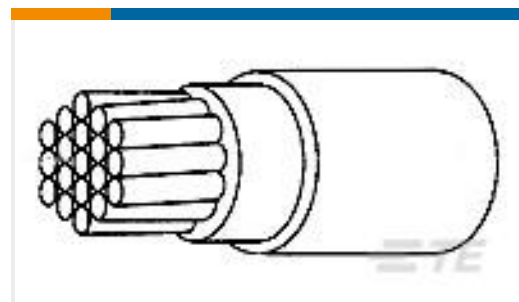
TE Part #2176045-6  
EP SW 47R 5%



TE Part #2103340-1  
HVA280 3 Bay Header Sub-Assy, KEY A,D,E



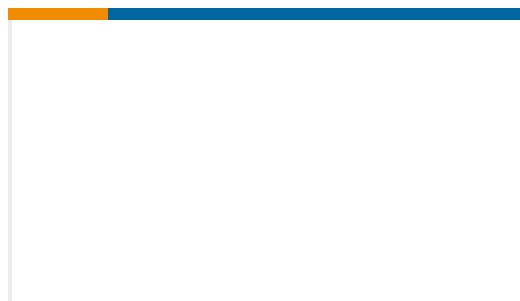
TE Part #2857593009  
44A0111-26-9



TE Part #3030213001  
100G0111-1.50-9



TE Part #206805-2  
AMPLIMITE RECEPT ASY,50 POS,



TE Part #CQ26773001  
100G0111-0.50-9CCK0226/5



## Documents

### Product Drawings

[PASSTHROUGH SHIELDED RECPT ASSY](#)

English

---

### CAD Files

Customer View Model

[ENG\\_CVM\\_CVM\\_1986172-1\\_A.2d\\_dxf.zip](#)

English

3D PDF

3D

Customer View Model

[ENG\\_CVM\\_CVM\\_1986172-1\\_A.3d\\_igs.zip](#)

English

Customer View Model

[ENG\\_CVM\\_CVM\\_1986172-1\\_A.3d\\_stp.zip](#)

English

By downloading the CAD file I accept and agree to the [Terms and Conditions](#) of use.

---

### Datasheets & Catalog Pages

[INDUSTRIAL\\_ETHERNET\\_PRODUCTS](#)

English

[Circular Plastic Connectors Series 45 Ethernet](#)

English

---

### Product Specifications

[Application Specification](#)

English

---

### Instruction Sheets

[Instruction Sheet \(U.S.\)](#)

English