

1971919-1 ✓ ACTIVE

SOLARLOK | SOLARLOK PV4-PM Connector

TE Internal #: 1971919-1

Solar Connectors & Adapters, DC/AC Converter Receptacle, Plug,
Copper Alloy, Neutral, 12 AWG Wire Size, 4 mm² Wire Size,
SOLARLOK PV4-PM Connector

[View on TE.com >](#)



Energy & Power > Solar & Photovoltaics > Solar Connectors & Adapters > SOLARLOK PV4-S DC Crimp Connectors



Solar Connector Type: **DC/AC Converter Receptacle**

Solar Connector Style: **Plug**

Contact Base Material: **Copper Alloy**

Solar Connector & Adapter Keying: **Neutral**

Wire Size: **12 AWG**

[All SOLARLOK PV4-S DC Crimp Connectors \(50\)](#)

Features

Product Type Features

Product Type	Connector
Solar Connector Type	DC/AC Converter Receptacle
Solar Connector Style	Plug

Configuration Features

Solar Connector & Adapter Keying	Neutral
----------------------------------	---------

Contact Features

Contact Finish	Tin
Contact Base Material	Copper Alloy

Housing Features

Housing Color	Black
Housing Material	Polycarbonate (PC)

Dimensions



Wire Size	4 mm ²
-----------	-------------------

Industry Standards

Agency/Standard	UL
IP Rating	IP68

Packaging Features

Packaging Quantity	100
--------------------	-----

Product Compliance

[For compliance documentation, visit the product page on TE.com>](#)

EU RoHS Directive 2011/65/EU	Compliant
EU ELV Directive 2000/53/EC	Compliant
China RoHS 2 Directive MIIT Order No 32, 2016	No Restricted Materials Above Threshold
EU REACH Regulation (EC) No. 1907/2006	Current ECHA Candidate List: JUNE 2023 (235) Candidate List Declared Against: JAN 2021 (211) Does not contain REACH SVHC
Halogen Content	BFR/CFR/PVC Free, but Br/Cl >900 ppm in other sources.
Solder Process Capability	Not applicable for solder process capability

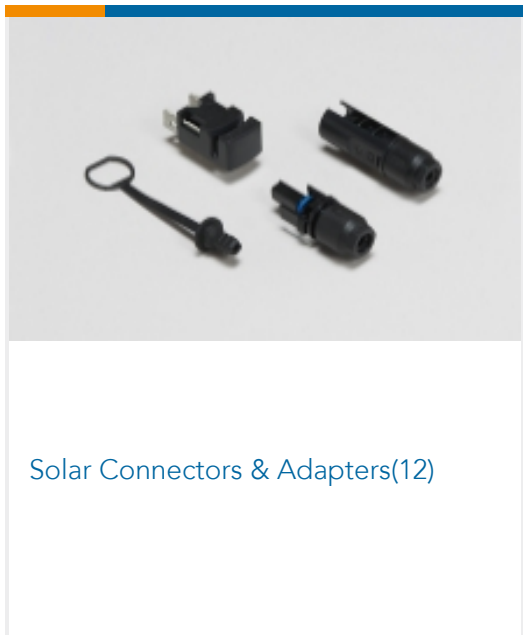
Product Compliance Disclaimer

This information is provided based on reasonable inquiry of our suppliers and represents our current actual knowledge based on the information they provided. This information is subject to change. The part numbers that TE has identified as EU RoHS compliant have a maximum concentration of 0.1% by weight in homogenous materials for lead, hexavalent chromium, mercury, PBB, PBDE, DBP, BBP, DEHP, DIBP, and 0.01% for cadmium, or qualify for an exemption to these limits as defined in the Annexes of Directive 2011/65/EU (RoHS2). Finished electrical and electronic equipment products will be CE marked as required by Directive 2011/65/EU. Components may not be CE marked. Additionally, the part numbers that TE has identified as EU ELV compliant have a maximum concentration of 0.1% by weight in homogenous materials for lead, hexavalent chromium, and mercury, and 0.01% for cadmium, or qualify for an exemption to these limits as defined in the Annexes of Directive 2000/53/EC (ELV). Regarding the REACH Regulation, the information TE provides on SVHC in articles for this part number is based on the latest European Chemicals Agency (ECHA) 'Guidance on requirements for substances in articles' posted at this URL: <https://echa.europa.eu/guidance-documents/guidance-on-reach>

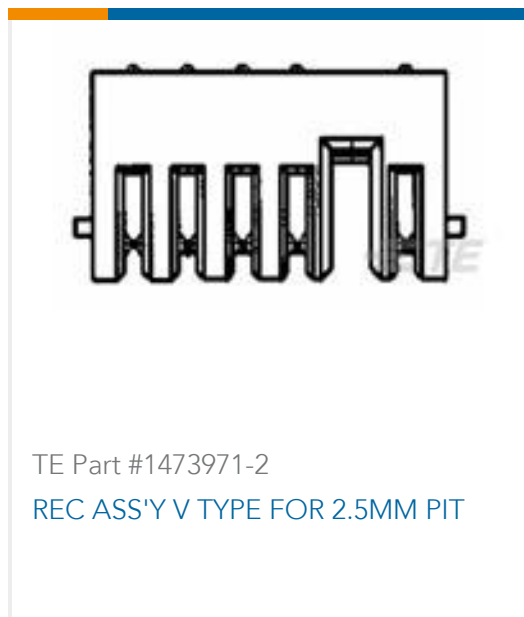
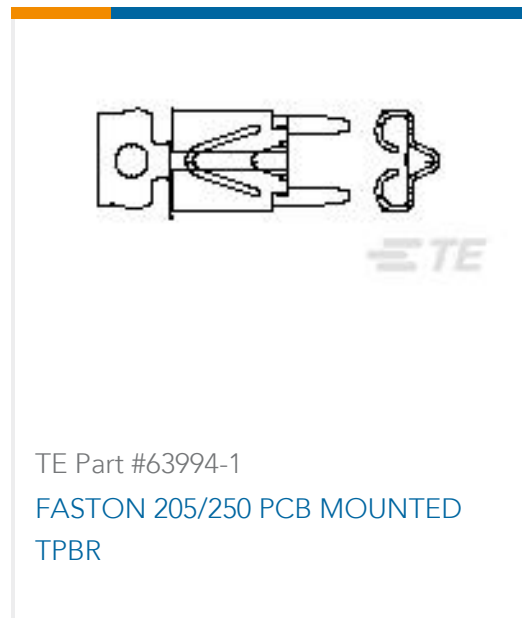
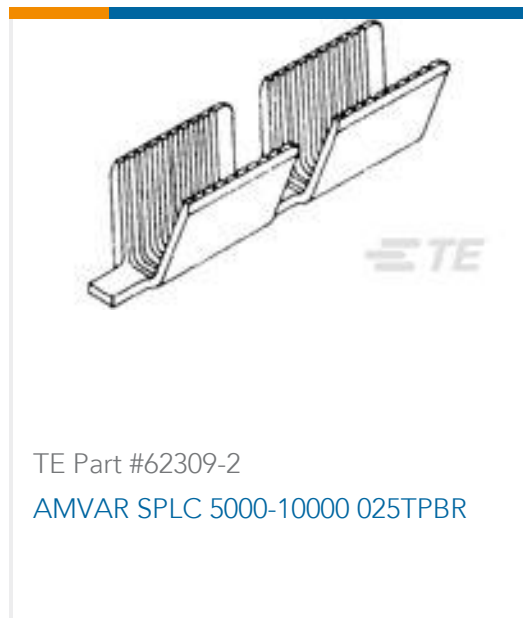
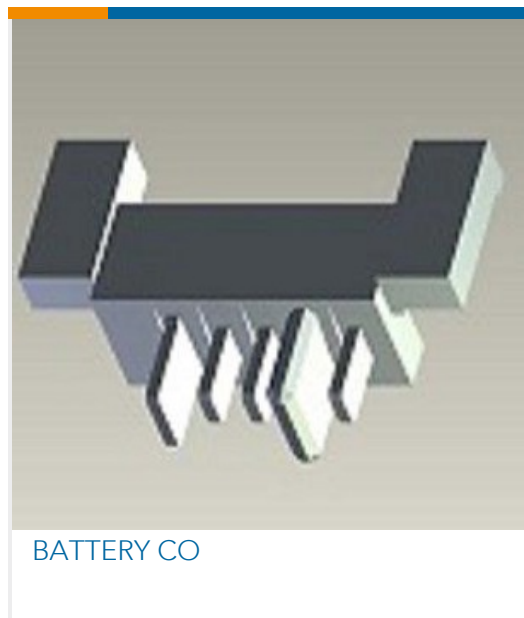
Compatible Parts



Also in the Series | SOLARLOK PV4-PM Connector



Customers Also Bought



Documents

Product Drawings

[PIN KITS, PV4 PANEL MOUNTED CONNECTOR](#)

English

CAD Files

[3D PDF](#)

[3D](#)



Customer View Model

[ENG_CVM_CVM_1971919-1_B.2d_dxf.zip](#)

English

Customer View Model

[ENG_CVM_CVM_1971919-1_B.3d_igs.zip](#)

English

Customer View Model

[ENG_CVM_CVM_1971919-1_B.3d_stp.zip](#)

English

By downloading the CAD file I accept and agree to the [Terms and Conditions](#) of use.

Datasheets & Catalog Pages

[SOLARLOK PV4-PM CONNECTOR 1000V DC](#)

English

[1-1773888-9 SolarCatalog](#)

English

Product Specifications

[Application Specification](#)

English

Agency Approvals

[TUV Certificate](#)

English

[TUV Certificate](#)

English