



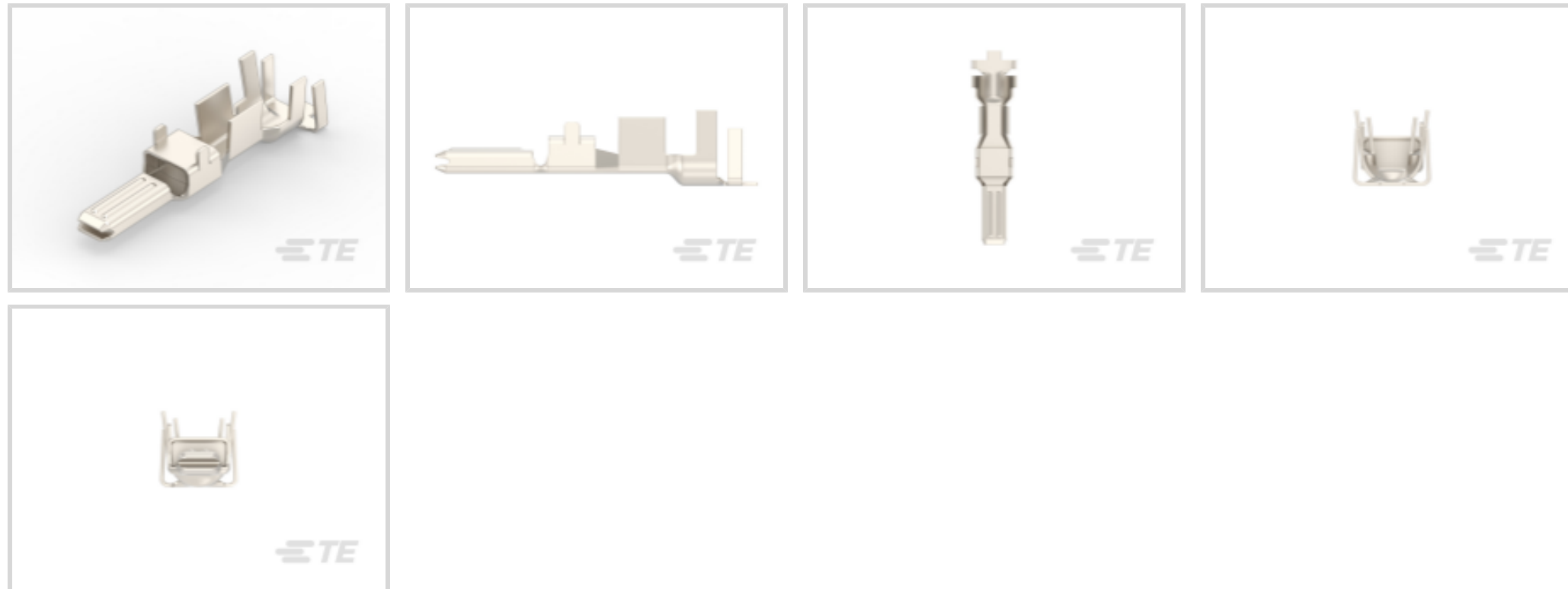
**Power Triple Lock**

TE Internal #: 1971782-2

Power Contacts, Contact, 600 VAC, 600 VDC, Tin, 14 AWG Wire Size, 2 mm<sup>2</sup> Wire Size, Wire & Cable, Crimp, Power, Tab, Power Triple Lock

[View on TE.com >](#)

Connectors > Power Connectors > Power Contacts > Tab Contact — POWER TRIPLE LOCK



Power Contact Type: **Contact**

Operating Voltage: **600 VDC**

Contact Mating Area Plating Material: **Tin**

Wire Size: **14 AWG**

**All Tab Contact — POWER TRIPLE LOCK (12)**

**Features**

**Product Type Features**

Power Contact Type	Contact
Connector & Contact Terminates To	Wire & Cable

**Electrical Characteristics**

Operating Voltage	600 VDC
-------------------	---------

**Contact Features**

Contact Mating Area Plating Material	Tin
Contact Current Rating (Max)	15 A
Contact Type	Tab
Contact Retention Within Housing	Without
Mating Tab Width	2.7 mm[.106 in]
Mating Tab Thickness	1.63 mm[.064 in]
Contact Base Material	Copper Alloy
Wire Contact Termination Area Plating Thickness	.8 – 1.5 μm[31.49 – 59 μin]



Wire Contact Termination Area Plating Material	Pre-Tin
Wire Contact Termination Area Plating Material Finish	Bright
Contact Orientation	Straight

#### Termination Features

Termination Method to Wire & Cable	Crimp
------------------------------------	-------

#### Mechanical Attachment

Wire Insulation Support	With
-------------------------	------

#### Dimensions

Wire Size	2 mm <sup>2</sup>
Compatible Insulation Diameter Range	3.4 – 3.7 mm [.134 – .146 in]

#### Usage Conditions

Operating Temperature Range	-55 – 150 °C [-67 – 302 °F]
-----------------------------	-----------------------------

#### Operation/Application

Circuit Application	Power
---------------------	-------

#### Industry Standards

Agency/Standard	UL, VDE
-----------------	---------

#### Packaging Features

Packaging Method	Reel
------------------	------

#### Other

Power Connectors Comment	Complies with IEC 61984 Specification
--------------------------	---------------------------------------

#### Product Compliance

[For compliance documentation, visit the product page on TE.com>](#)

EU RoHS Directive 2011/65/EU	Compliant
EU ELV Directive 2000/53/EC	Compliant
China RoHS 2 Directive MIIT Order No 32, 2016	No Restricted Materials Above Threshold
EU REACH Regulation (EC) No. 1907/2006	Current ECHA Candidate List: JUNE 2023 (235) Candidate List Declared Against: JUNE 2023 (235) Does not contain REACH SVHC
Halogen Content	Low Halogen - Br, Cl, F, I < 900 ppm per homogenous material. Also BFR/CFR/PVC Free

Solder Process Capability

Not reviewed for solder process capability

Product Compliance Disclaimer

This information is provided based on reasonable inquiry of our suppliers and represents our current actual knowledge based on the information they provided. This information is subject to change. The part numbers that TE has identified as EU RoHS compliant have a maximum concentration of 0.1% by weight in homogenous materials for lead, hexavalent chromium, mercury, PBB, PBDE, DBP, BBP, DEHP, DIBP, and 0.01% for cadmium, or qualify for an exemption to these limits as defined in the Annexes of Directive 2011/65/EU (RoHS2). Finished electrical and electronic equipment products will be CE marked as required by Directive 2011/65/EU. Components may not be CE marked. Additionally, the part numbers that TE has identified as EU ELV compliant have a maximum concentration of 0.1% by weight in homogenous materials for lead, hexavalent chromium, and mercury, and 0.01% for cadmium, or qualify for an exemption to these limits as defined in the Annexes of Directive 2000/53/EC (ELV). Regarding the REACH Regulation, the information TE provides on SVHC in articles for this part number is based on the latest European Chemicals Agency (ECHA) 'Guidance on requirements for substances in articles' posted at this URL: <https://echa.europa.eu/guidance-documents/guidance-on-reach>

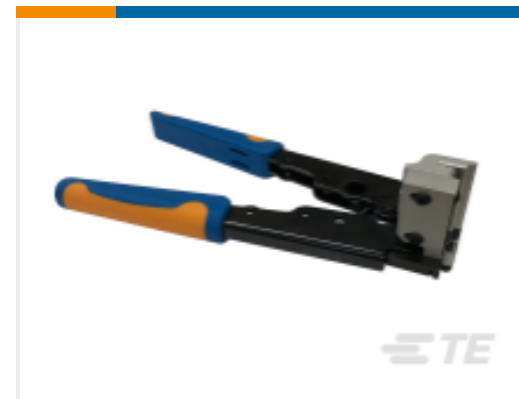
## Compatible Parts



TE Part # CAT-P87074-C1701A  
POWER TRIPLE LOCK High Temperature Caps



TE Part # 1452426-1  
EXTRACTION TOOL



TE Part # 2305570-1  
Strip Terminal Cutter-Side Feed-No Crimp



TE Part # 2151742-1  
OCEAN\_2.0\_APPLICATION-S-090F160F



TE Part # 2151742-2  
OCEAN\_2.0\_APPLICATION-S-090F160F



TE Part # 2217266-1  
SDE COMMERCIAL TOOL AND DIE



TE Part # 2217266-2  
SDE COMMERCIAL TOOL AND DIE



TE Part # 7-2151742-1  
OCEAN\_2.0\_APPLICATION-S-090F160F



TE Part # 7-2151742-2  
OCEAN\_2.0\_APPLICATION-S-090F160F



TE Part # 7-2151742-7  
OCEAN\_2.0\_SPARE\_PART\_KIT-090F160F



TE Part # 2-2151742-1  
OCEAN\_2.0\_APPLICATION-S-090F160F

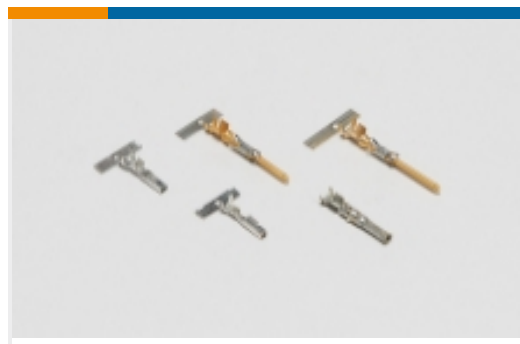


TE Part # 2-2151742-2  
OCEAN\_2.0\_APPLICATION-S-090F160F

Also in the Series | [Power Triple Lock](#)



Insertion & Extraction Tools(1)



Power Contacts(30)



Rectangular Connector Locking(12)



Rectangular Power Connectors(300)

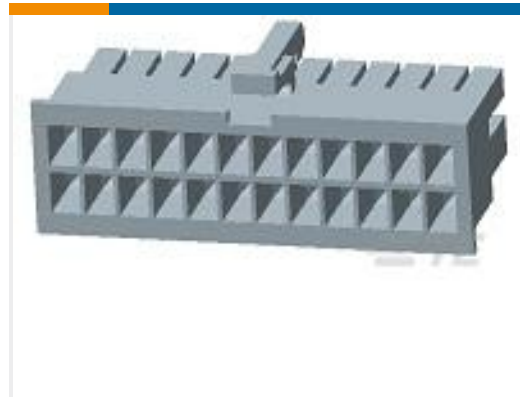
## Customers Also Bought



TE Part #1971785-2  
Receptacle Contact — POWER TRIPLE LOCK



TE Part #1742543-1  
250 FASTON, FLAG, REC., 18-12 AWG, NPST



TE Part #2-1969614-0  
20P RCPT VAL-U-LOK V0



TE Part #1742626-1  
250 FASTON, FLAG, REC., 16-14 AWG, NPST



TE Part #2-35771-1  
TERMINAL, SOLIS R 12-10 10



TE Part #1-1879350-5  
RR01 5% R82 AMMO



TE Part #5-1971875-3  
PTL 3X3 CAP PANEL MT HITEMP KEY A LGR

## Documents

### Product Drawings

[PTL TAB CONTACT, 14 AWG](#)

English

[PTL TAB CONTACT, 14 AWG](#)

English

[PTL TAB CONTACT, 14 AWG](#)

English

### CAD Files

[3D PDF](#)

3D

[Customer View Model](#)

[ENG\\_CVM\\_CVM\\_1971782-2\\_E.2d\\_dxf.zip](#)

English

[Customer View Model](#)

[ENG\\_CVM\\_CVM\\_1971782-2\\_E.3d\\_igs.zip](#)

English



### Customer View Model

[ENG\\_CVM\\_CVM\\_1971782-2\\_E.3d\\_stp.zip](#)

English

By downloading the CAD file I accept and agree to the [Terms and Conditions](#) of use.

### Datasheets & Catalog Pages

[1-1773734-9 TE Power Triple Lock Quick Reference Guide - German](#)

German

[9-1773465-1 Power Triple Lock QRG](#)

English

### Product Specifications

[Application Specification](#)

English

### Product Environmental Compliance

[TE Material Declaration](#)

English

### Instruction Sheets

[Instruction Sheet \(U.S.\)](#)

English

### Agency Approvals

[VDE Certificate](#)

English

[VDE Certificate](#)

English